

DATA SHEET



Three Phase Induction Motor - Squirrel Cage

Customer	: Dealers Industrial Equipment 800-469-3110
Customer reference	: 05036OP3VFP324TS-W40

Product line	: W40 High Efficiency Three-Phase	Product code :	14491069
		Catalog # :	05036OP3VFP324TS-W40

Frame	: 324TS	Locked rotor time	: 36s (cold) 20s (hot)
Output	: 50 HP (37 kW)	Temperature rise	: 105 K
Poles	: 2	Duty cycle	: Cont.(S1)
Frequency	: 60 Hz	Ambient temperature	: -20°C to +40°C
Rated voltage	: 200/400 V	Altitude	: 1000 m.a.s.l.
Rated current	: 134/67.2 A	Protection degree	: IP23
L. R. Amperes	: 779/390 A	Cooling method	: IC01 - ODP
LRC	: 5.8x(Code F)	Mounting	: F-1
No load current	: 38.9/19.4 A	Rotation ¹	: Both (CW and CCW)
Rated speed	: 3555 rpm	Starting method	: Direct On Line
Slip	: 1.25 %	Approx. weight ³	: 425 lb
Rated torque	: 72.9 ft.lb		
Locked rotor torque	: 170 %		
Breakdown torque	: 200 %		
Insulation class	: F		
Service factor	: 1.15		
Moment of inertia (J)	: 3.01 sq.ft.lb		
Design	: B		

Output	25%	50%	75%	100%	Foundation loads
Efficiency (%)	91.5	91.7	92.4	92.4	Max. traction
Power Factor	0.54	0.78	0.84	0.86	Max. compression

		<u>Drive end</u>	<u>Non drive end</u>
Bearing type	:	6312 Z C3	6211 Z C3
Sealing	:	Without Bearing Seal	Without Bearing Seal
Lubrication interval	:	19658 h	20000 h
Lubricant amount	:	21 g	11 g
Lubricant type	:	Mobil Polyrex EM	

Notes
downloaded from <http://dealerselectric.com>

This revision replaces and cancel the previous one, which must be eliminated. (1) Looking the motor from the shaft end. (2) Measured at 1m and with tolerance of +3dB(A). (3) Approximate weight subject to changes after manufacturing process. (4) At 100% of full load.	These are average values based on tests with sinusoidal power supply, subject to the tolerances stipulated in NEMA MG-1.
--	--

Rev.	Changes Summary	Performed	Checked	Date
Performed by		Page 1 / 2		Revision
Checked by				
Date	14/04/2019			

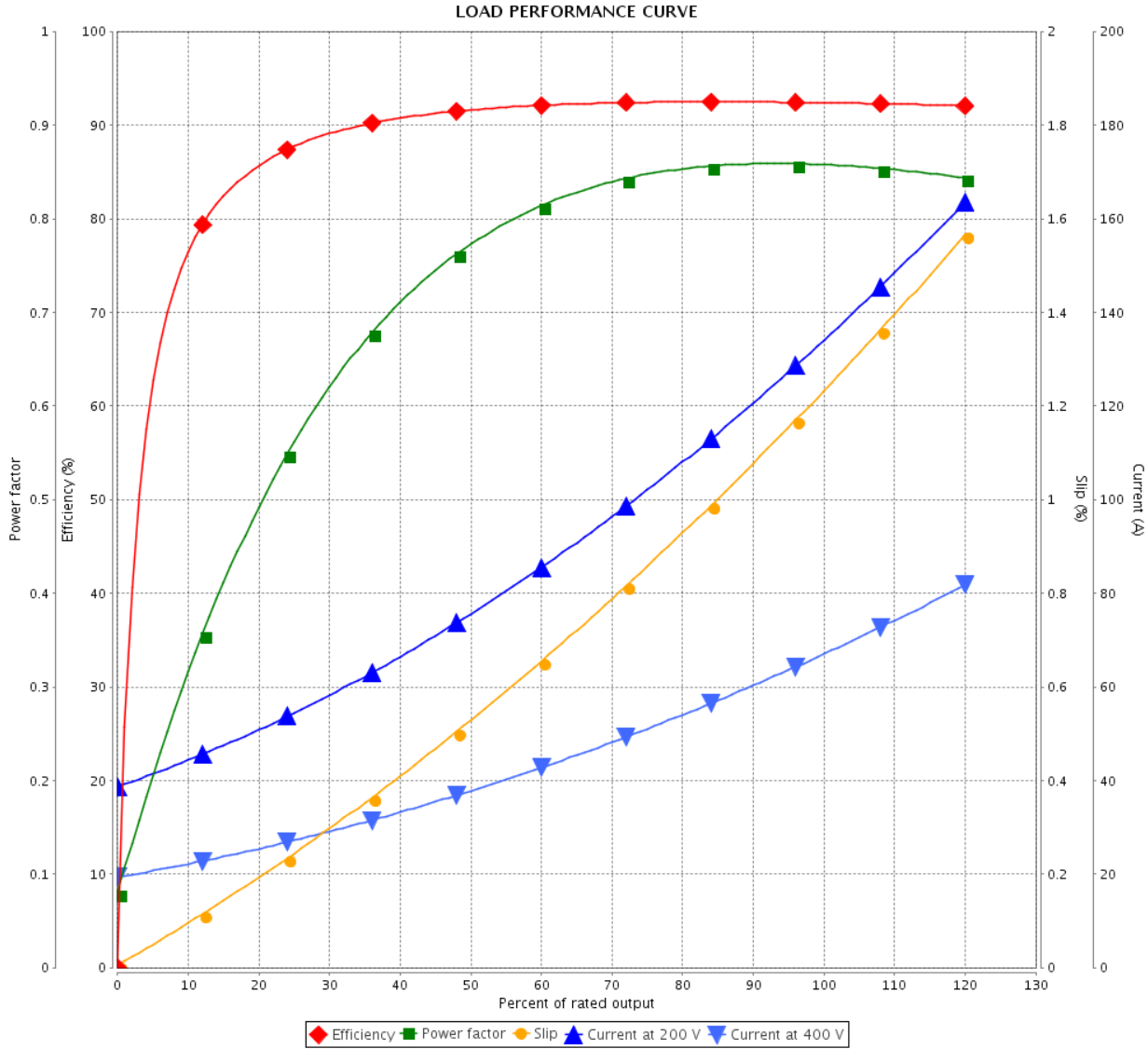
LOAD PERFORMANCE CURVE



Three Phase Induction Motor - Squirrel Cage

Customer : Dealers Industrial Equipment 800-469-3110
 Customer reference : 05036OP3VFP324TS-W40

Product line : W40 High Efficiency Three-Phase Product code : 14491069
 Catalog # : 05036OP3VFP324TS-W40



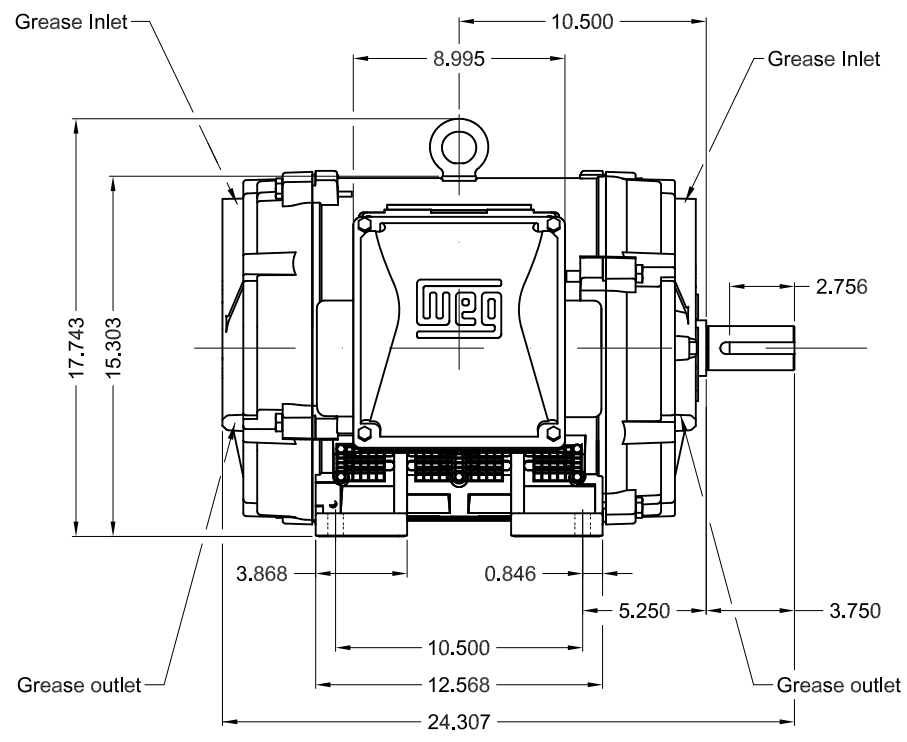
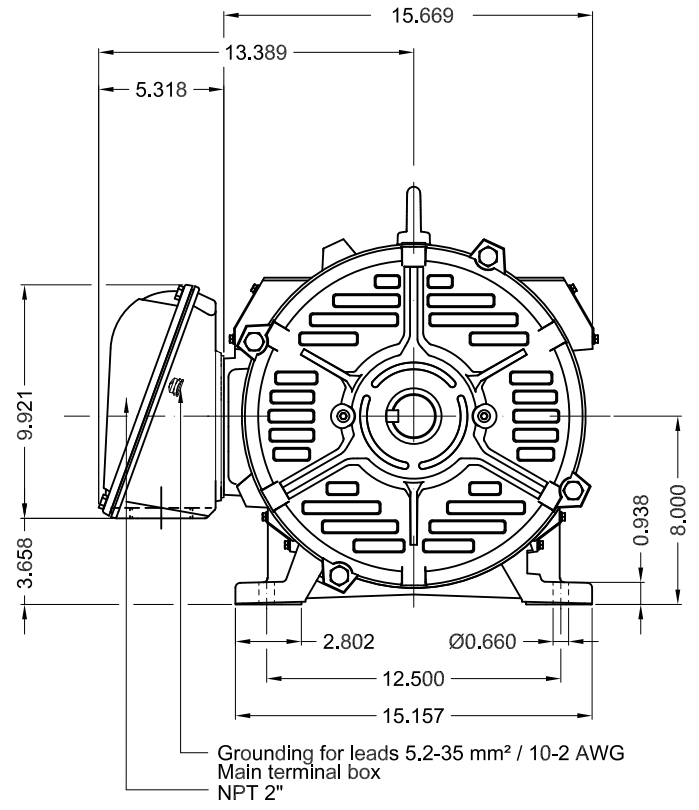
Performance : 200/400 V 60 Hz 2P

Rated current : 134/67.2 A	Moment of inertia (J) : 3.01 sq.ft.lb
LRC : 5.8	Duty cycle : Cont.(S1)
Rated torque : 72.9 ft.lb	Insulation class : F
Locked rotor torque : 170 %	Service factor : 1.15
Breakdown torque : 200 %	Temperature rise : 105 K
Rated speed : 3555 rpm	Design : B

Rev.	Changes Summary	Performed	Checked	Date
Performed by			Page 2 / 2	Revision
Checked by				
Date	14/04/2019			

Dimensões em polegada
Dimensions in inches

THIS IS AN UPDATED REVISION, THE
PREVIOUS ONE MUST BE DISREGARDED.



Color RAL 3002		Painting plan 203A		Mounting B3R(D)		SCALE		1:8		
ECM	LOC	SUMMARY OF MODIFICATIONS				EXECUTED	CHECKED	RELEASED	DATE	VER
EXECUTED	USERADMIN	THREE PHASE W40 MOTOR HIGH EFF								
CHECKED		FRAME 324TS IP23 ODP								
RELEASED		WEG code: 14491069								
REL DT	14.04.2019	WMO	Jaragua do Sul	Product Engineering	SHEET	1 / 1				

50 HP 02 Poles 60Hz

A

