

# DATA SHEET



## Three Phase Induction Motor - Squirrel Cage

Customer : Dealers Industrial Equipment 800-469-3110  
 Customer reference : 04018OP3EFP324TS-W40

Product line : W40 High Efficiency Three-Phase      Product code : 14490726  
 Catalog # : 04018OP3EFP324TS-W40

Frame	: 324TS	Locked rotor time	: 36s (cold) 20s (hot)
Output	: 40 HP (30 kW)	Temperature rise	: 105 K
Poles	: 4	Duty cycle	: Cont.(S1)
Frequency	: 60 Hz	Ambient temperature	: -20°C to +40°C
Rated voltage	: 208-230/460 V	Altitude	: 1000 m.a.s.l.
Rated current	: 107-96.4/48.2 A	Protection degree	: IP23
L. R. Amperes	: 640-578/289 A	Cooling method	: IC01 - ODP
LRC	: 6.0x(Code G)	Mounting	: F-1
No load current	: 31.0-36.0/18.0 A	Rotation <sup>1</sup>	: Both (CW and CCW)
Rated speed	: 1775 rpm	Starting method	: Direct On Line
Slip	: 1.39 %	Approx. weight <sup>3</sup>	: 437 lb
Rated torque	: 117 ft.lb		
Locked rotor torque	: 180 %		
Breakdown torque	: 210 %		
Insulation class	: F		
Service factor	: 1.15		
Moment of inertia (J)	: 5.37 sq.ft.lb		
Design	: B		

Output	25%	50%	75%	100%	Foundation loads
Efficiency (%)	92.2	92.4	93.0	93.0	Max. traction
Power Factor	0.46	0.72	0.81	0.84	Max. compression

	Drive end	Non drive end
Bearing type	: 6312 Z C3	6211 Z C3
Sealing	: Without Bearing Seal	Without Bearing Seal
Lubrication interval	: 20000 h	20000 h
Lubricant amount	: 21 g	11 g
Lubricant type	: Mobil Polyrex EM	

Notes  
 downloaded from <http://dealerselectric.com>

This revision replaces and cancel the previous one, which must be eliminated.  
 (1) Looking the motor from the shaft end.  
 (2) Measured at 1m and with tolerance of +3dB(A).  
 (3) Approximate weight subject to changes after manufacturing process.  
 (4) At 100% of full load.

These are average values based on tests with sinusoidal power supply, subject to the tolerances stipulated in NEMA MG-1.

Rev.	Changes Summary	Performed	Checked	Date
Performed by		Page		Revision
Checked by		1 / 2		
Date	14/04/2019			

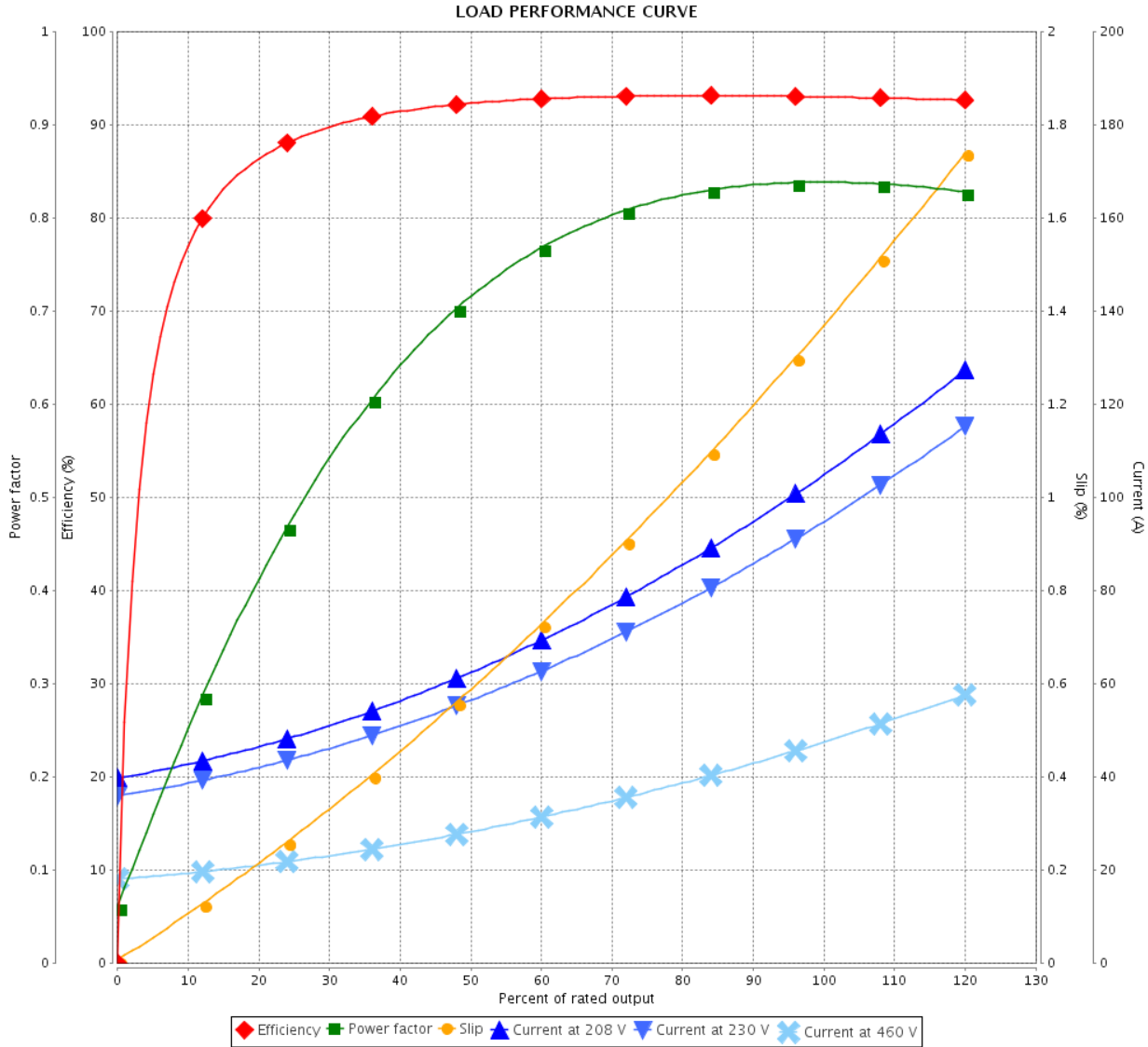
# LOAD PERFORMANCE CURVE



## Three Phase Induction Motor - Squirrel Cage

Customer : Dealers Industrial Equipment 800-469-3110  
 Customer reference : 04018OP3EFP324TS-W40

Product line : W40 High Efficiency Three-Phase      Product code : 14490726  
 Catalog # : 04018OP3EFP324TS-W40



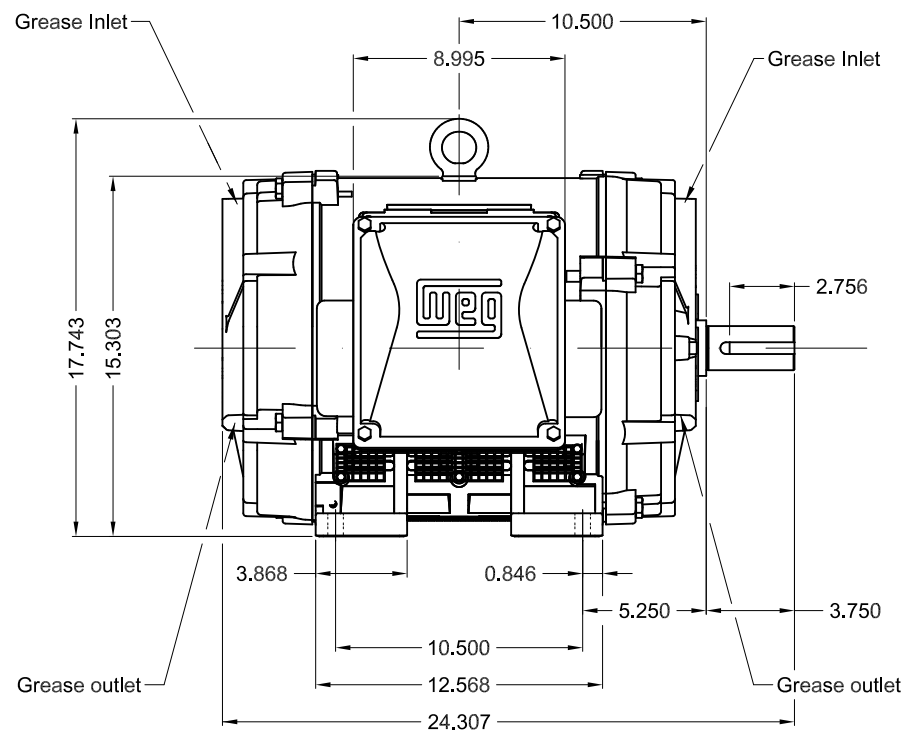
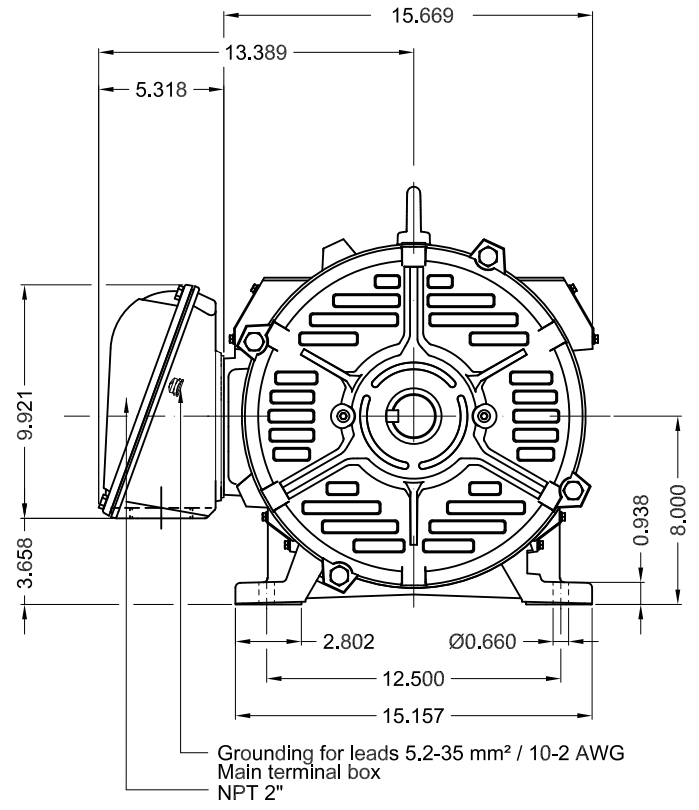
Performance : 208-230/460 V 60 Hz 4P

Rated current : 107-96.4/48.2 A	Moment of inertia (J) : 5.37 sq.ft.lb
LRC : 6.0	Duty cycle : Cont.(S1)
Rated torque : 117 ft.lb	Insulation class : F
Locked rotor torque : 180 %	Service factor : 1.15
Breakdown torque : 210 %	Temperature rise : 105 K
Rated speed : 1775 rpm	Design : B

Rev.	Changes Summary	Performed	Checked	Date
Performed by			Page 2 / 2	Revision
Checked by				
Date	14/04/2019			

Dimensões em polegada  
Dimensions in inches

THIS IS AN UPDATED REVISION, THE  
PREVIOUS ONE MUST BE DISREGARDED.



TS shaft end						
Color RAL 3002						
Painting plan 203A						
Mounting B3R(D)						
					SCALE	1:8
ECM	LOC	SUMMARY OF MODIFICATIONS			EXECUTED	CHECKED
EXECUTED	USERADMIN	THREE PHASE W40 MOTOR HIGH EFF				
CHECKED		FRAME 324TS IP23 ODP				
RELEASED		WEG code: 14490726				
REL DT	14.04.2019	WMO	Jaragua do Sul	Product Engineering	SHEET	1 / 1

40 HP 04 Poles 60Hz

A



ZME A3