

DATA SHEET



Three Phase Induction Motor - Squirrel Cage

Customer : Dealers Industrial Equipment 800-469-3110
 Customer reference : 05036OT3H324JP-W40

Product line : W40 JP Pump NEMA Premium Efficiency Three-Phase Product code : 14490302
 Catalog # : 05036OT3H324JP-W40

Frame : 324JP	Locked rotor time : 25s (cold) 14s (hot)
Output : 50 HP (37 kW)	Temperature rise : 80 K
Poles : 2	Duty cycle : Cont.(S1)
Frequency : 60 Hz	Ambient temperature : -20°C to +40°C
Rated voltage : 575 V	Altitude : 1000 m.a.s.l.
Rated current : 47.0 A	Protection degree : IP23
L. R. Amperes : 296 A	Cooling method : IC01 - ODP
LRC : 6.3x(Code G)	Mounting : F-1
No load current : 14.8 A	Rotation ¹ : Both (CW and CCW)
Rated speed : 3560 rpm	Noise level ² : 75.0 dB(A)
Slip : 1.11 %	Starting method : Direct On Line
Rated torque : 72.8 ft.lb	Approx. weight ³ : 450 lb
Locked rotor torque : 200 %	
Breakdown torque : 220 %	
Insulation class : F	
Service factor : 1.25	
Moment of inertia (J) : 3.02 sq.ft.lb	
Design : B	

Output	25%	50%	75%	100%	Foundation loads
Efficiency (%)	91.5	91.7	93.0	93.0	Max. traction
Power Factor	0.50	0.73	0.82	0.85	Max. compression

	<u>Drive end</u>	<u>Non drive end</u>
Bearing type :	6312 Z C3	6211 Z C3
Sealing :	Without Bearing Seal	Without Bearing Seal
Lubrication interval :	19658 h	20000 h
Lubricant amount :	21 g	11 g
Lubricant type :	Mobil Polyrex EM	

Notes
 downloaded from <http://dealerselectric.com>

This revision replaces and cancel the previous one, which must be eliminated.
 (1) Looking the motor from the shaft end.
 (2) Measured at 1m and with tolerance of +3dB(A).
 (3) Approximate weight subject to changes after manufacturing process.
 (4) At 100% of full load.

These are average values based on tests with sinusoidal power supply, subject to the tolerances stipulated in NEMA MG-1.

Rev.	Changes Summary	Performed	Checked	Date
Performed by				
Checked by			Page	Revision
Date	14/04/2019		1 / 2	

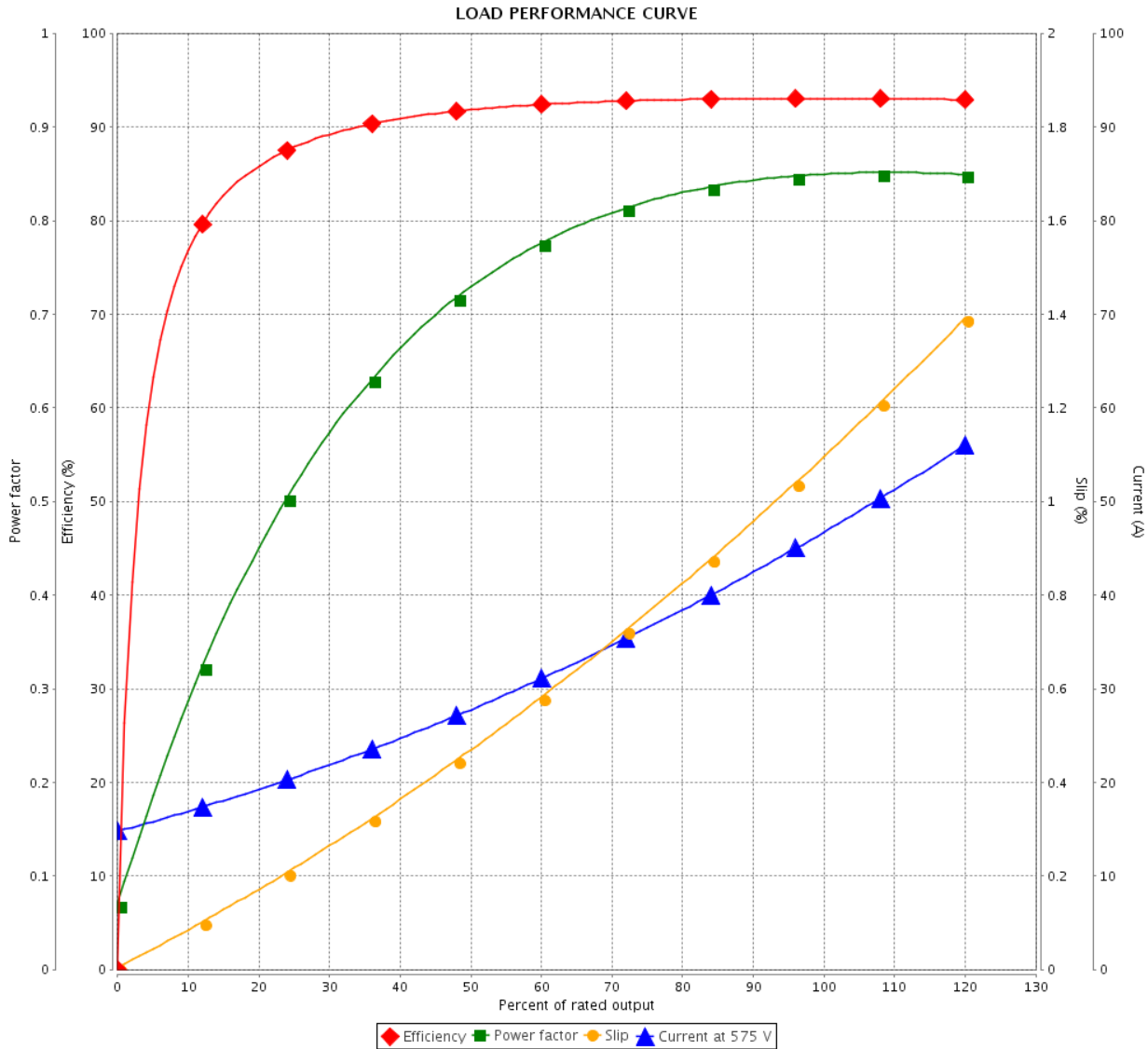
LOAD PERFORMANCE CURVE



Three Phase Induction Motor - Squirrel Cage

Customer : Dealers Industrial Equipment 800-469-3110
 Customer reference : 05036OT3H324JP-W40

Product line : W40 JP Pump NEMA Premium Efficiency Three-Phase Product code : 14490302
 Catalog # : 05036OT3H324JP-W40



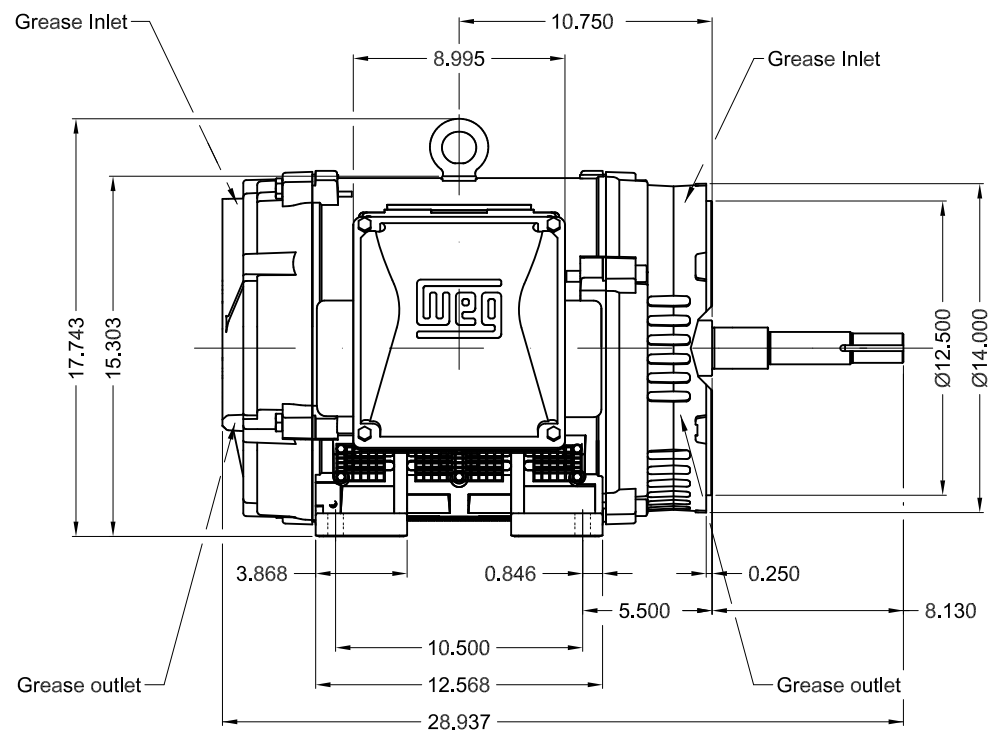
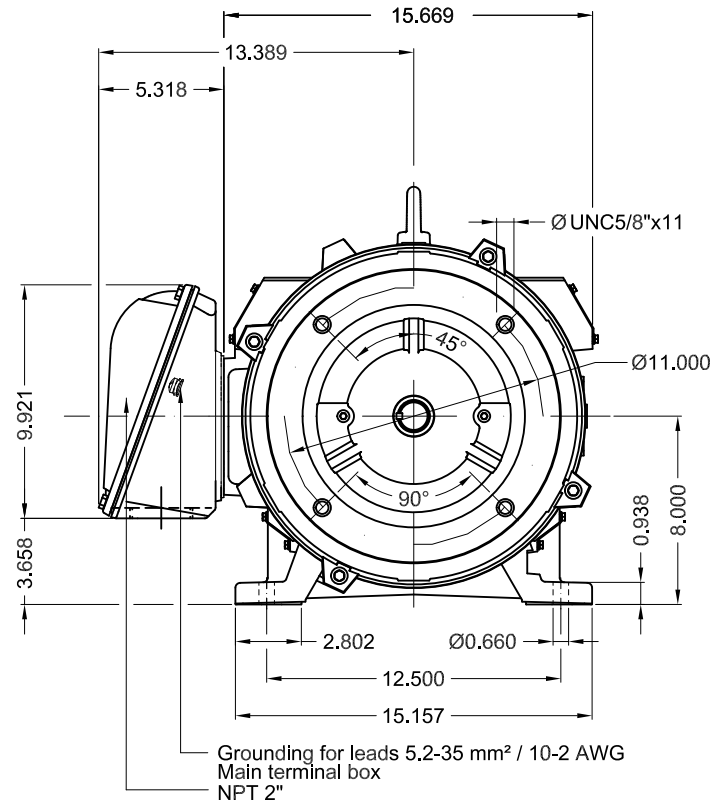
Performance : 575 V 60 Hz 2P

Rated current : 47.0 A	Moment of inertia (J) : 3.02 sq.ft.lb
LRC : 6.3	Duty cycle : Cont.(S1)
Rated torque : 72.8 ft.lb	Insulation class : F
Locked rotor torque : 200 %	Service factor : 1.25
Breakdown torque : 220 %	Temperature rise : 80 K
Rated speed : 3560 rpm	Design : B

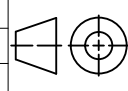
Rev.	Changes Summary	Performed	Checked	Date
Performed by			Page	Revision
Checked by			2 / 2	
Date	14/04/2019			

Dimensões em polegada
Dimensions in inches

THIS IS AN UPDATED REVISION, THE
PREVIOUS ONE MUST BE DISREGARDED.



Color RAL 5009
Painting plan 203A
Mounting B34R(D)

					SCALE	1:8		
ECM	LOC	SUMMARY OF MODIFICATIONS		EXECUTED	CHECKED	RELEASED	DATE	VER
EXECUTED	USERADMIN		THREE PHASE W40 MOTOR NEMA PREMIUM EFF					
CHECKED			FRAME 324JP IP23 ODP					
RELEASED			CLOSE COUPLED PUMP JP TYPE W					
REL DT	14.04.2019	WMO	Jaragua do Sul	Product Engineering	SHEET	1 / 1		

50 HP 02 Poles 60Hz

A

