

DATA SHEET



Three Phase Induction Motor - Squirrel Cage

Customer : Dealers Industrial Equipment 800-469-3110
 Customer reference : 05036OT3E324JP-W40

Product line : W40 JP Pump NEMA Premium Efficiency Three-Phase Product code : 14490226
 Catalog # : 05036OT3E324JP-W40

| | |
|---------------------------------------|---|
| Frame : 324JP | Locked rotor time : 25s (cold) 14s (hot) |
| Output : 50 HP (37 kW) | Temperature rise : 80 K |
| Poles : 2 | Duty cycle : Cont.(S1) |
| Frequency : 60 Hz | Ambient temperature : -20°C to +40°C |
| Rated voltage : 208-230/460 V | Altitude : 1000 m.a.s.l. |
| Rated current : 130-117/58.7 A | Protection degree : IP23 |
| L. R. Amperes : 818-740/370 A | Cooling method : IC01 - ODP |
| LRC : 6.3x(Code G) | Mounting : F-1 |
| No load current : 31.9-37.0/18.5 A | Rotation ¹ : Both (CW and CCW) |
| Rated speed : 3560 rpm | Noise level ² : 75.0 dB(A) |
| Slip : 1.11 % | Starting method : Direct On Line |
| Rated torque : 72.8 ft.lb | Approx. weight ³ : 443 lb |
| Locked rotor torque : 200 % | |
| Breakdown torque : 220 % | |
| Insulation class : F | |
| Service factor : 1.25 | |
| Moment of inertia (J) : 3.02 sq.ft.lb | |
| Design : B | |

| | | | | | |
|----------------|------|------|------|------|------------------|
| Output | 25% | 50% | 75% | 100% | Foundation loads |
| Efficiency (%) | 91.5 | 91.7 | 93.0 | 93.0 | Max. traction |
| Power Factor | 0.50 | 0.73 | 0.82 | 0.85 | Max. compression |

| | | |
|------------------------|----------------------|----------------------|
| | <u>Drive end</u> | <u>Non drive end</u> |
| Bearing type : | 6312 Z C3 | 6211 Z C3 |
| Sealing : | Without Bearing Seal | Without Bearing Seal |
| Lubrication interval : | 19658 h | 20000 h |
| Lubricant amount : | 21 g | 11 g |
| Lubricant type : | Mobil Polyrex EM | |

Notes
 downloaded from <http://dealerselectric.com>

This revision replaces and cancel the previous one, which must be eliminated.
 (1) Looking the motor from the shaft end.
 (2) Measured at 1m and with tolerance of +3dB(A).
 (3) Approximate weight subject to changes after manufacturing process.
 (4) At 100% of full load.

These are average values based on tests with sinusoidal power supply, subject to the tolerances stipulated in NEMA MG-1.

| | | | | |
|--------------|-----------------|-----------|---------|----------|
| Rev. | Changes Summary | Performed | Checked | Date |
| Performed by | | | | |
| Checked by | | | Page | Revision |
| Date | 14/04/2019 | | 1 / 2 | |

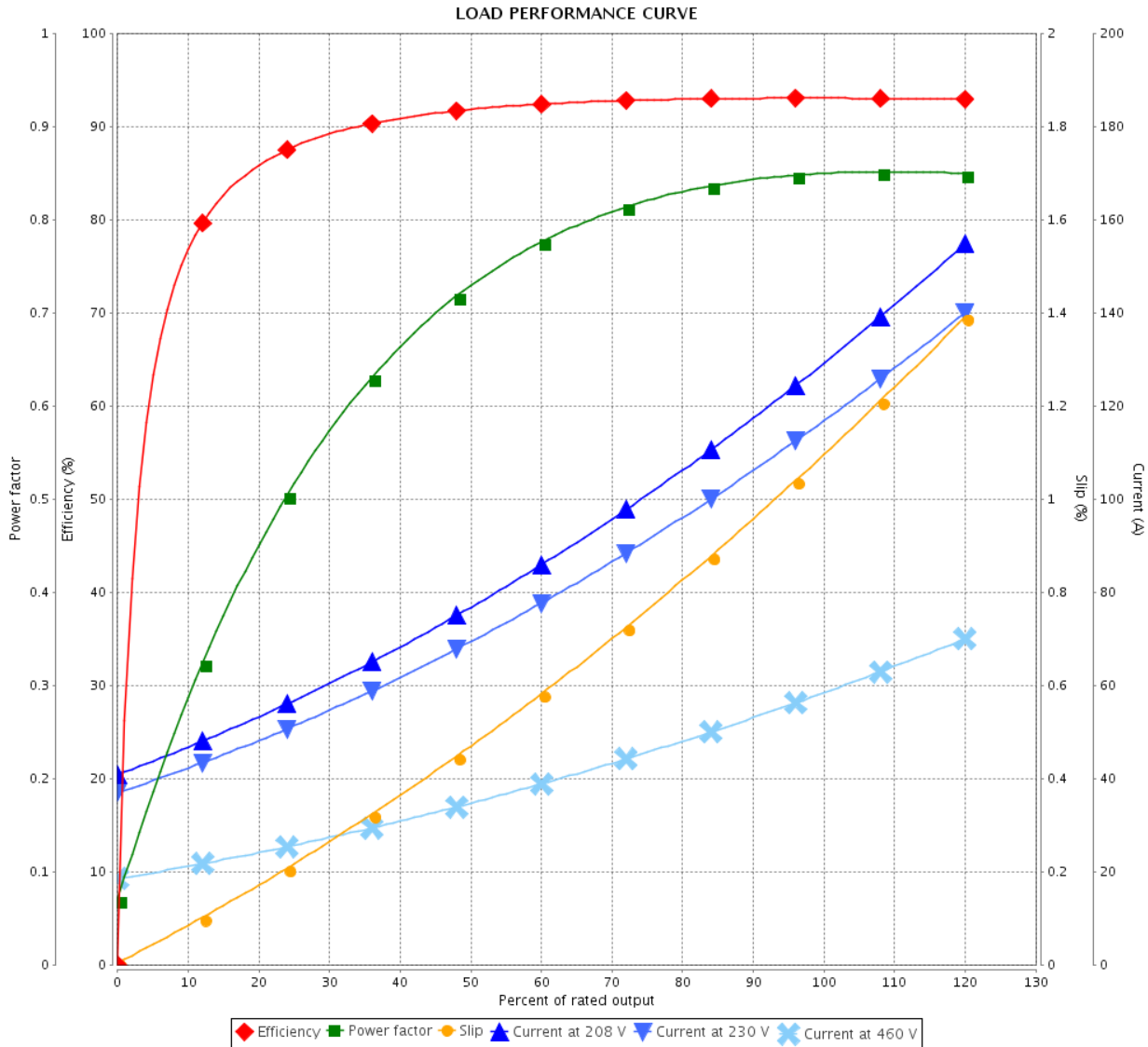
LOAD PERFORMANCE CURVE



Three Phase Induction Motor - Squirrel Cage

Customer : Dealers Industrial Equipment 800-469-3110
 Customer reference : 05036OT3E324JP-W40

Product line : W40 JP Pump NEMA Premium Efficiency Three-Phase Product code : 14490226
 Catalog # : 05036OT3E324JP-W40



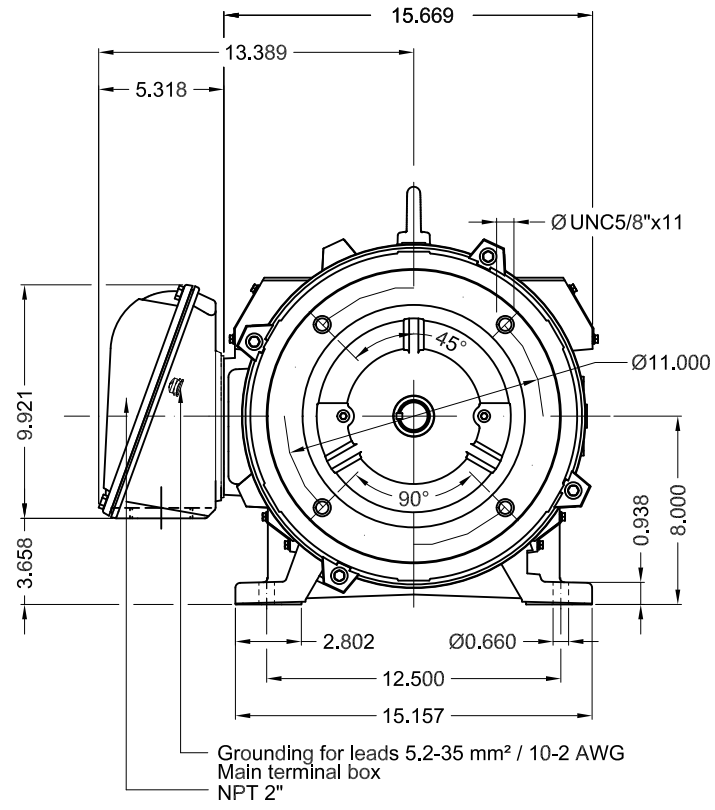
Performance : 208-230/460 V 60 Hz 2P

| | |
|--------------------------------|---------------------------------------|
| Rated current : 130-117/58.7 A | Moment of inertia (J) : 3.02 sq.ft.lb |
| LRC : 6.3 | Duty cycle : Cont.(S1) |
| Rated torque : 72.8 ft.lb | Insulation class : F |
| Locked rotor torque : 200 % | Service factor : 1.25 |
| Breakdown torque : 220 % | Temperature rise : 80 K |
| Rated speed : 3560 rpm | Design : B |

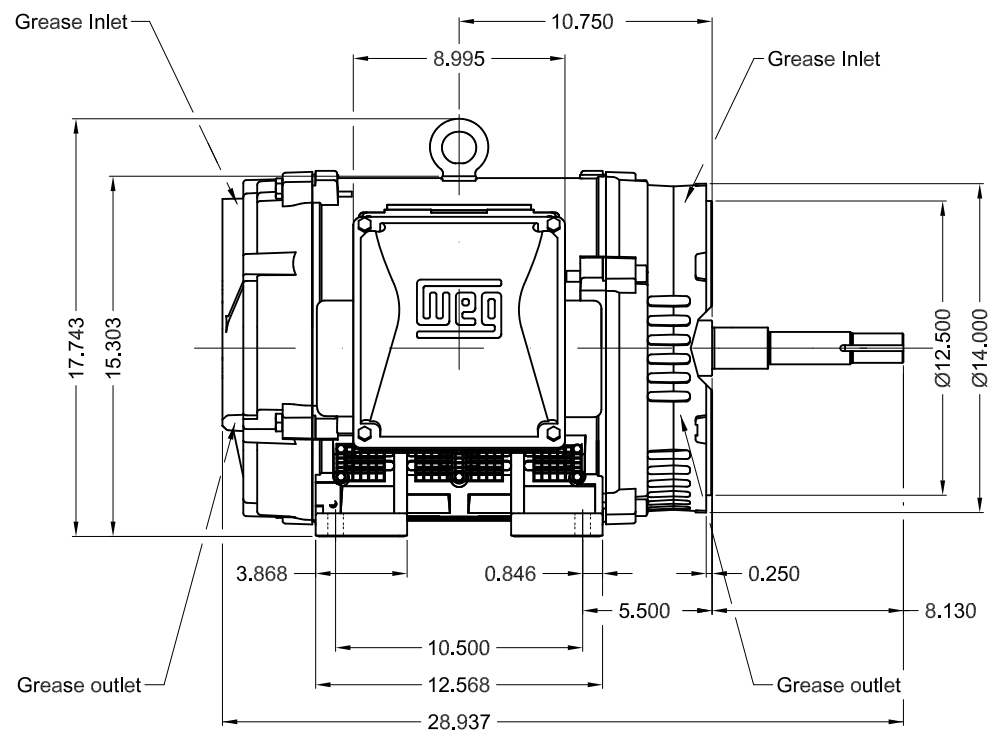
| Rev. | Changes Summary | Performed | Checked | Date |
|--------------|-----------------|-----------|---------|----------|
| | | | | |
| Performed by | | | Page | Revision |
| Checked by | | | | |
| Date | | | | |

Dimensões em polegada
Dimensions in inches

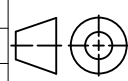
THIS IS AN UPDATED REVISION, THE
PREVIOUS ONE MUST BE DISREGARDED.



Grounding for leads 5.2-35 mm² / 10-2 AWG
Main terminal box
NPT 2"



Color RAL 5009
Painting plan 203A
Mounting B34R(D)

| | | | | | SCALE | 1:8 | | |
|----------|------------|---|--|---------------------|---------|----------|------|-----|
| ECM | LOC | SUMMARY OF MODIFICATIONS | | EXECUTED | CHECKED | RELEASED | DATE | VER |
| EXECUTED | USERADMIN |  | THREE PHASE W40 MOTOR NEMA PREMIUM EFF | | | | | |
| CHECKED | | | FRAME 324JP IP23 ODP | | | | | |
| RELEASED | | | CLOSE COUPLED PUMP JP TYPE W | | | | | |
| REL DT | 14.04.2019 | WMO | Jaragua do Sul | Product Engineering | SHEET | 1 / 1 | | |



50 HP 02 Poles 60Hz

A