

DATA SHEET



Three Phase Induction Motor - Squirrel Cage

Customer		: Dealers Industrial Equipment 800-469-3110			
Customer reference		: 04036OT3E286JP-W40			
Product line		: W40 JP Pump NEMA Premium Efficiency Three-Phase		Product code : 14487052	
				Catalog # : 04036OT3E286JP-W40	
Frame		: 284/6JP		Locked rotor time	
Output		: 40 HP (30 kW)		: 14s (cold) 8s (hot)	
Poles		: 2		Temperature rise	
Frequency		: 60 Hz		: 80 K	
Rated voltage		: 208-230/460 V		Duty cycle	
Rated current		: 104-93.6/46.8 A		: Cont.(S1)	
L. R. Amperes		: 673-608/304 A		Ambient temperature	
LRC		: 6.5x(Code G)		: -20°C to +40°C	
No load current		: 25.7-29.8/14.9 A		Altitude	
Rated speed		: 3540 rpm		: 1000 m.a.s.l.	
Slip		: 1.67 %		Protection degree	
Rated torque		: 58.5 ft.lb		: IP23	
Locked rotor torque		: 190 %		Cooling method	
Breakdown torque		: 260 %		: IC01 - ODP	
Insulation class		: F		Mounting	
Service factor		: 1.25		: F-1	
Moment of inertia (J)		: 2.02 sq.ft.lb		Rotation ¹	
Design		: B		: Both (CW and CCW)	
				Noise level ²	
				: 73.0 dB(A)	
				Starting method	
				: Direct On Line	
				Approx. weight ³	
				: 366 lb	
Output	25%	50%	75%	100%	Foundation loads
Efficiency (%)	91.5	91.7	92.4	92.4	Max. traction
Power Factor	0.51	0.76	0.84	0.87	Max. compression
		<u>Drive end</u>		<u>Non drive end</u>	
Bearing type		: 6311 Z C3		6211 Z C3	
Sealing		: Without Bearing Seal		Without Bearing Seal	
Lubrication interval		: 20000 h		20000 h	
Lubricant amount		: 18 g		11 g	
Lubricant type		: Mobil Polyrex EM			
Notes					
downloaded from http://dealerselectric.com					
This revision replaces and cancel the previous one, which must be eliminated.			These are average values based on tests with sinusoidal power supply, subject to the tolerances stipulated in NEMA MG-1.		
(1) Looking the motor from the shaft end.					
(2) Measured at 1m and with tolerance of +3dB(A).					
(3) Approximate weight subject to changes after manufacturing process.					
(4) At 100% of full load.					
Rev.	Changes Summary			Performed	Checked
Performed by					
Checked by					
Date	14/04/2019			Page	Revision
				1 / 2	

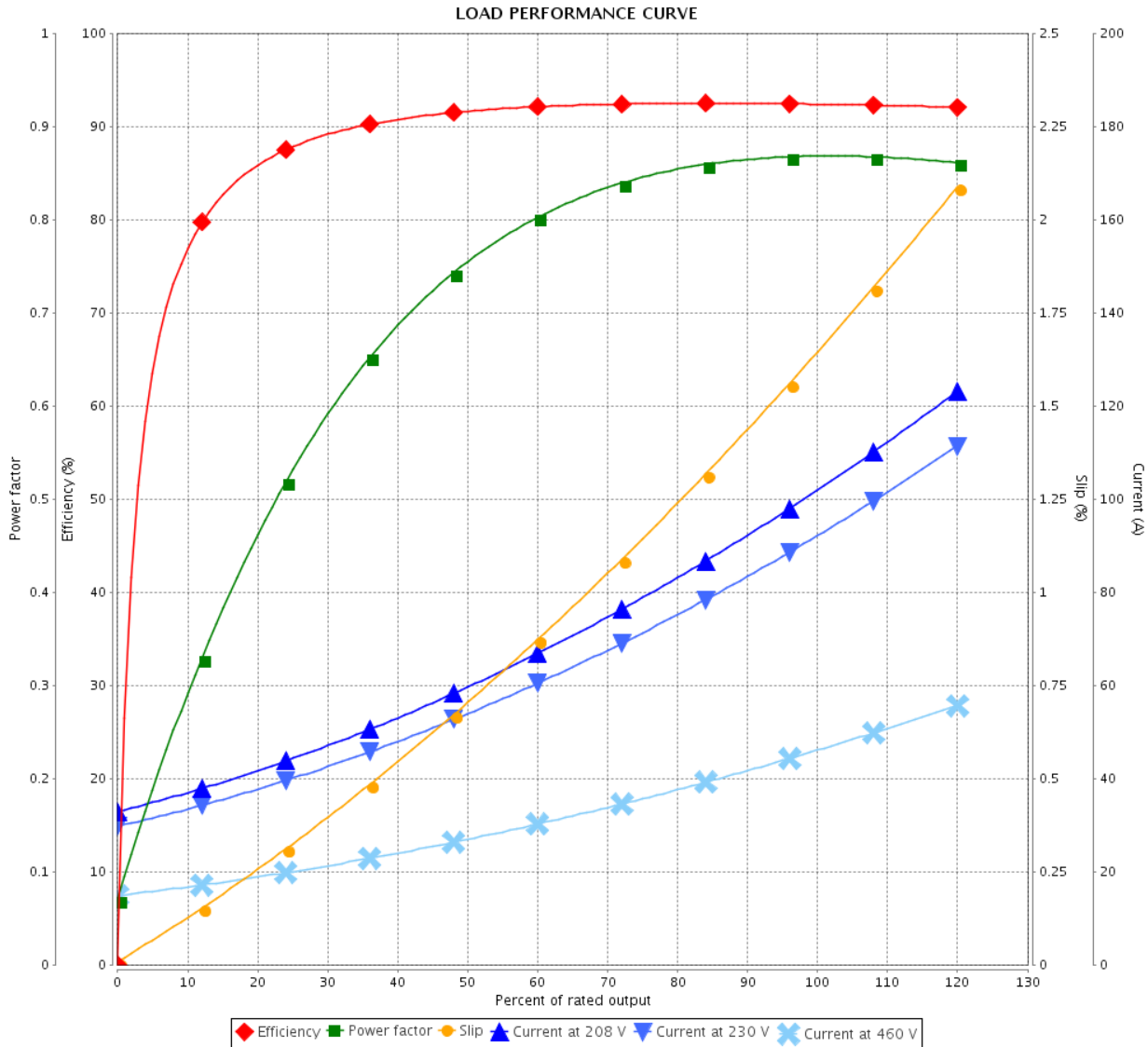
LOAD PERFORMANCE CURVE



Three Phase Induction Motor - Squirrel Cage

Customer : Dealers Industrial Equipment 800-469-3110
 Customer reference : 04036OT3E286JP-W40

Product line : W40 JP Pump NEMA Premium Efficiency Three-Phase Product code : 14487052
 Catalog # : 04036OT3E286JP-W40



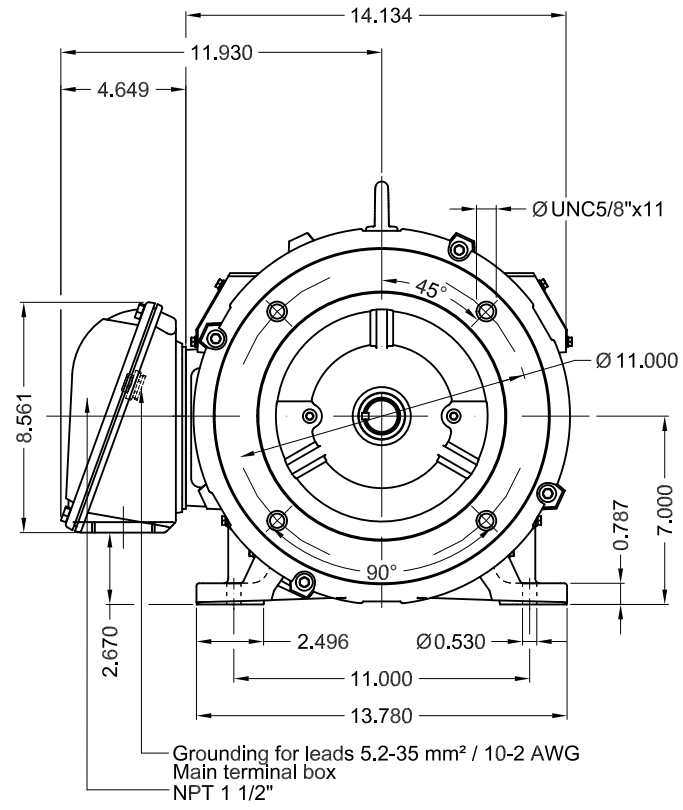
Performance : 208-230/460 V 60 Hz 2P

Rated current : 104-93.6/46.8 A	Moment of inertia (J) : 2.02 sq.ft.lb
LRC : 6.5	Duty cycle : Cont.(S1)
Rated torque : 58.5 ft.lb	Insulation class : F
Locked rotor torque : 190 %	Service factor : 1.25
Breakdown torque : 260 %	Temperature rise : 80 K
Rated speed : 3540 rpm	Design : B

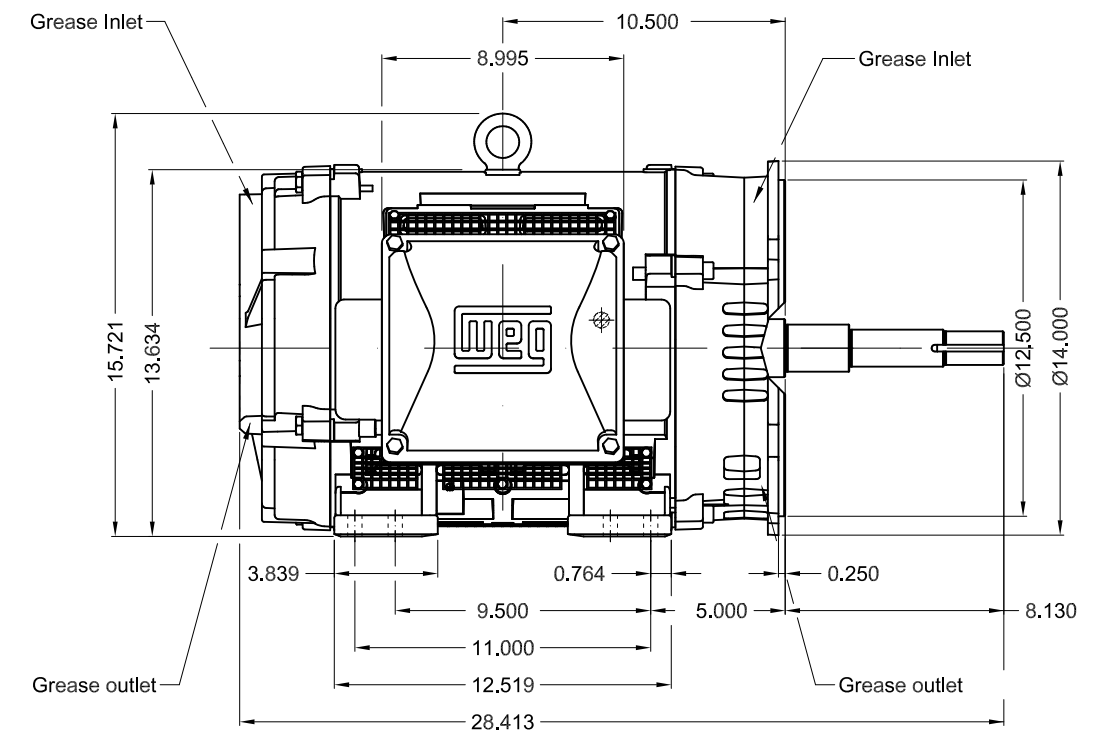
Rev.	Changes Summary	Performed	Checked	Date
Performed by			Page	Revision
Checked by				
Date				

Dimensões em polegada
Dimensions in inches

THIS IS AN UPDATED REVISION, THE
PREVIOUS ONE MUST BE DISREGARDED.



Grounding for leads 5.2-35 mm² / 10-2 AWG
Main terminal box
NPT 1 1/2"



Color RAL 5009										
Painting plan 203A										
Mounting B34R(D)										
								SCALE	1:7	
ECM	LOC	SUMMARY OF MODIFICATIONS				EXECUTED	CHECKED	RELEASED	DATE	VER
EXECUTED	USERADMIN	THREE PHASE W40 MOTOR NEMA PREMIUM EFF								
CHECKED		FRAME 284/6JP IP23 ODP								
RELEASED		CLOSE COUPLED PUMP JP TYPE W								
REL DT	14.04.2019	WMO	Jaragua do Sul	Product Engineering	SHEET	1 / 1				

40 HP 02 Poles 60Hz

A

