

# DATA SHEET



## Three Phase Induction Motor - Squirrel Cage

Customer : Dealers Industrial Equipment 800-469-3110  
Customer reference : 03036OT3H284JP-W40

Product line : W40 JP Pump NEMA Premium      Product code : 14486867  
Efficiency Three-Phase      Catalog # : 03036OT3H284JP-W40

Frame	: 284JP	Locked rotor time	: 18s (cold) 10s (hot)
Output	: 30 HP (22 kW)	Temperature rise	: 80 K
Poles	: 2	Duty cycle	: Cont.(S1)
Frequency	: 60 Hz	Ambient temperature	: -20°C to +40°C
Rated voltage	: 575 V	Altitude	: 1000 m.a.s.l.
Rated current	: 28.0 A	Protection degree	: IP23
L. R. Amperes	: 176 A	Cooling method	: IC01 - ODP
LRC	: 6.3x(Code G)	Mounting	: F-1
No load current	: 10.3 A	Rotation <sup>1</sup>	: Both (CW and CCW)
Rated speed	: 3545 rpm	Noise level <sup>2</sup>	: 73.0 dB(A)
Slip	: 1.53 %	Starting method	: Direct On Line
Rated torque	: 43.8 ft.lb	Approx. weight <sup>3</sup>	: 324 lb
Locked rotor torque	: 180 %		
Breakdown torque	: 280 %		
Insulation class	: F		
Service factor	: 1.25		
Moment of inertia (J)	: 1.59 sq.ft.lb		
Design	: B		

Output	25%	50%	75%	100%	Foundation loads
Efficiency (%)	90.0	90.2	91.7	91.7	Max. traction
Power Factor	0.47	0.73	0.82	0.86	Max. compression

	<u>Drive end</u>	<u>Non drive end</u>
Bearing type	: 6311 Z C3	6211 Z C3
Sealing	: Without Bearing Seal	Without Bearing Seal
Lubrication interval	: 20000 h	20000 h
Lubricant amount	: 18 g	11 g
Lubricant type	: Mobil Polyrex EM	

Notes  
downloaded from <http://dealerselectric.com>

This revision replaces and cancel the previous one, which must be eliminated.  
(1) Looking the motor from the shaft end.  
(2) Measured at 1m and with tolerance of +3dB(A).  
(3) Approximate weight subject to changes after manufacturing process.  
(4) At 100% of full load.

These are average values based on tests with sinusoidal power supply, subject to the tolerances stipulated in NEMA MG-1.

Rev.	Changes Summary	Performed	Checked	Date
Performed by				
Checked by			Page	Revision
Date	14/04/2019		1 / 2	

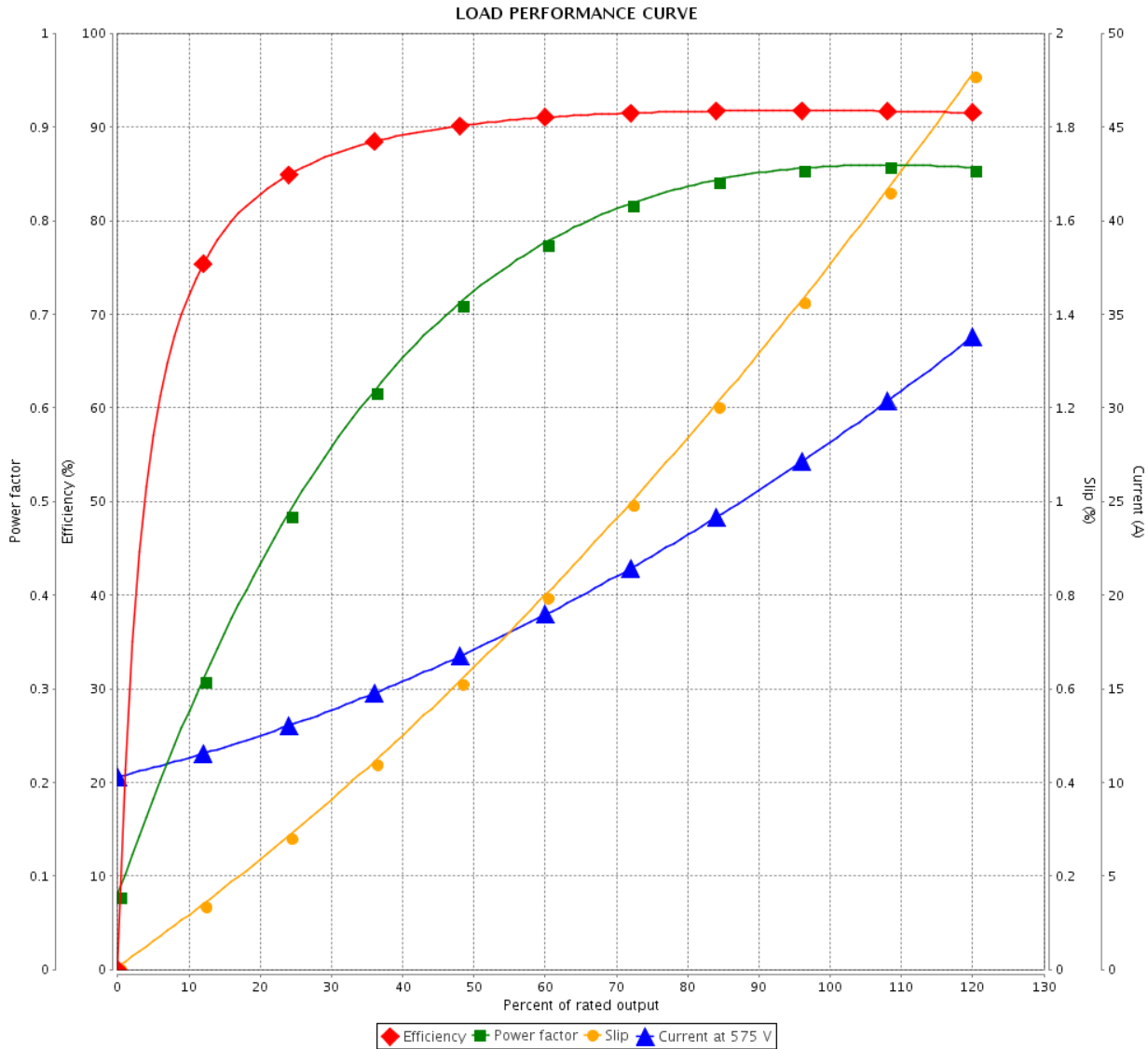
# LOAD PERFORMANCE CURVE



## Three Phase Induction Motor - Squirrel Cage

Customer : Dealers Industrial Equipment 800-469-3110  
 Customer reference : 03036OT3H284JP-W40

Product line : W40 JP Pump NEMA Premium Efficiency Three-Phase      Product code : 14486867  
 Catalog # : 03036OT3H284JP-W40



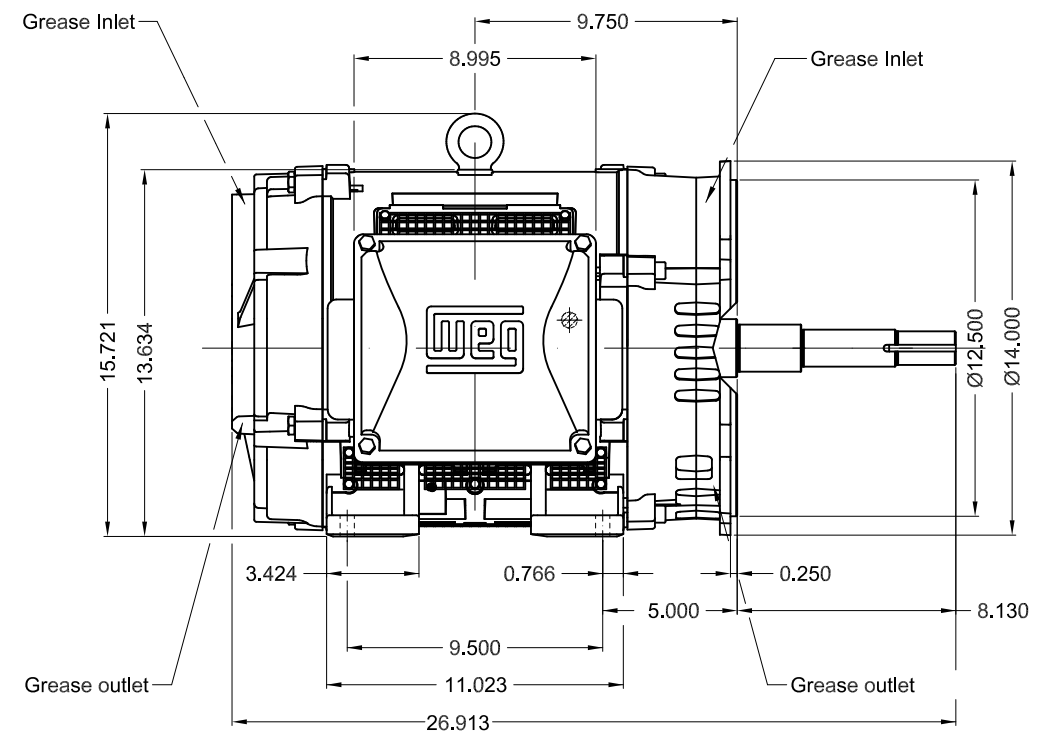
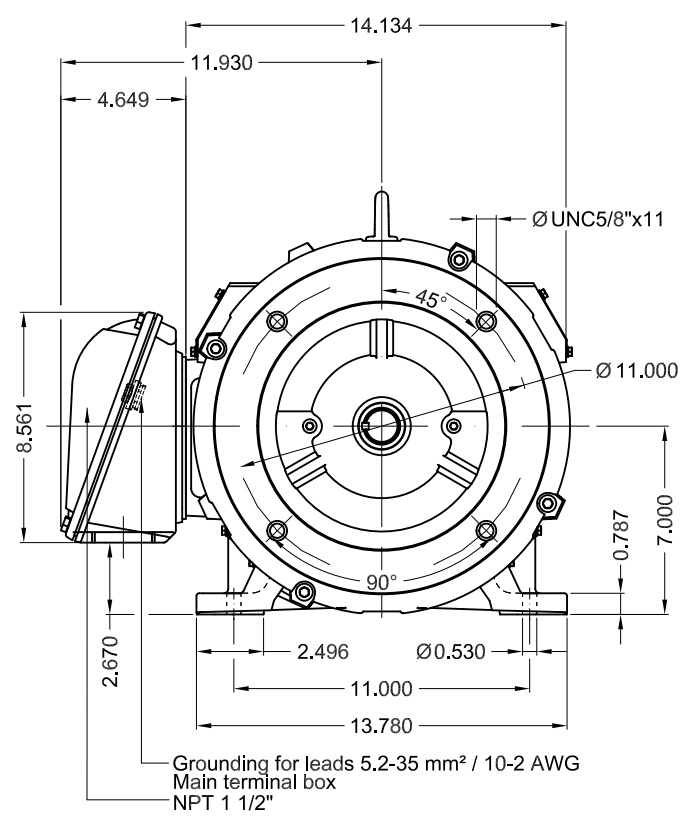
Performance : 575 V 60 Hz 2P

Rated current : 28.0 A	Moment of inertia (J) : 1.59 sq.ft.lb
LRC : 6.3	Duty cycle : Cont.(S1)
Rated torque : 43.8 ft.lb	Insulation class : F
Locked rotor torque : 180 %	Service factor : 1.25
Breakdown torque : 280 %	Temperature rise : 80 K
Rated speed : 3545 rpm	Design : B

Rev.	Changes Summary	Performed	Checked	Date
Performed by			Page 2 / 2	Revision
Checked by				
Date	14/04/2019			

Dimensões em polegada  
Dimensions in inches

THIS IS AN UPDATED REVISION, THE  
PREVIOUS ONE MUST BE DISREGARDED.



Color RAL 5009									
Painting plan 203A									
Mounting B34R(D)									
					SCALE	1:7			
ECM	LOC	SUMMARY OF MODIFICATIONS			EXECUTED	CHECKED	RELEASED	DATE	VER
EXECUTED	USERADMIN	THREE PHASE W40 MOTOR NEMA PREMIUM EFF							
CHECKED		FRAME 284JP IP23 ODP							
RELEASED		CLOSE COUPLED PUMP JP TYPE   W							
REL DT	14.04.2019	WMO	Jaragua do Sul	Product Engineering	SHEET	1 / 1			



30 HP 02 Poles 60Hz

A