

DATA SHEET



Three Phase Induction Motor - Squirrel Cage

Customer	: Dealers Industrial Equipment 800-469-3110				
Customer reference	: 02518OT3E284JP-W40				
Product line	: W40 JP Pump NEMA Premium Efficiency Three-Phase		Product code :	14486225	
			Catalog # :	02518OT3E284JP-W40	
Frame	: 284JP		Locked rotor time	: 30s (cold) 17s (hot)	
Output	: 25 HP (18.5 kW)		Temperature rise	: 80 K	
Poles	: 4		Duty cycle	: Cont.(S1)	
Frequency	: 60 Hz		Ambient temperature	: -20°C to +40°C	
Rated voltage	: 208-230/460 V		Altitude	: 1000 m.a.s.l.	
Rated current	: 65.2-59.0/29.5 A		Protection degree	: IP23	
L. R. Amperes	: 431-389/195 A		Cooling method	: IC01 - ODP	
LRC	: 6.6x(Code G)		Mounting	: F-1	
No load current	: 19.0-22.0/11.0 A		Rotation ¹	: Both (CW and CCW)	
Rated speed	: 1770 rpm		Noise level ²	: 64.0 dB(A)	
Slip	: 1.67 %		Starting method	: Direct On Line	
Rated torque	: 73.2 ft.lb		Approx. weight ³	: 368 lb	
Locked rotor torque	: 270 %				
Breakdown torque	: 280 %				
Insulation class	: F				
Service factor	: 1.25				
Moment of inertia (J)	: 3.71 sq.ft.lb				
Design	: B				
Output	25%	50%	75%	100%	
Efficiency (%)	92.8	93.0	93.6	93.6	
Power Factor	0.45	0.69	0.80	0.84	
	Foundation loads				
	Max. traction				
	Max. compression				
	<u>Drive end</u>		<u>Non drive end</u>		
Bearing type	: 6311 Z C3		6211 Z C3		
Sealing	: Without Bearing Seal		Without Bearing Seal		
Lubrication interval	: 20000 h		20000 h		
Lubricant amount	: 18 g		11 g		
Lubricant type	: Mobil Polyrex EM				
Notes downloaded from http://dealerselectric.com					
This revision replaces and cancel the previous one, which must be eliminated. (1) Looking the motor from the shaft end. (2) Measured at 1m and with tolerance of +3dB(A). (3) Approximate weight subject to changes after manufacturing process. (4) At 100% of full load.			These are average values based on tests with sinusoidal power supply, subject to the tolerances stipulated in NEMA MG-1.		
Rev.	Changes Summary		Performed	Checked	Date
Performed by					
Checked by				Page	Revision
Date	14/04/2019			1 / 2	

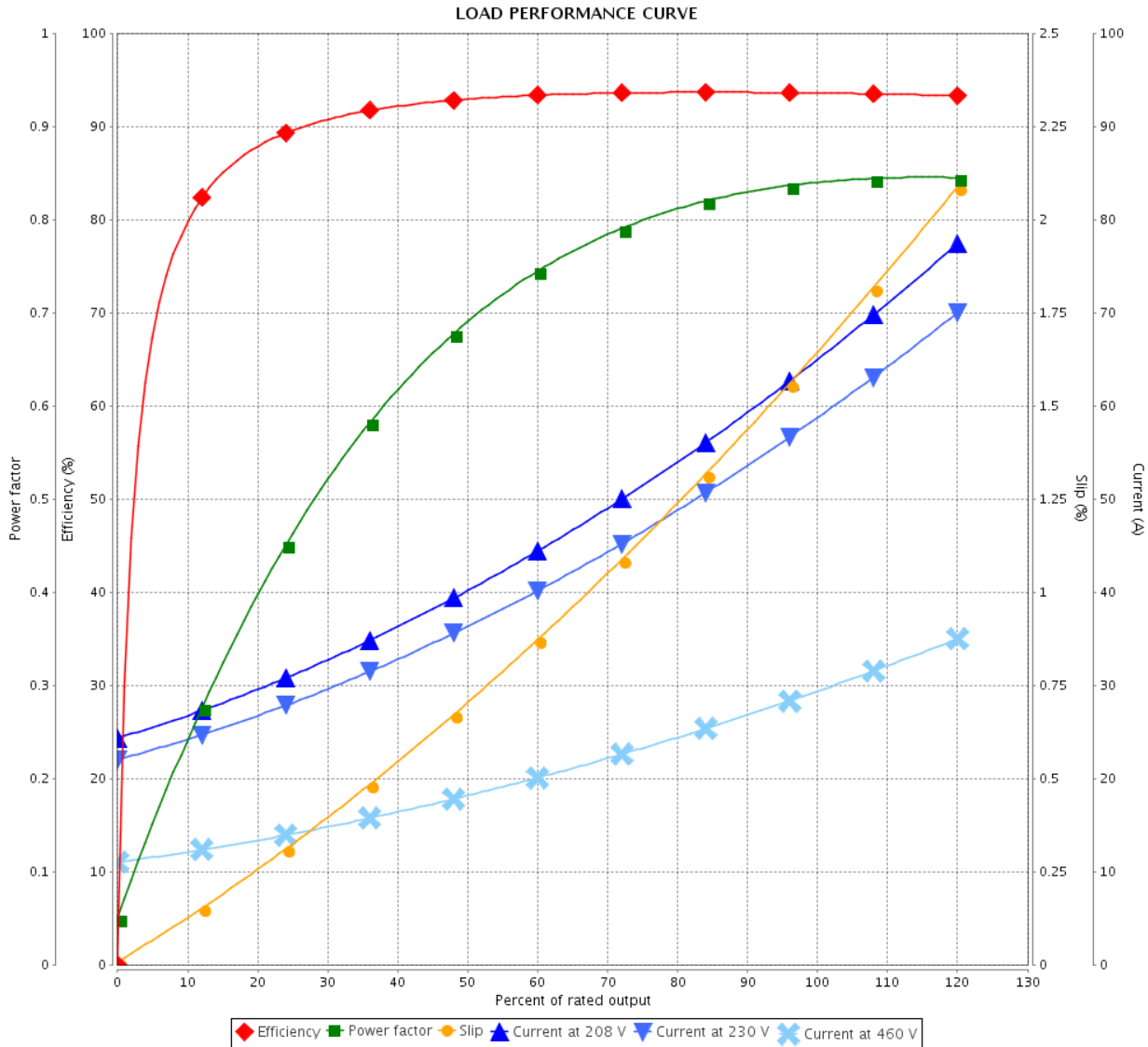
LOAD PERFORMANCE CURVE



Three Phase Induction Motor - Squirrel Cage

Customer : Dealers Industrial Equipment 800-469-3110
 Customer reference : 02518OT3E284JP-W40

Product line : W40 JP Pump NEMA Premium Efficiency Three-Phase Product code : 14486225
 Catalog # : 02518OT3E284JP-W40



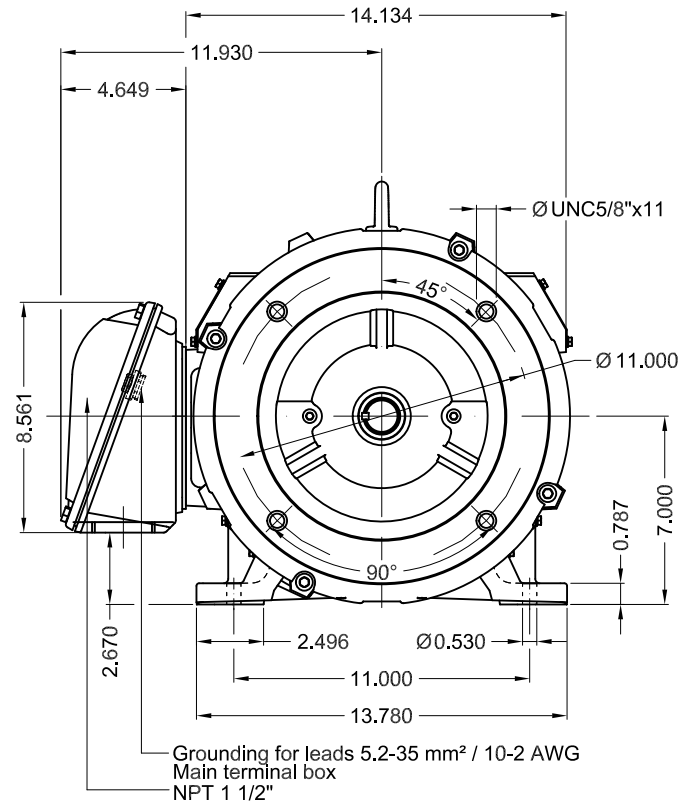
Performance : 208-230/460 V 60 Hz 4P

Rated current : 65.2-59.0/29.5 A	Moment of inertia (J) : 3.71 sq.ft.lb
LRC : 6.6	Duty cycle : Cont.(S1)
Rated torque : 73.2 ft.lb	Insulation class : F
Locked rotor torque : 270 %	Service factor : 1.25
Breakdown torque : 280 %	Temperature rise : 80 K
Rated speed : 1770 rpm	Design : B

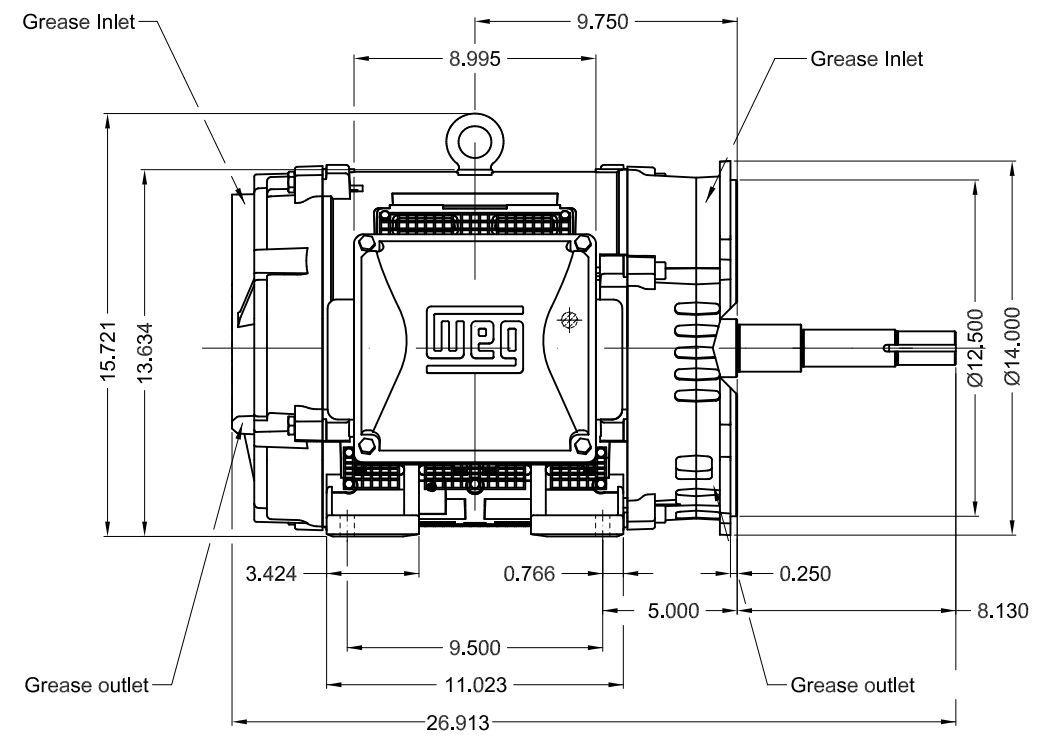
Rev.	Changes Summary	Performed	Checked	Date
Performed by			Page	Revision
Checked by				
Date				

Dimensões em polegada
Dimensions in inches

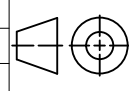
THIS IS AN UPDATED REVISION, THE
PREVIOUS ONE MUST BE DISREGARDED.



Grounding for leads 5.2-35 mm² / 10-2 AWG
Main terminal box
NPT 1 1/2"



Color RAL 5009
Painting plan 203A
Mounting B34R(D)

					SCALE	1:7	
ECM	LOC	SUMMARY OF MODIFICATIONS	EXECUTED	CHECKED	RELEASED	DATE	VER
EXECUTED	USERADMIN	 THREE PHASE W40 MOTOR NEMA PREMIUM EFF FRAME 284JP IP23 ODP CLOSE COUPLED PUMP JP TYPE W					
CHECKED							
RELEASED							
REL DT	14.04.2019	WMO Jaragua do Sul	Product Engineering	SHEET	1 / 1		

25 HP 04 Poles 60Hz

A



ZME A3