

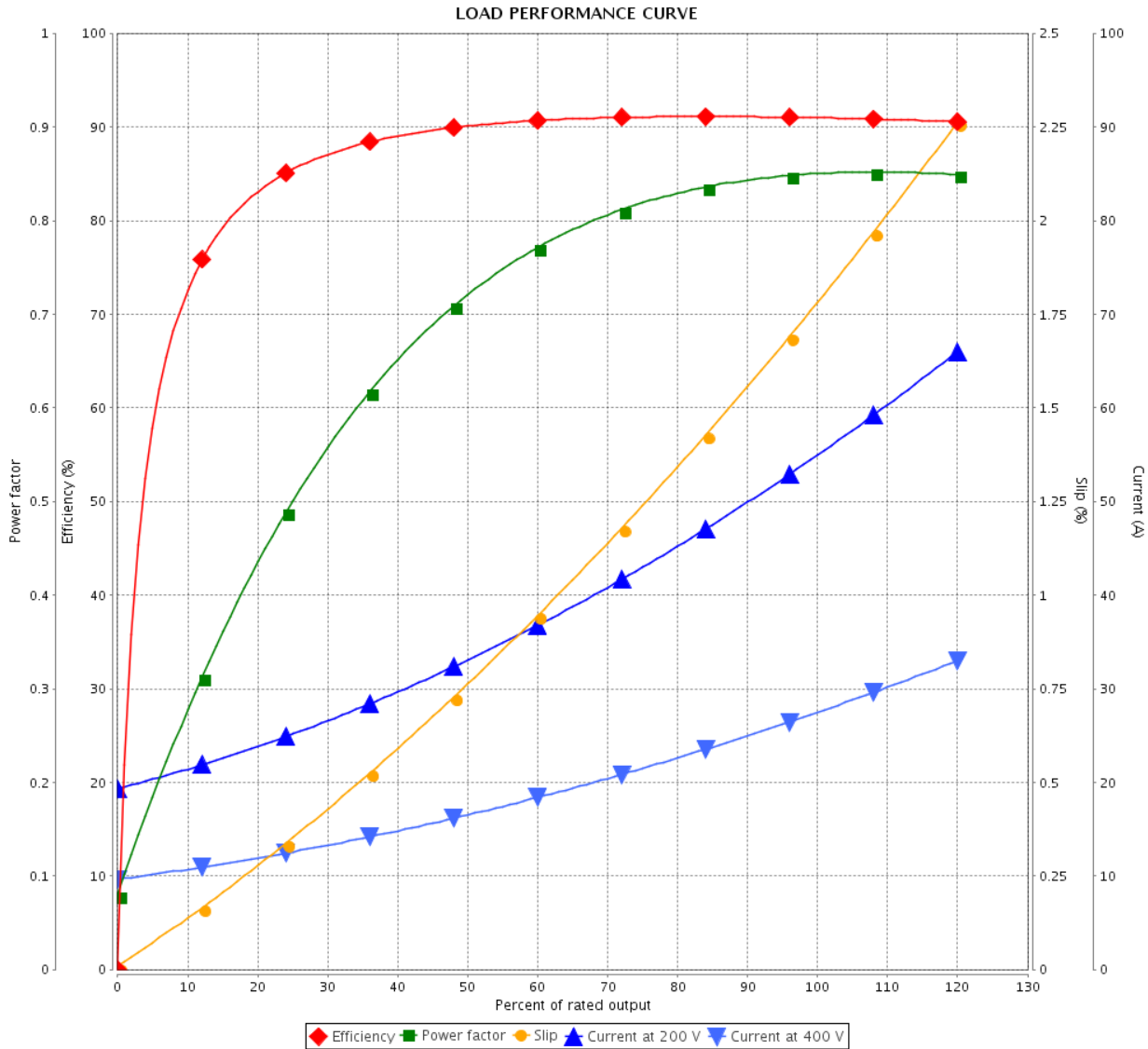
LOAD PERFORMANCE CURVE



Three Phase Induction Motor - Squirrel Cage

Customer : Dealers Industrial Equipment 800-469-3110
 Customer reference : 02036OT3V254JP-W40

Product line : W40 JP Pump NEMA Premium Efficiency Three-Phase Product code : 14486221
 Catalog # : 02036OT3V254JP-W40



Performance : 200/400 V 60 Hz 2P

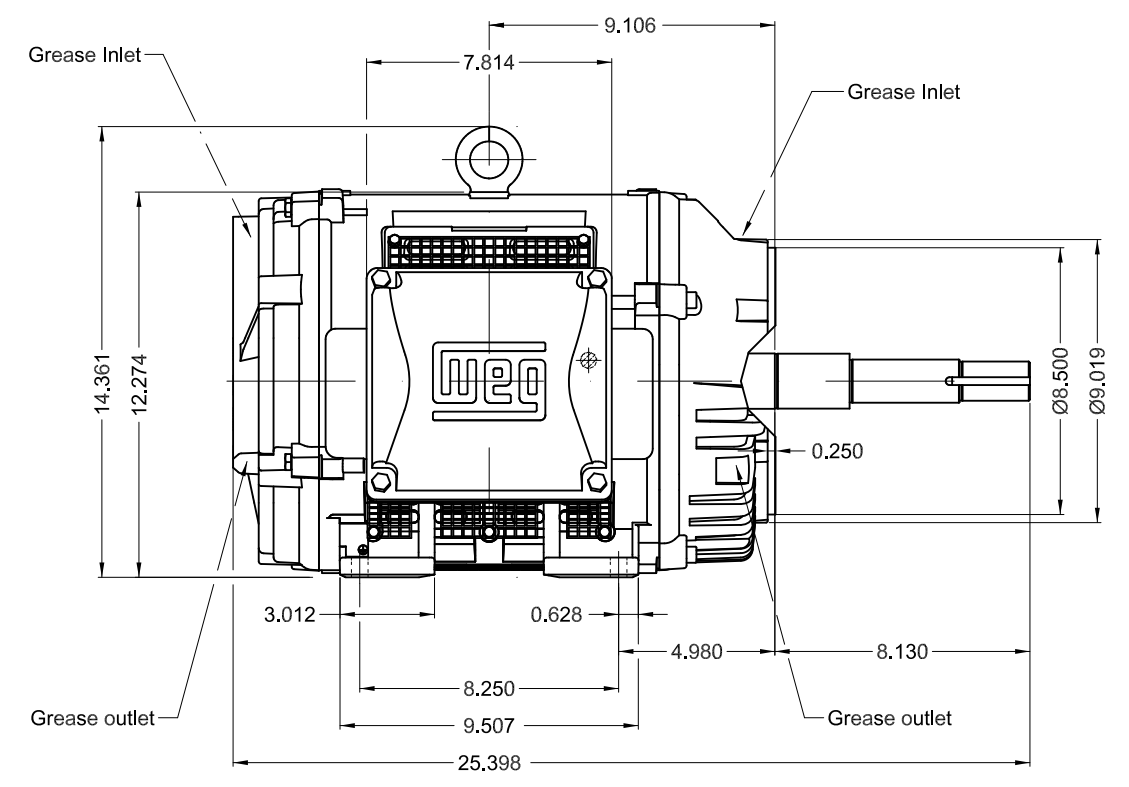
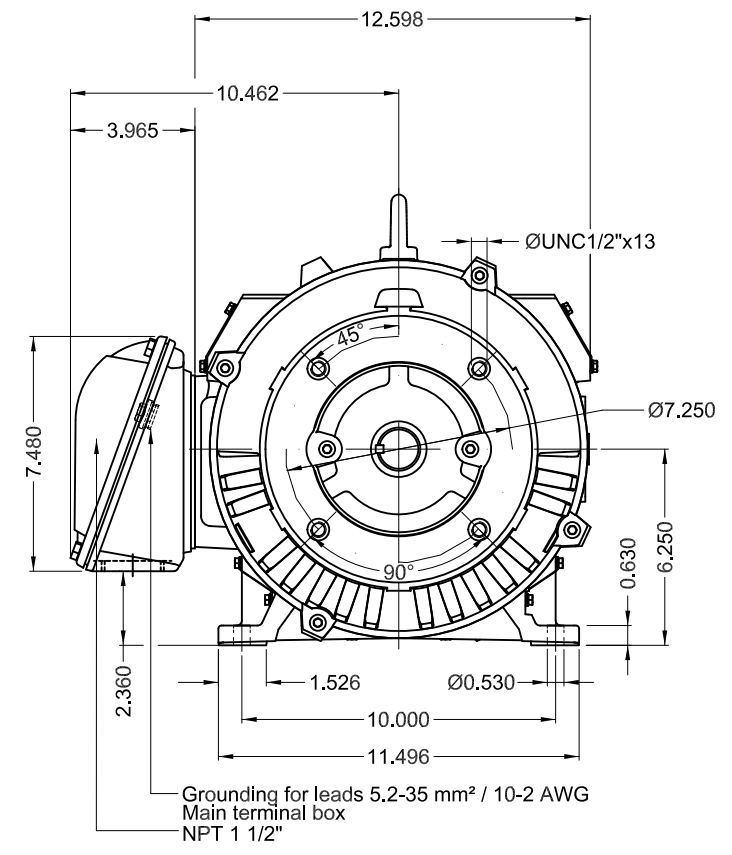
Rated current : 55.9/27.9 A
 LRC : 6.3
 Rated torque : 29.3 ft.lb
 Locked rotor torque : 200 %
 Breakdown torque : 280 %
 Rated speed : 3535 rpm

Moment of inertia (J) : 0.8718 sq.ft.lb
 Duty cycle : Cont.(S1)
 Insulation class : F
 Service factor : 1.25
 Temperature rise : 80 K
 Design : B

Rev.	Changes Summary	Performed	Checked	Date
Performed by			Page 2 / 2	Revision
Checked by				
Date	14/04/2019			

Dimensões em polegada
Dimensions in inches

THIS IS AN UPDATED REVISION, THE
PREVIOUS ONE MUST BE DISREGARDED.



Color RAL 5009		Painting plan 203A		Mounting B34R(D)	
				SCALE	1:6
ECM	LOC	SUMMARY OF MODIFICATIONS	EXECUTED	CHECKED	RELEASED
EXECUTED	USERADMIN	THREE PHASE W40 MOTOR NEMA PREMIUM EFF			
CHECKED		FRAME 254JP IP23 ODP			
RELEASED		CLOSE COUPLED PUMP JP TYPE W			
REL DT	14.04.2019	WMO Jaragua do Sul	Product Engineering	SHEET	1 / 1

20 HP 02 Poles 60Hz

A

