

DATA SHEET



Three Phase Induction Motor - Squirrel Cage

Customer : Dealers Industrial Equipment 800-469-3110
 Customer reference : 02036OT3E254JP-W40

Product line : W40 JP Pump NEMA Premium Efficiency Three-Phase Product code : 14486176
 Catalog # : 02036OT3E254JP-W40

Frame : 254JP	Locked rotor time : 21s (cold) 12s (hot)
Output : 20 HP (15 kW)	Temperature rise : 80 K
Poles : 2	Duty cycle : Cont.(S1)
Frequency : 60 Hz	Ambient temperature : -20°C to +40°C
Rated voltage : 208-230/460 V	Altitude : 1000 m.a.s.l.
Rated current : 53.7-48.6/24.3 A	Protection degree : IP23
L. R. Amperes : 339-306/153 A	Cooling method : IC01 - ODP
LRC : 6.3x(Code G)	Mounting : F-1
No load current : 14.5-16.8/8.40 A	Rotation ¹ : Both (CW and CCW)
Rated speed : 3535 rpm	Starting method : Direct On Line
Slip : 1.81 %	Approx. weight ³ : 215 lb
Rated torque : 29.3 ft.lb	
Locked rotor torque : 200 %	
Breakdown torque : 280 %	
Insulation class : F	
Service factor : 1.25	
Moment of inertia (J) : 0.8718 sq.ft.lb	
Design : B	

Output	25%	50%	75%	100%	Foundation loads
Efficiency (%)	90.0	90.2	91.0	91.0	Max. traction
Power Factor	0.48	0.72	0.82	0.85	Max. compression

		<u>Drive end</u>	<u>Non drive end</u>
Bearing type :		6309 Z C3	6209 Z C3
Sealing :		Without Bearing Seal	Without Bearing Seal
Lubrication interval :		20000 h	20000 h
Lubricant amount :		13 g	9 g
Lubricant type :		Mobil Polyrex EM	

Notes
 downloaded from <http://dealerselectric.com>

This revision replaces and cancel the previous one, which must be eliminated.
 (1) Looking the motor from the shaft end.
 (2) Measured at 1m and with tolerance of +3dB(A).
 (3) Approximate weight subject to changes after manufacturing process.
 (4) At 100% of full load.

These are average values based on tests with sinusoidal power supply, subject to the tolerances stipulated in NEMA MG-1.

Rev.	Changes Summary	Performed	Checked	Date
Performed by			Page 1 / 2	Revision
Checked by				
Date	14/04/2019			

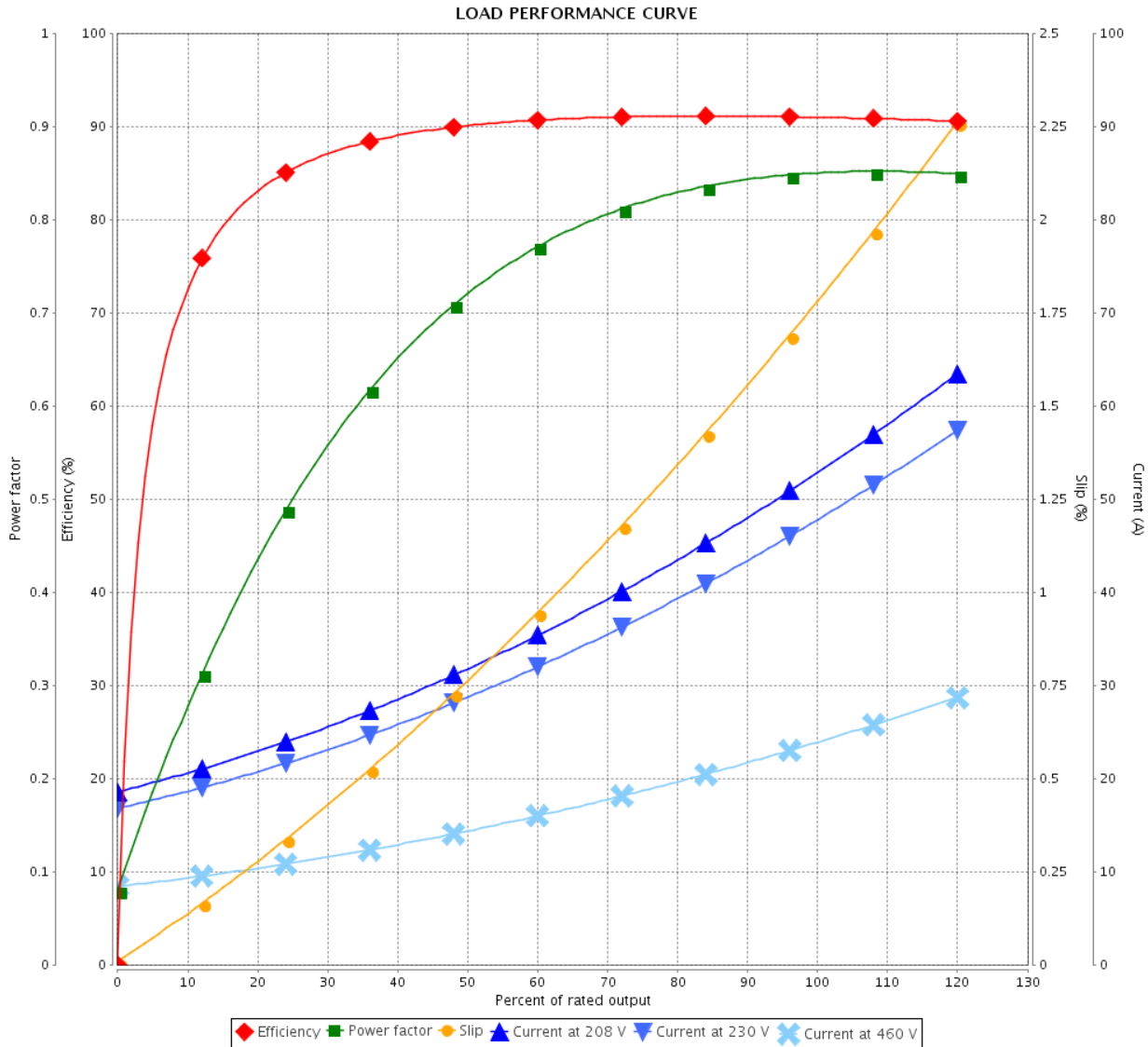
LOAD PERFORMANCE CURVE



Three Phase Induction Motor - Squirrel Cage

Customer : Dealers Industrial Equipment 800-469-3110
 Customer reference : 02036OT3E254JP-W40

Product line : W40 JP Pump NEMA Premium Efficiency Three-Phase Product code : 14486176
 Catalog # : 02036OT3E254JP-W40



Performance : 208-230/460 V 60 Hz 2P

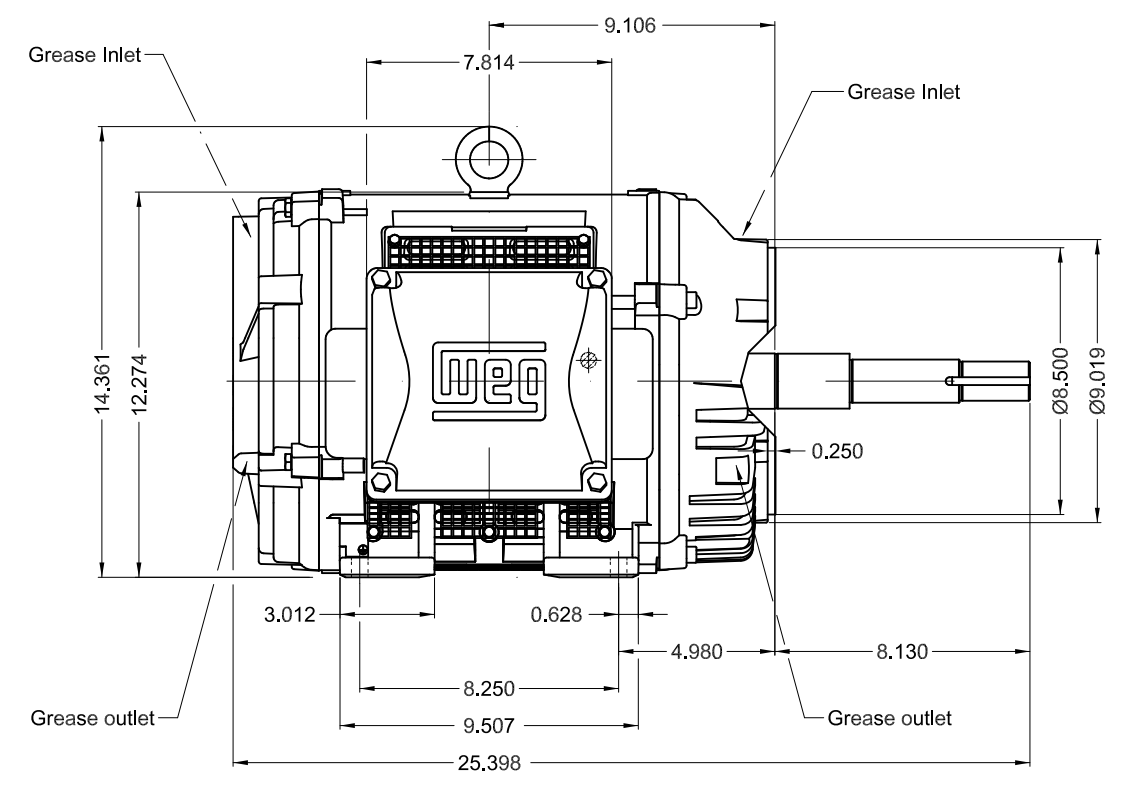
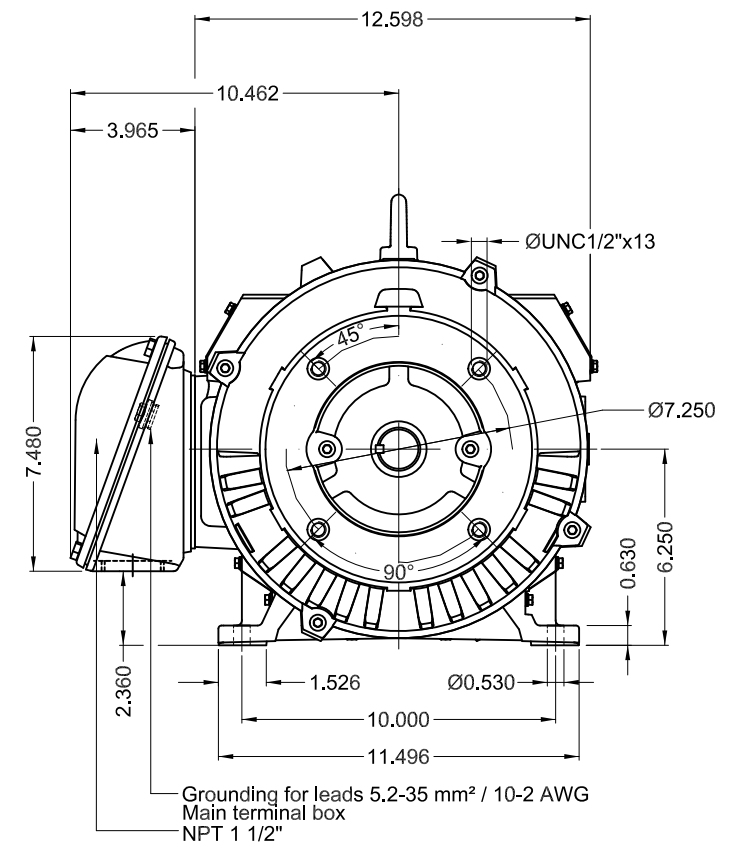
Rated current : 53.7-48.6/24.3 A
 LRC : 6.3
 Rated torque : 29.3 ft.lb
 Locked rotor torque : 200 %
 Breakdown torque : 280 %
 Rated speed : 3535 rpm

Moment of inertia (J) : 0.8718 sq.ft.lb
 Duty cycle : Cont.(S1)
 Insulation class : F
 Service factor : 1.25
 Temperature rise : 80 K
 Design : B

Rev.	Changes Summary	Performed	Checked	Date
Performed by			Page 2 / 2	Revision
Checked by				
Date	14/04/2019			

Dimensões em polegada
Dimensions in inches

THIS IS AN UPDATED REVISION, THE
PREVIOUS ONE MUST BE DISREGARDED.



Color RAL 5009									
Painting plan 203A									
Mounting B34R(D)									
					SCALE	1:6			
ECM	LOC	SUMMARY OF MODIFICATIONS			EXECUTED	CHECKED	RELEASED	DATE	VER
EXECUTED	USERADMIN	THREE PHASE W40 MOTOR NEMA PREMIUM EFF							
CHECKED		FRAME 254JP IP23 ODP							
RELEASED		CLOSE COUPLED PUMP JP TYPE W							
REL DT	14.04.2019	WMO	Jaragua do Sul	Product Engineering	SHEET	1 / 1			

20 HP 02 Poles 60Hz

A

