

DATA SHEET



Three Phase Induction Motor - Squirrel Cage

Customer	: Dealers Industrial Equipment 800-469-3110					
Customer reference	: 02018OT3H256JP-W40					
Product line	: W40 JP Pump NEMA Premium Efficiency Three-Phase		Product code :	14486171		
			Catalog # :	02018OT3H256JP-W40		
Frame	: 254/6JP		Locked rotor time	: 21s (cold) 12s (hot)		
Output	: 20 HP (15 kW)		Temperature rise	: 80 K		
Poles	: 4		Duty cycle	: Cont.(S1)		
Frequency	: 60 Hz		Ambient temperature	: -20°C to +40°C		
Rated voltage	: 575 V		Altitude	: 1000 m.a.s.l.		
Rated current	: 19.3 A		Protection degree	: IP23		
L. R. Amperes	: 123 A		Cooling method	: IC01 - ODP		
LRC	: 6.4x(Code G)		Mounting	: F-1		
No load current	: 8.00 A		Rotation ¹	: Both (CW and CCW)		
Rated speed	: 1765 rpm		Noise level ²	: 62.0 dB(A)		
Slip	: 1.94 %		Starting method	: Direct On Line		
Rated torque	: 58.7 ft.lb		Approx. weight ³	: 305 lb		
Locked rotor torque	: 220 %					
Breakdown torque	: 280 %					
Insulation class	: F					
Service factor	: 1.25					
Moment of inertia (J)	: 3.13 sq.ft.lb					
Design	: B					
Output	25%	50%	75%	100%		
Efficiency (%)	92.2	92.4	93.0	93.0		
Power Factor	0.43	0.69	0.79	0.84		
	Foundation loads					
	Max. traction					
	Max. compression					
	<u>Drive end</u>		<u>Non drive end</u>			
Bearing type	: 6309 Z C3		: 6209 Z C3			
Sealing	: Without Bearing Seal		: Without Bearing Seal			
Lubrication interval	: 20000 h		: 20000 h			
Lubricant amount	: 13 g		: 9 g			
Lubricant type	: Mobil Polyrex EM					
Notes downloaded from http://dealerselectric.com						
This revision replaces and cancel the previous one, which must be eliminated. (1) Looking the motor from the shaft end. (2) Measured at 1m and with tolerance of +3dB(A). (3) Approximate weight subject to changes after manufacturing process. (4) At 100% of full load.			These are average values based on tests with sinusoidal power supply, subject to the tolerances stipulated in NEMA MG-1.			
Rev.	Changes Summary			Performed	Checked	Date
Performed by						
Checked by					Page	Revision
Date	13/04/2019				1 / 2	

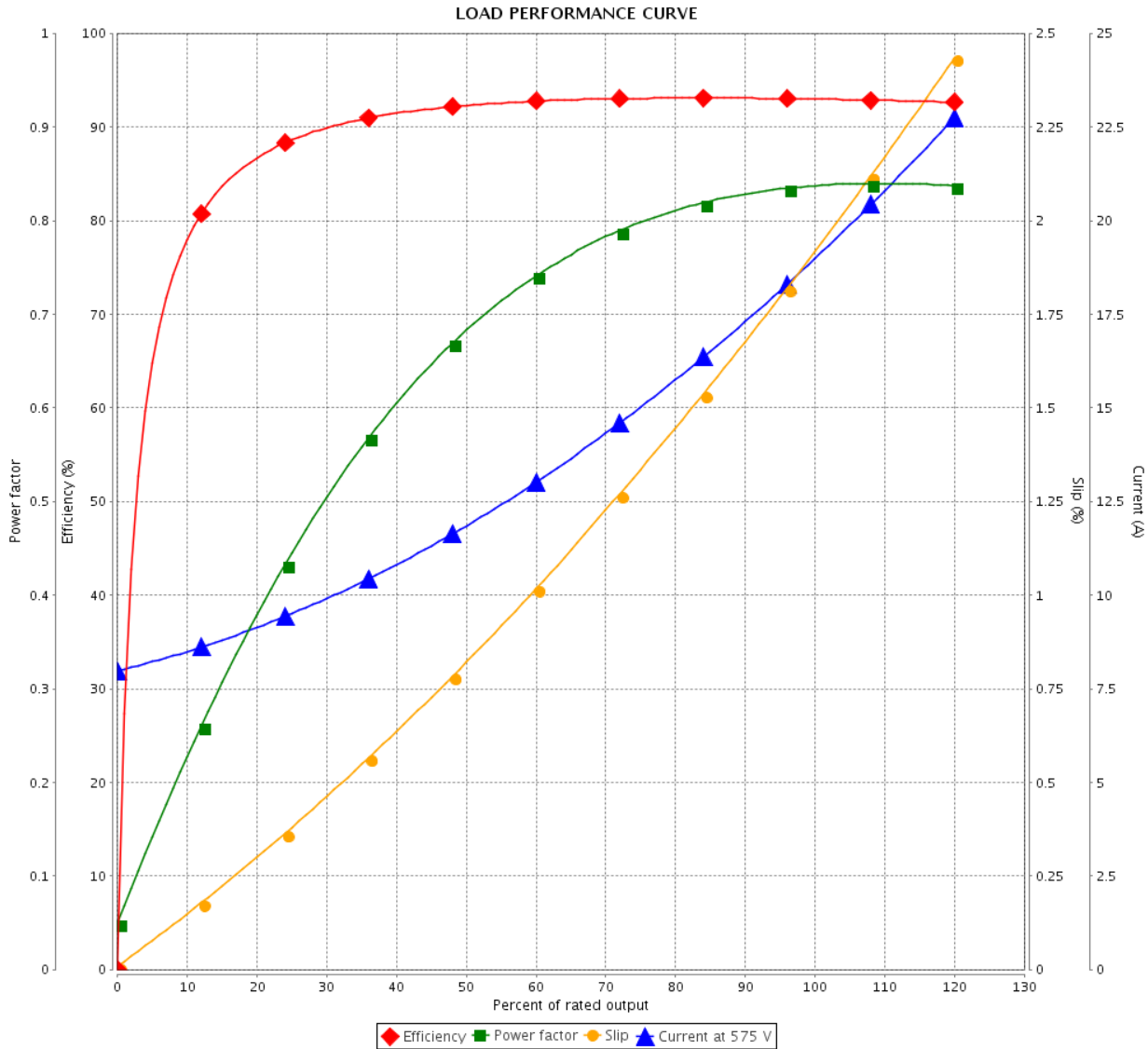
LOAD PERFORMANCE CURVE



Three Phase Induction Motor - Squirrel Cage

Customer : Dealers Industrial Equipment 800-469-3110
 Customer reference : 02018OT3H256JP-W40

Product line : W40 JP Pump NEMA Premium Efficiency Three-Phase Product code : 14486171
 Catalog # : 02018OT3H256JP-W40



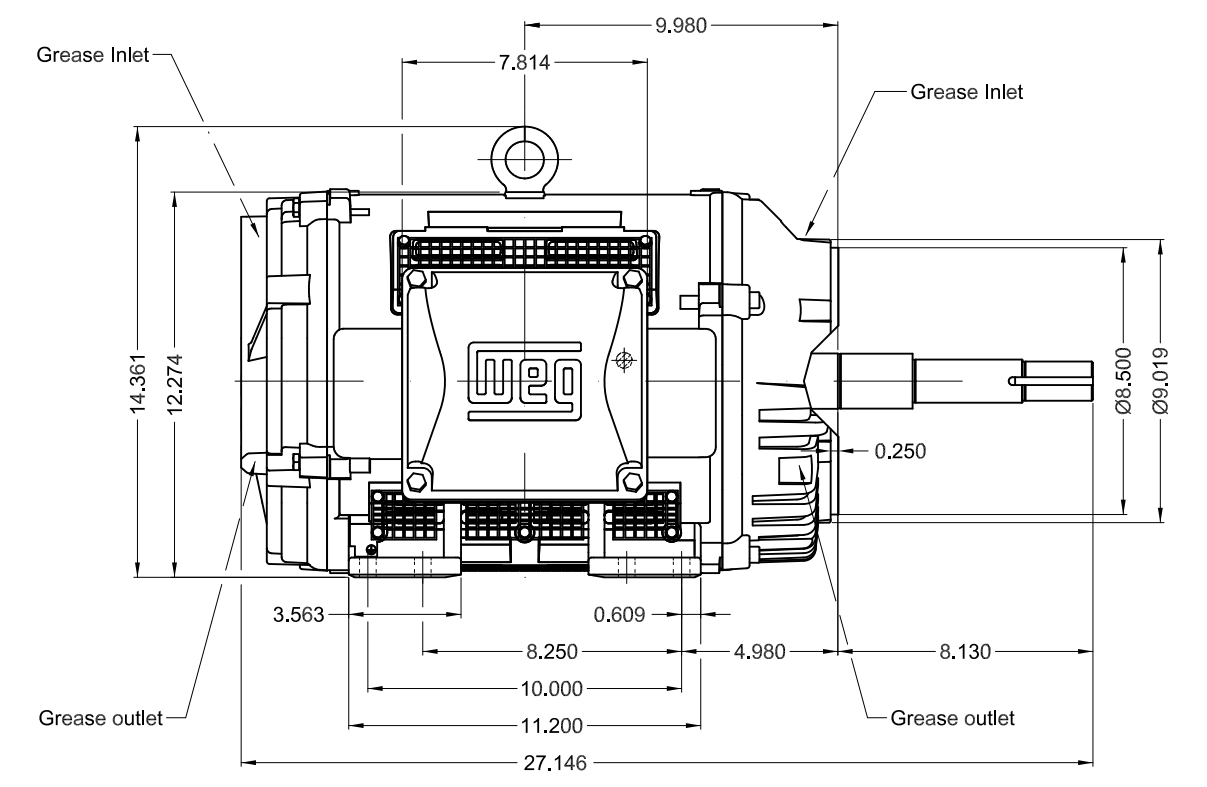
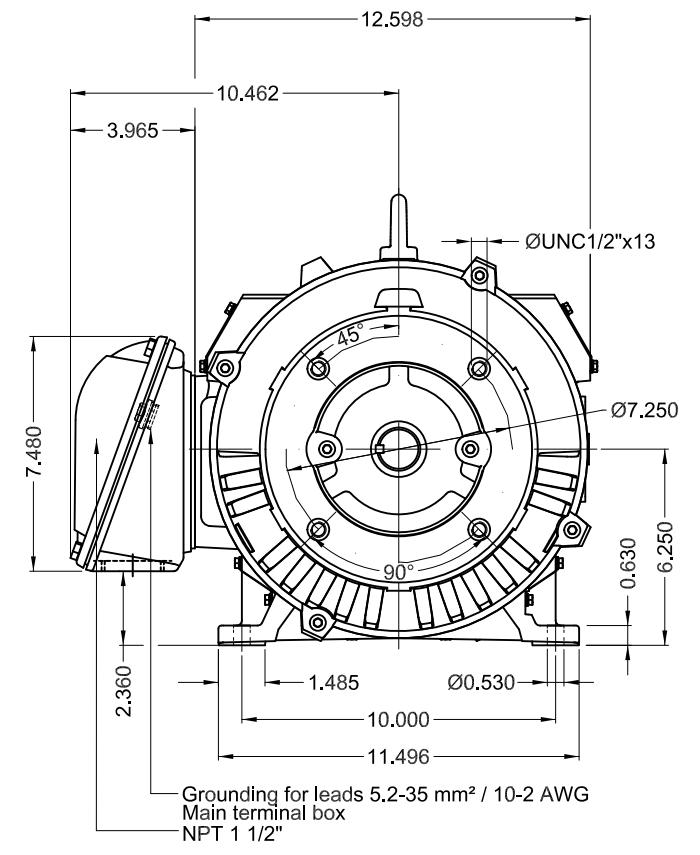
Performance : 575 V 60 Hz 4P

Rated current : 19.3 A	Moment of inertia (J) : 3.13 sq.ft.lb
LRC : 6.4	Duty cycle : Cont.(S1)
Rated torque : 58.7 ft.lb	Insulation class : F
Locked rotor torque : 220 %	Service factor : 1.25
Breakdown torque : 280 %	Temperature rise : 80 K
Rated speed : 1765 rpm	Design : B

Rev.	Changes Summary	Performed	Checked	Date
Performed by			Page	Revision
Checked by			2 / 2	
Date	13/04/2019			

Dimensões em polegada
Dimensions in inches

THIS IS AN UPDATED REVISION, THE
PREVIOUS ONE MUST BE DISREGARDED.



Color RAL 5009						
Painting plan 203A						
Mounting B34R(D)						
					SCALE	1:6
ECM	LOC	SUMMARY OF MODIFICATIONS		EXECUTED	CHECKED	RELEASED
EXECUTED	USERADMIN	THREE PHASE W40 MOTOR NEMA PREMIUM EFF				
CHECKED		FRAME 254/6JP IP23 ODP				
RELEASED		CLOSE COUPLED PUMP JP TYPE W				
REL DT	13.04.2019	WMO	Jaragua do Sul	Product Engineering	SHEET	1 / 1

20 HP 04 Poles 60Hz

A

