

# DATA SHEET



## Three Phase Induction Motor - Squirrel Cage

Customer	: Dealers Industrial Equipment 800-469-3110				
Customer reference	: 02018OT3E256JP-W40				
Product line	: W40 JP Pump NEMA Premium Efficiency Three-Phase		Product code :	14485159	
			Catalog # :	02018OT3E256JP-W40	
Frame	: 254/6JP		Locked rotor time	: 21s (cold) 12s (hot)	
Output	: 20 HP (15 kW)		Temperature rise	: 80 K	
Poles	: 4		Duty cycle	: Cont.(S1)	
Frequency	: 60 Hz		Ambient temperature	: -20°C to +40°C	
Rated voltage	: 208-230/460 V		Altitude	: 1000 m.a.s.l.	
Rated current	: 53.3-48.2/24.1 A		Protection degree	: IP23	
L. R. Amperes	: 341-308/154 A		Cooling method	: IC01 - ODP	
LRC	: 6.4x(Code G)		Mounting	: F-1	
No load current	: 17.2-20.0/10.0 A		Rotation <sup>1</sup>	: Both (CW and CCW)	
Rated speed	: 1765 rpm		Noise level <sup>2</sup>	: 62.0 dB(A)	
Slip	: 1.94 %		Starting method	: Direct On Line	
Rated torque	: 58.7 ft.lb		Approx. weight <sup>3</sup>	: 320 lb	
Locked rotor torque	: 220 %				
Breakdown torque	: 280 %				
Insulation class	: F				
Service factor	: 1.25				
Moment of inertia (J)	: 3.13 sq.ft.lb				
Design	: B				
Output	25%	50%	75%	100%	
Efficiency (%)	92.2	92.4	93.0	93.0	
Power Factor	0.43	0.69	0.79	0.84	
	Foundation loads				
	Max. traction				
	Max. compression				
	<u>Drive end</u>		<u>Non drive end</u>		
Bearing type	: 6309 Z C3		6209 Z C3		
Sealing	: Without Bearing Seal		Without Bearing Seal		
Lubrication interval	: 20000 h		20000 h		
Lubricant amount	: 13 g		9 g		
Lubricant type	: Mobil Polyrex EM				
Notes downloaded from <a href="http://dealerselectric.com">http://dealerselectric.com</a>					
This revision replaces and cancel the previous one, which must be eliminated. (1) Looking the motor from the shaft end. (2) Measured at 1m and with tolerance of +3dB(A). (3) Approximate weight subject to changes after manufacturing process. (4) At 100% of full load.			These are average values based on tests with sinusoidal power supply, subject to the tolerances stipulated in NEMA MG-1.		
Rev.	Changes Summary		Performed	Checked	Date
Performed by					
Checked by				Page	Revision
Date	13/04/2019			1 / 2	

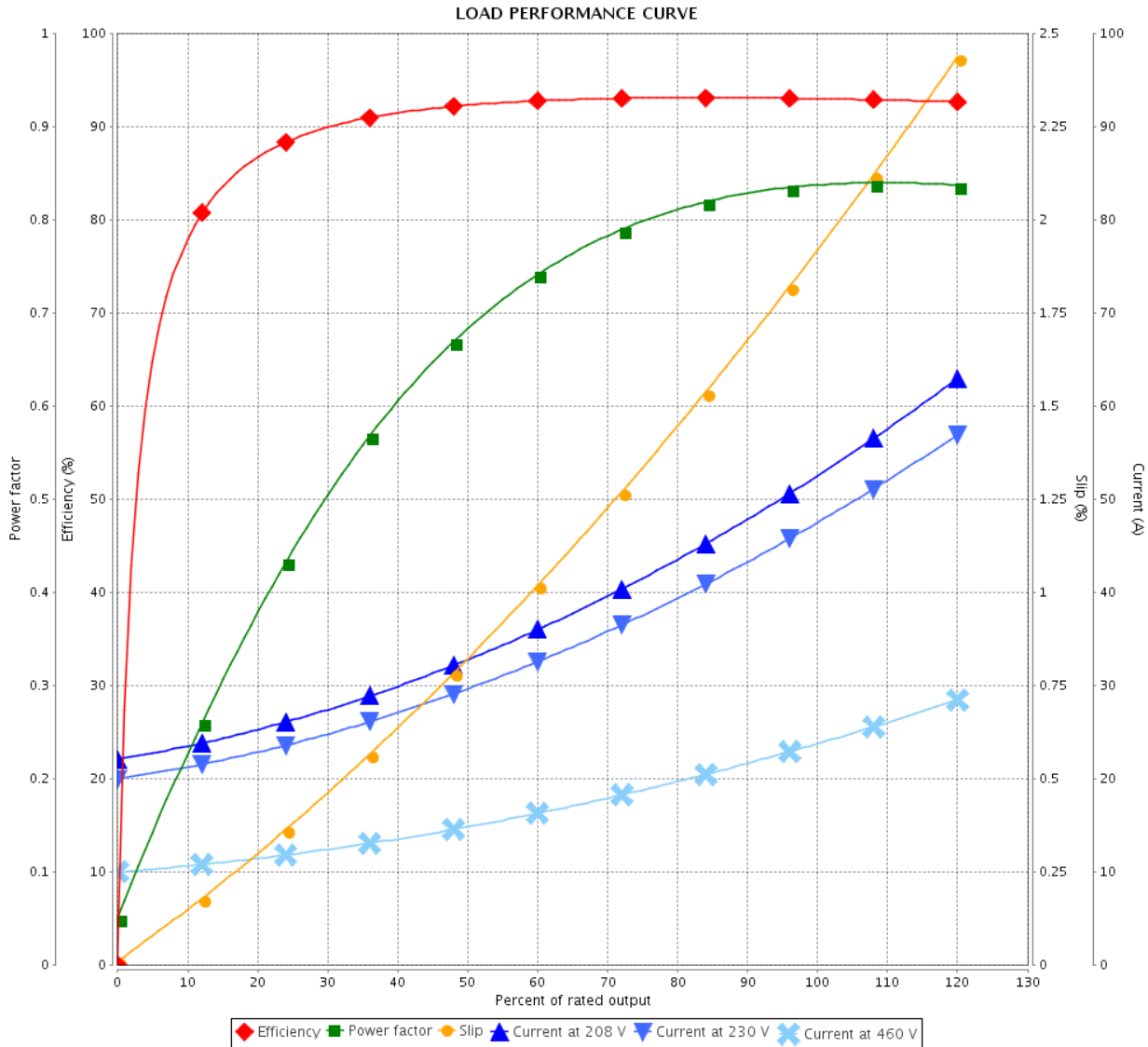
# LOAD PERFORMANCE CURVE



## Three Phase Induction Motor - Squirrel Cage

Customer : Dealers Industrial Equipment 800-469-3110  
 Customer reference : 02018OT3E256JP-W40

Product line : W40 JP Pump NEMA Premium Efficiency Three-Phase      Product code : 14485159  
 Catalog # : 02018OT3E256JP-W40



Performance : 208-230/460 V 60 Hz 4P

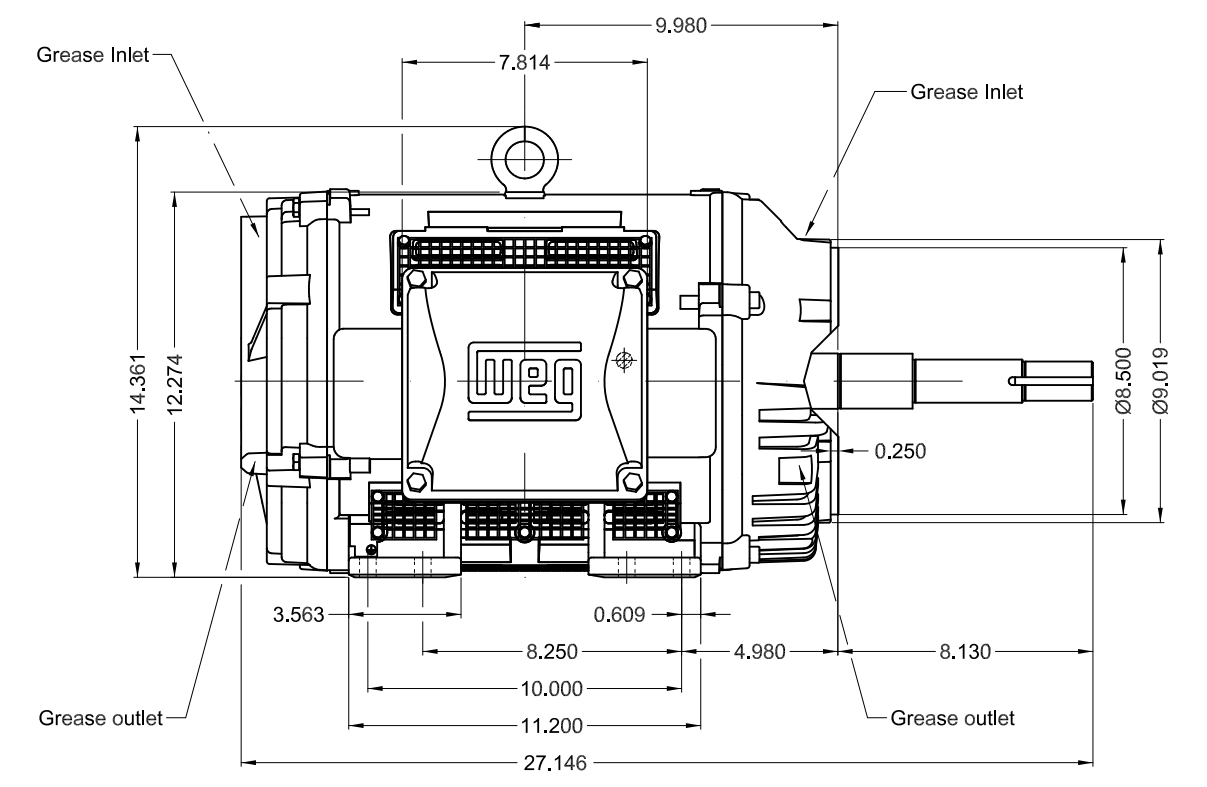
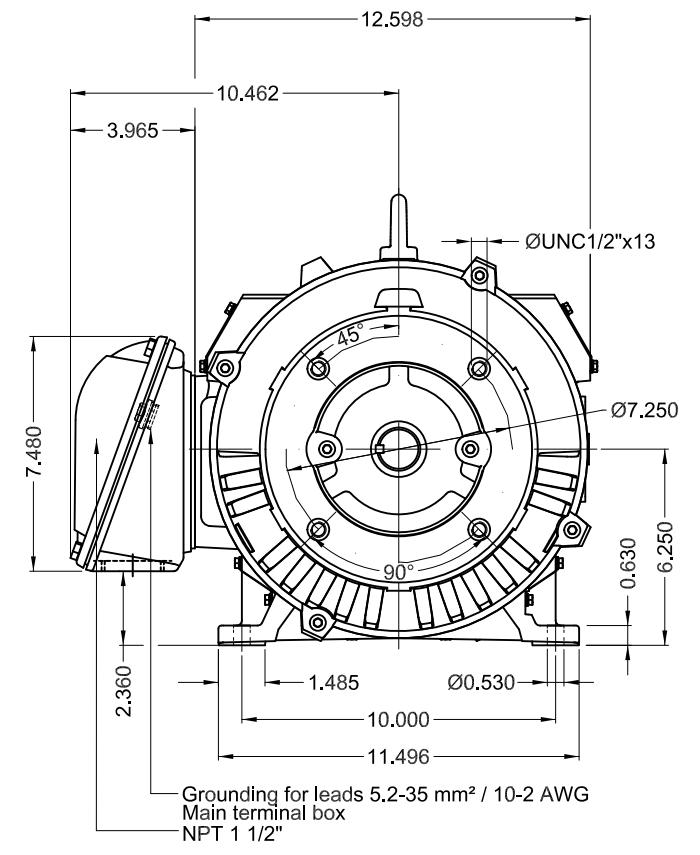
Rated current : 53.3-48.2/24.1 A  
 LRC : 6.4  
 Rated torque : 58.7 ft.lb  
 Locked rotor torque : 220 %  
 Breakdown torque : 280 %  
 Rated speed : 1765 rpm

Moment of inertia (J) : 3.13 sq.ft.lb  
 Duty cycle : Cont.(S1)  
 Insulation class : F  
 Service factor : 1.25  
 Temperature rise : 80 K  
 Design : B

Rev.	Changes Summary	Performed	Checked	Date
Performed by			Page 2 / 2	Revision
Checked by				
Date	13/04/2019			

Dimensões em polegada  
Dimensions in inches

THIS IS AN UPDATED REVISION, THE  
PREVIOUS ONE MUST BE DISREGARDED.



Color RAL 5009		Painting plan 203A		Mounting B34R(D)		SCALE		1:6	
ECM	LOC	SUMMARY OF MODIFICATIONS			EXECUTED	CHECKED	RELEASED	DATE	VER
EXECUTED	USERADMIN	THREE PHASE W40 MOTOR NEMA PREMIUM EFF							
CHECKED		FRAME 254/6JP IP23 ODP							
RELEASED		CLOSE COUPLED PUMP JP TYPE   W							
REL DT	13.04.2019	WMO	Jaragua do Sul	Product Engineering	SHEET	1 / 1			

20 HP 04 Poles 60Hz

A

