

DATA SHEET



Three Phase Induction Motor - Squirrel Cage

Customer : Dealers Industrial Equipment 800-469-3110
 Customer reference : 00712OT3E254JP-W40

Product line : W40 JP Pump NEMA Premium Efficiency Three-Phase Product code : 14484973
 Catalog # : 00712OT3E254JP-W40

Frame : 254JP	Locked rotor time : 28s (cold) 16s (hot)
Output : 7.5 HP (5.5 kW)	Temperature rise : 80 K
Poles : 6	Duty cycle : Cont.(S1)
Frequency : 60 Hz	Ambient temperature : -20°C to +40°C
Rated voltage : 208-230/460 V	Altitude : 1000 m.a.s.l.
Rated current : 22.0-19.9/9.94 A	Protection degree : IP23
L. R. Amperes : 147-133/66.6 A	Cooling method : IC01 - ODP
LRC : 6.7x(Code H)	Mounting : F-1
No load current : 9.31-10.8/5.40 A	Rotation ¹ : Both (CW and CCW)
Rated speed : 1180 rpm	Noise level ² : 59.0 dB(A)
Slip : 1.67 %	Starting method : Direct On Line
Rated torque : 32.9 ft.lb	Approx. weight ³ : 221 lb
Locked rotor torque : 260 %	
Breakdown torque : 300 %	
Insulation class : F	
Service factor : 1.25	
Moment of inertia (J) : 2.29 sq.ft.lb	
Design : B	

Output	25%	50%	75%	100%	Foundation loads
Efficiency (%)	86.6	87.5	89.5	90.2	Max. traction
Power Factor	0.34	0.58	0.70	0.77	Max. compression

	<u>Drive end</u>	<u>Non drive end</u>
Bearing type :	6309 Z C3	6209 Z C3
Sealing :	Without Bearing Seal	Without Bearing Seal
Lubrication interval :	20000 h	20000 h
Lubricant amount :	13 g	9 g
Lubricant type :	Mobil Polyrex EM	

Notes
 downloaded from <http://dealerselectric.com>

This revision replaces and cancel the previous one, which must be eliminated.
 (1) Looking the motor from the shaft end.
 (2) Measured at 1m and with tolerance of +3dB(A).
 (3) Approximate weight subject to changes after manufacturing process.
 (4) At 100% of full load.

These are average values based on tests with sinusoidal power supply, subject to the tolerances stipulated in NEMA MG-1.

Rev.	Changes Summary	Performed	Checked	Date
Performed by		Page		Revision
Checked by		1 / 2		
Date	13/04/2019			

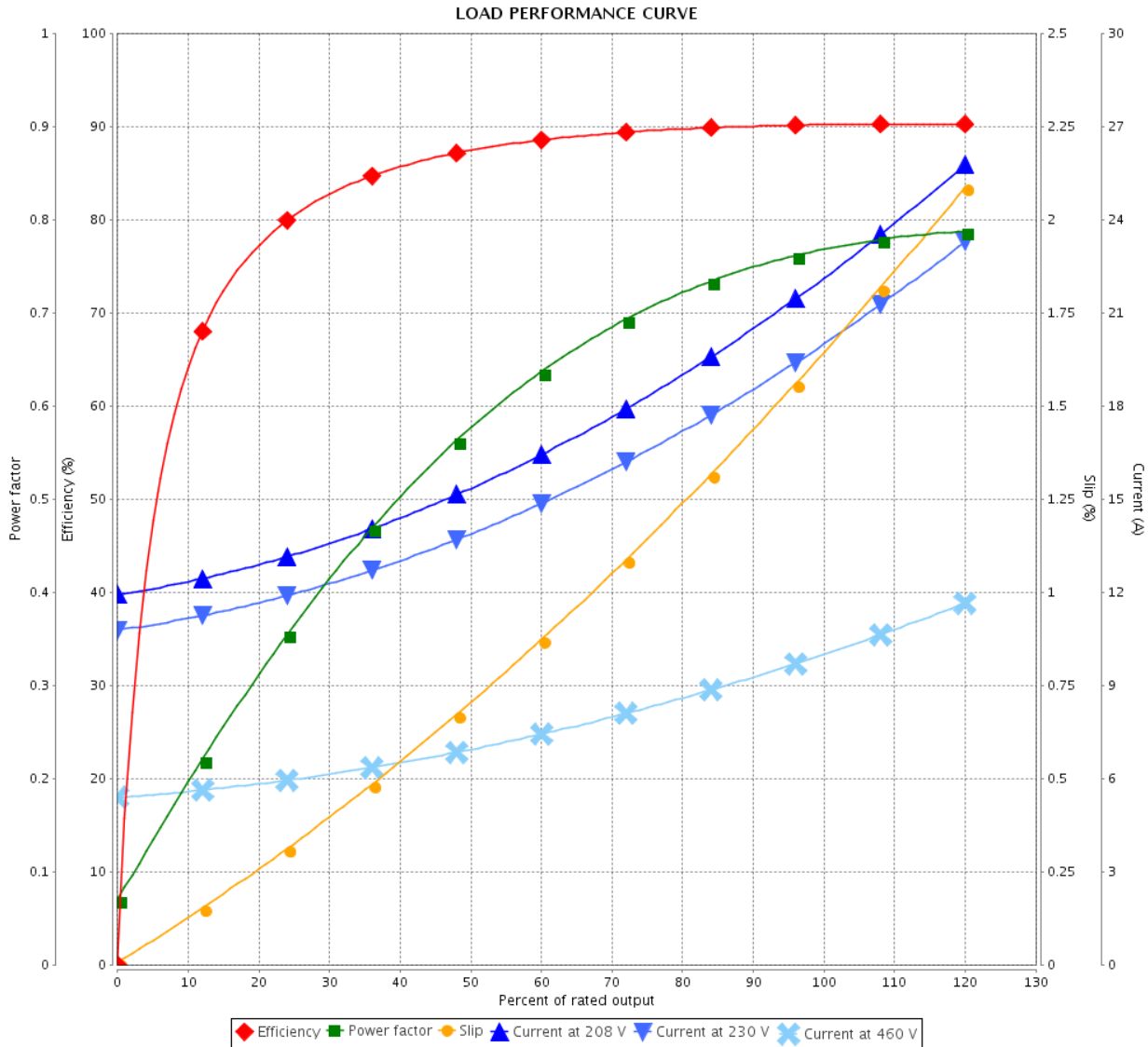
LOAD PERFORMANCE CURVE



Three Phase Induction Motor - Squirrel Cage

Customer : Dealers Industrial Equipment 800-469-3110
 Customer reference : 00712OT3E254JP-W40

Product line : W40 JP Pump NEMA Premium Efficiency Three-Phase Product code : 14484973
 Catalog # : 00712OT3E254JP-W40



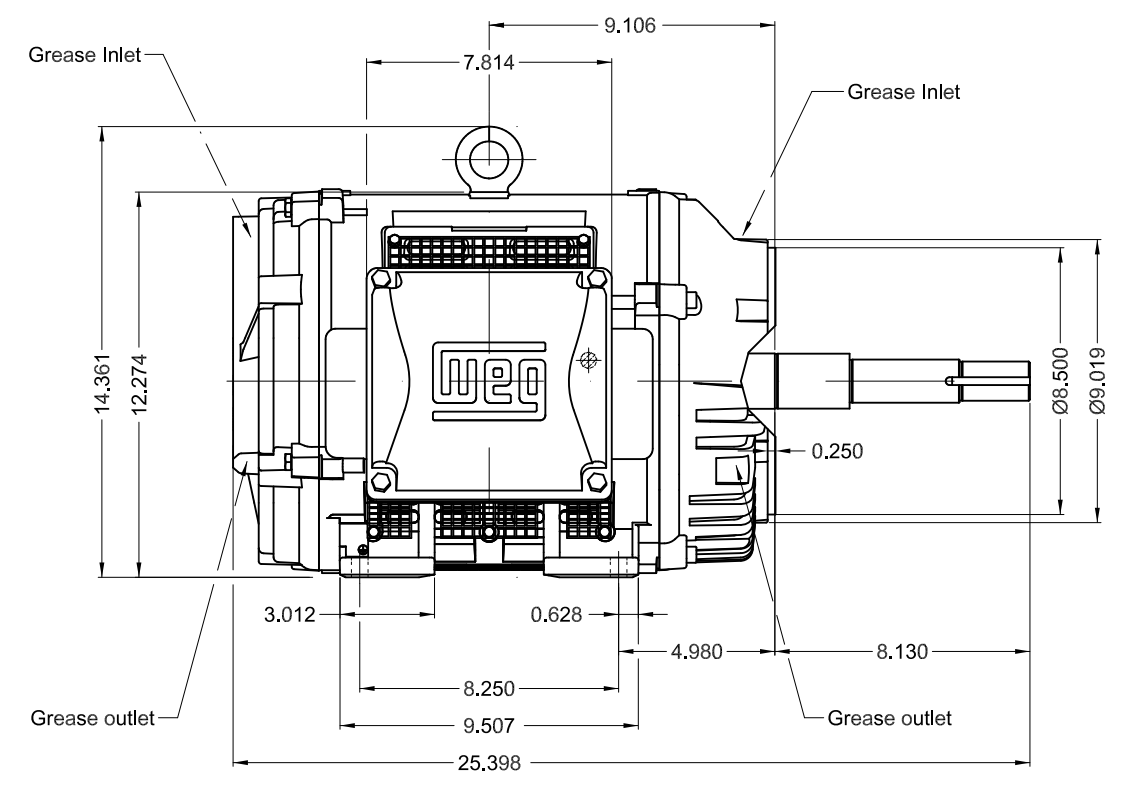
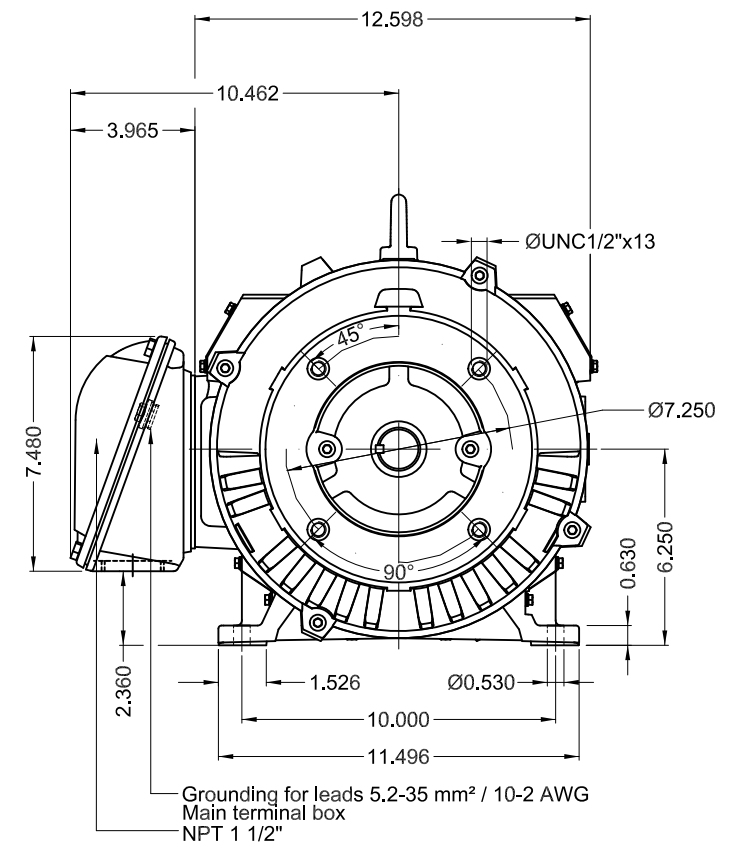
Performance : 208-230/460 V 60 Hz 6P

Rated current : 22.0-19.9/9.94 A	Moment of inertia (J) : 2.29 sq.ft.lb
LRC : 6.7	Duty cycle : Cont.(S1)
Rated torque : 32.9 ft.lb	Insulation class : F
Locked rotor torque : 260 %	Service factor : 1.25
Breakdown torque : 300 %	Temperature rise : 80 K
Rated speed : 1180 rpm	Design : B

Rev.	Changes Summary	Performed	Checked	Date
Performed by			Page 2 / 2	Revision
Checked by				
Date	13/04/2019			

Dimensões em polegada
Dimensions in inches

THIS IS AN UPDATED REVISION, THE
PREVIOUS ONE MUST BE DISREGARDED.



Color RAL 5009									
Painting plan 203A									
Mounting B34R(D)									
					SCALE	1:6			
ECM	LOC	SUMMARY OF MODIFICATIONS			EXECUTED	CHECKED	RELEASED	DATE	VER
EXECUTED	USERADMIN	THREE PHASE W40 MOTOR NEMA PREMIUM EFF							
CHECKED		FRAME 254JP IP23 ODP							
RELEASED		CLOSE COUPLED PUMP JP TYPE W							
REL DT	13.04.2019	WMO	Jaragua do Sul	Product Engineering	SHEET	1 / 1			

7.5 HP 06 Poles 60Hz

A



ZME A3