

# DATA SHEET



## Three Phase Induction Motor - Squirrel Cage

Customer : Dealers Industrial Equipment 800-469-3110  
Customer reference : 06036OT3E326JM-W40

Product line : W40 JM Pump NEMA Premium Efficiency Three-Phase      Product code : 14484972  
Catalog # : 06036OT3E326JM-W40

|                       |                    |                             |                        |
|-----------------------|--------------------|-----------------------------|------------------------|
| Frame                 | : 324/6JM          | Locked rotor time           | : 21s (cold) 12s (hot) |
| Output                | : 60 HP (45 kW)    | Temperature rise            | : 80 K                 |
| Poles                 | : 2                | Duty cycle                  | : Cont.(S1)            |
| Frequency             | : 60 Hz            | Ambient temperature         | : -20°C to +40°C       |
| Rated voltage         | : 208-230/460 V    | Altitude                    | : 1000 m.a.s.l.        |
| Rated current         | : 157-142/71.0 A   | Protection degree           | : IP23                 |
| L. R. Amperes         | : 989-895/447 A    | Cooling method              | : IC01 - ODP           |
| LRC                   | : 6.3x(Code G)     | Mounting                    | : F-1                  |
| No load current       | : 34.5-40.0/20.0 A | Rotation <sup>1</sup>       | : Both (CW and CCW)    |
| Rated speed           | : 3560 rpm         | Noise level <sup>2</sup>    | : 75.0 dB(A)           |
| Slip                  | : 1.11 %           | Starting method             | : Direct On Line       |
| Rated torque          | : 87.3 ft.lb       | Approx. weight <sup>3</sup> | : 487 lb               |
| Locked rotor torque   | : 220 %            |                             |                        |
| Breakdown torque      | : 229 %            |                             |                        |
| Insulation class      | : F                |                             |                        |
| Service factor        | : 1.25             |                             |                        |
| Moment of inertia (J) | : 3.82 sq.ft.lb    |                             |                        |
| Design                | : B                |                             |                        |

|                |      |      |      |      |                  |
|----------------|------|------|------|------|------------------|
| Output         | 25%  | 50%  | 75%  | 100% | Foundation loads |
| Efficiency (%) | 91.7 | 92.4 | 93.0 | 93.6 | Max. traction    |
| Power Factor   | 0.51 | 0.73 | 0.82 | 0.85 | Max. compression |

|                      |   |                      |                      |
|----------------------|---|----------------------|----------------------|
|                      |   | <u>Drive end</u>     | <u>Non drive end</u> |
| Bearing type         | : | 6312 Z C3            | 6211 Z C3            |
| Sealing              | : | Without Bearing Seal | Without Bearing Seal |
| Lubrication interval | : | 19658 h              | 20000 h              |
| Lubricant amount     | : | 21 g                 | 11 g                 |
| Lubricant type       | : | Mobil Polyrex EM     |                      |

Notes  
downloaded from <http://dealerselectric.com>

This revision replaces and cancel the previous one, which must be eliminated.  
(1) Looking the motor from the shaft end.  
(2) Measured at 1m and with tolerance of +3dB(A).  
(3) Approximate weight subject to changes after manufacturing process.  
(4) At 100% of full load.

These are average values based on tests with sinusoidal power supply, subject to the tolerances stipulated in NEMA MG-1.

| Rev.         | Changes Summary | Performed | Checked | Date     |
|--------------|-----------------|-----------|---------|----------|
|              |                 |           |         |          |
| Performed by |                 | Page      |         | Revision |
| Checked by   |                 | 1 / 2     |         |          |
| Date         | 14/04/2019      |           |         |          |

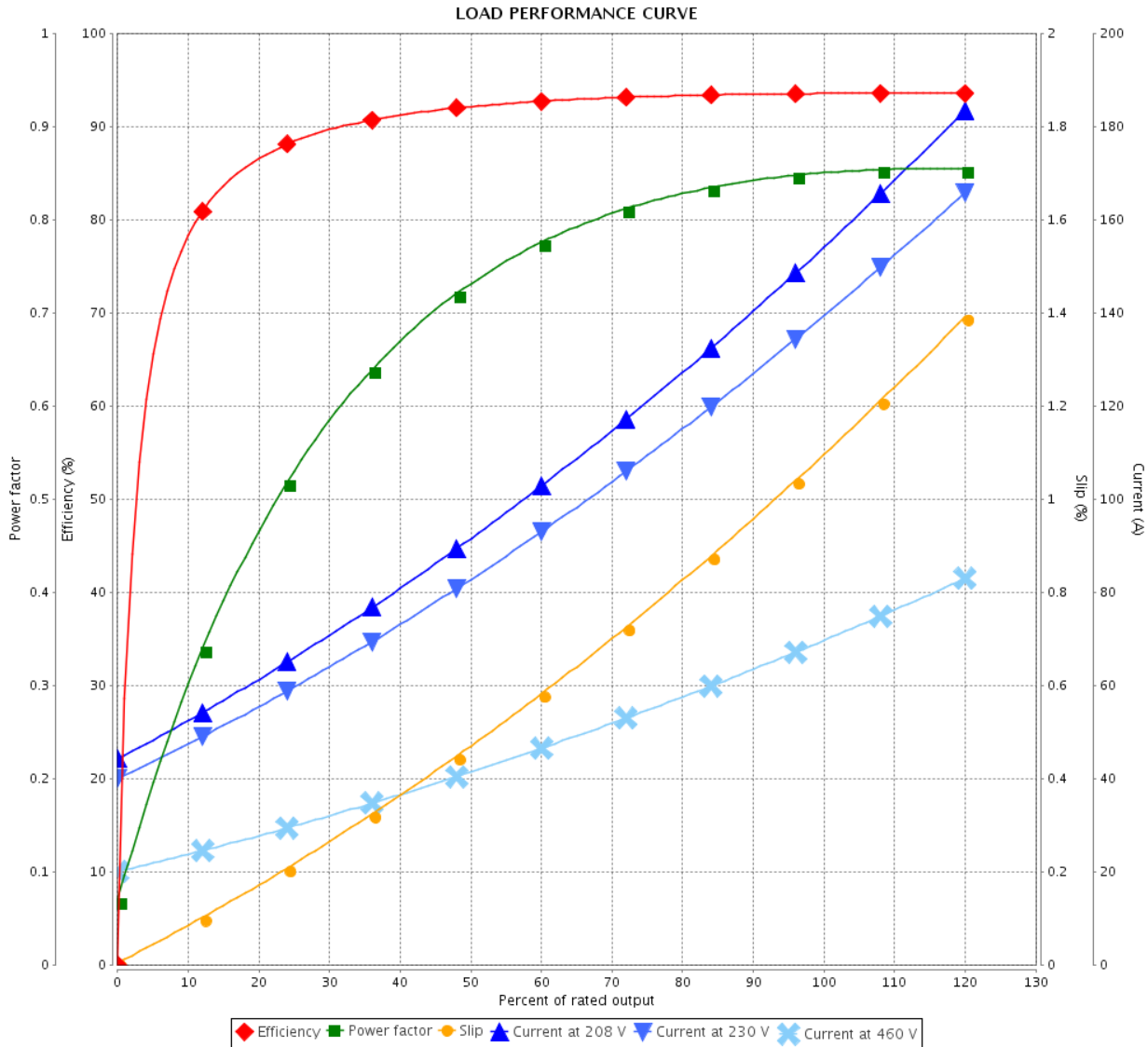
# LOAD PERFORMANCE CURVE



## Three Phase Induction Motor - Squirrel Cage

Customer : Dealers Industrial Equipment 800-469-3110  
 Customer reference : 06036OT3E326JM-W40

Product line : W40 JM Pump NEMA Premium Efficiency Three-Phase      Product code : 14484972  
 Catalog # : 06036OT3E326JM-W40



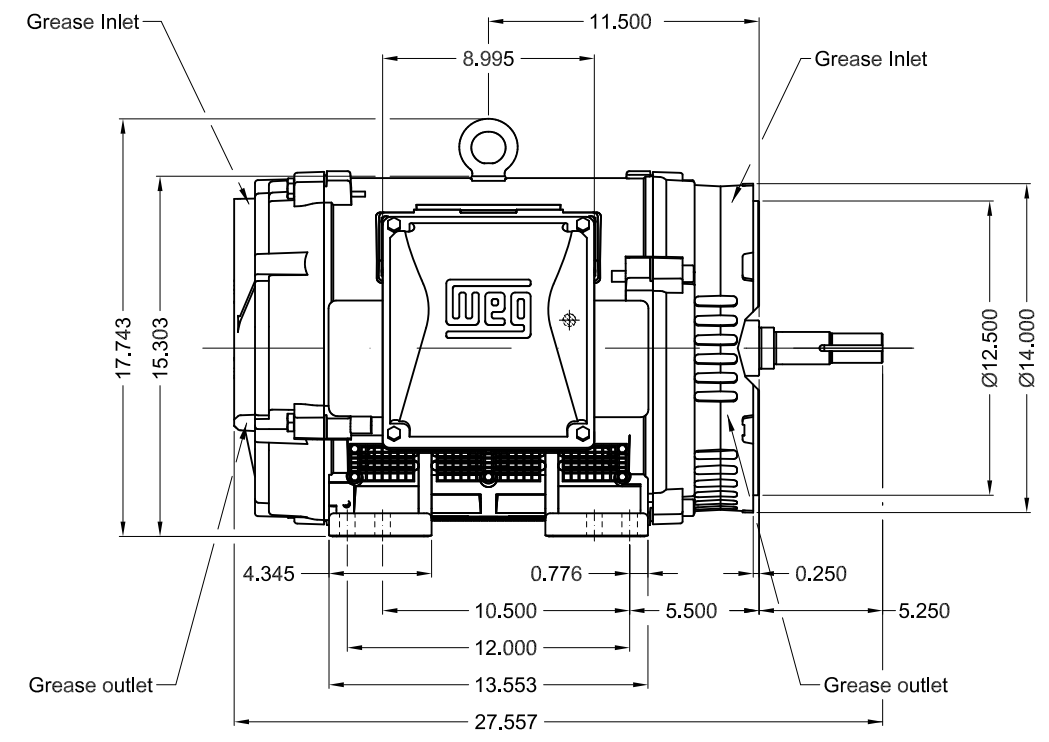
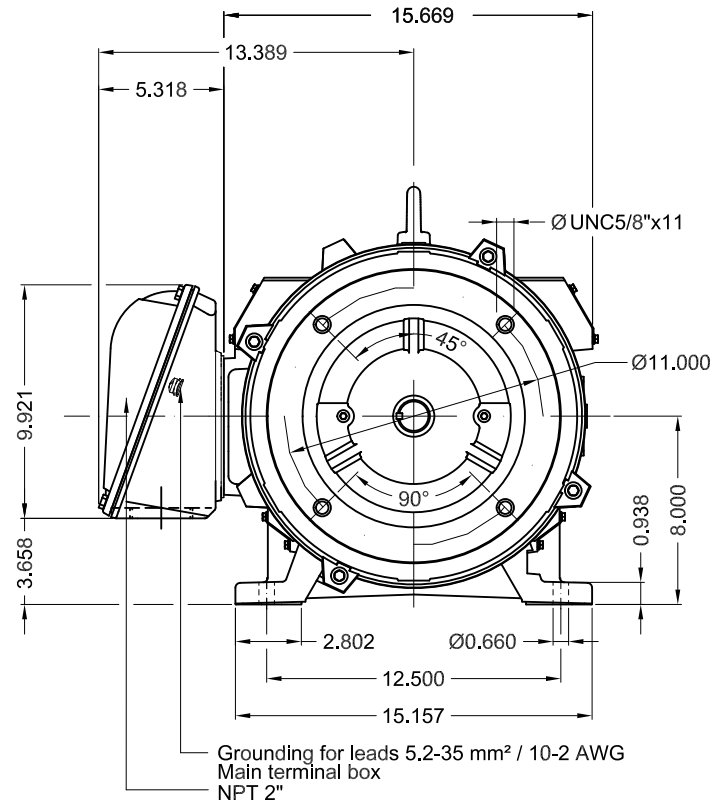
Performance : 208-230/460 V 60 Hz 2P

|                                |                                       |
|--------------------------------|---------------------------------------|
| Rated current : 157-142/71.0 A | Moment of inertia (J) : 3.82 sq.ft.lb |
| LRC : 6.3                      | Duty cycle : Cont.(S1)                |
| Rated torque : 87.3 ft.lb      | Insulation class : F                  |
| Locked rotor torque : 220 %    | Service factor : 1.25                 |
| Breakdown torque : 229 %       | Temperature rise : 80 K               |
| Rated speed : 3560 rpm         | Design : B                            |

| Rev.         | Changes Summary | Performed | Checked       | Date     |
|--------------|-----------------|-----------|---------------|----------|
|              |                 |           |               |          |
| Performed by |                 |           | Page<br>2 / 2 | Revision |
| Checked by   |                 |           |               |          |
| Date         | 14/04/2019      |           |               |          |

Dimensões em polegada  
Dimensions in inches

THIS IS AN UPDATED REVISION, THE  
PREVIOUS ONE MUST BE DISREGARDED.



|                    |            |  |                |                     |          |         |          |      |     |
|--------------------|------------|--|----------------|---------------------|----------|---------|----------|------|-----|
| Color RAL 5009     |            |  |                |                     |          |         |          |      |     |
| Painting plan 203A |            |  |                |                     |          |         |          |      |     |
| Mounting B34R(D)   |            |  |                |                     |          |         |          |      |     |
|                    |            |  |                |                     | SCALE    | 1:8     |          |      |     |
| ECM                | LOC        | SUMMARY OF MODIFICATIONS               |                |                     | EXECUTED | CHECKED | RELEASED | DATE | VER |
| EXECUTED           | USERADMIN  | THREE PHASE W40 MOTOR NEMA PREMIUM EFF |                |                     |          |         |          |      |     |
| CHECKED            |            | FRAME 324/6JM IP23 ODP                 |                |                     |          |         |          |      |     |
| RELEASED           |            | CLOSE COUPLED PUMP JM TYPE   W         |                |                     |          |         |          |      |     |
| REL DT             | 14.04.2019 | WMO                                    | Jaragua do Sul | Product Engineering | SHEET    | 1 / 1   |          |      |     |

60 HP 02 Poles 60Hz

A



ZME A3