

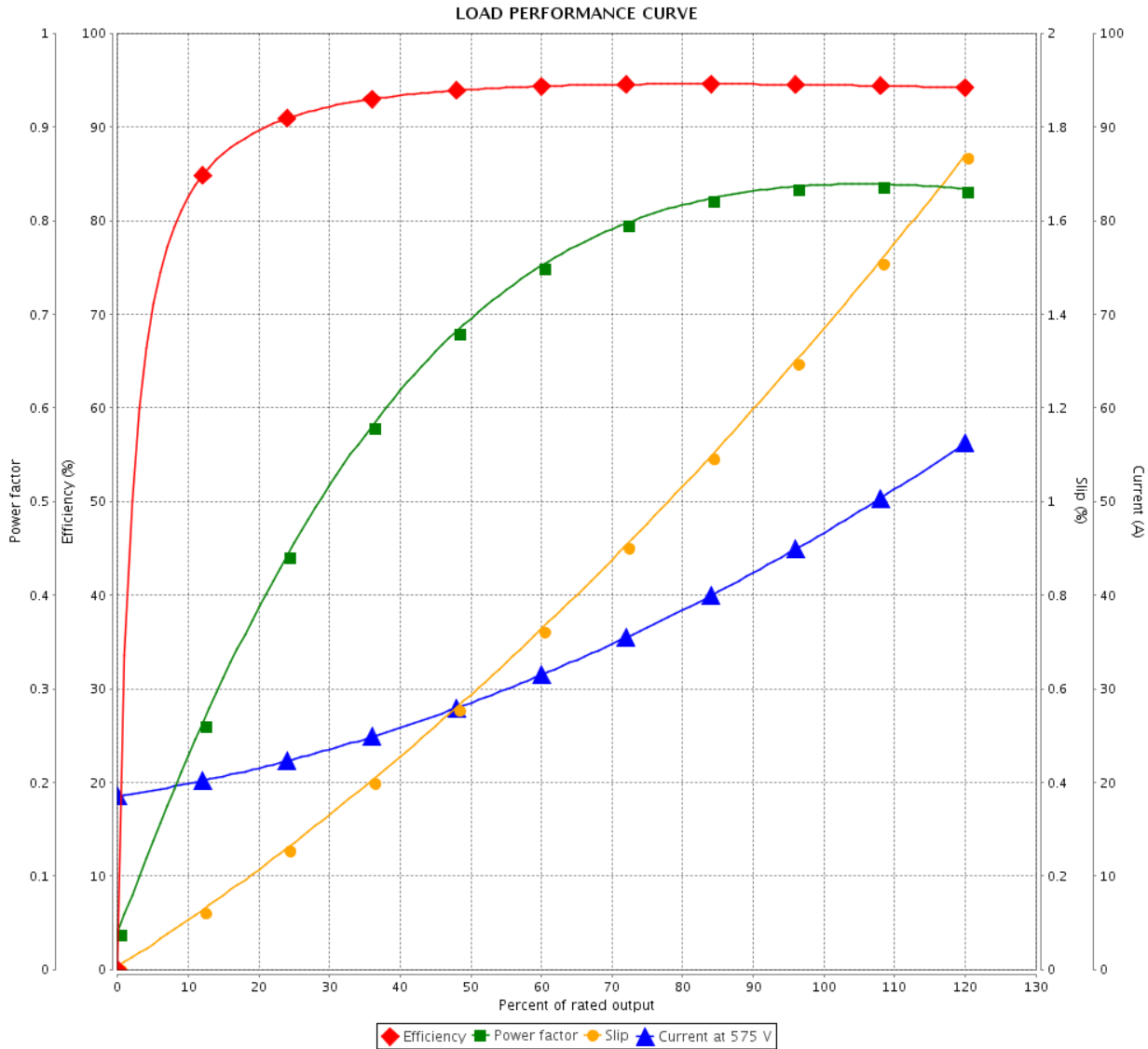
LOAD PERFORMANCE CURVE



Three Phase Induction Motor - Squirrel Cage

Customer : Dealers Industrial Equipment 800-469-3110
 Customer reference : 05018OT3H326JM-W40

Product line : W40 JM Pump NEMA Premium Efficiency Three-Phase Product code : 14484725
 Catalog # : 05018OT3H326JM-W40



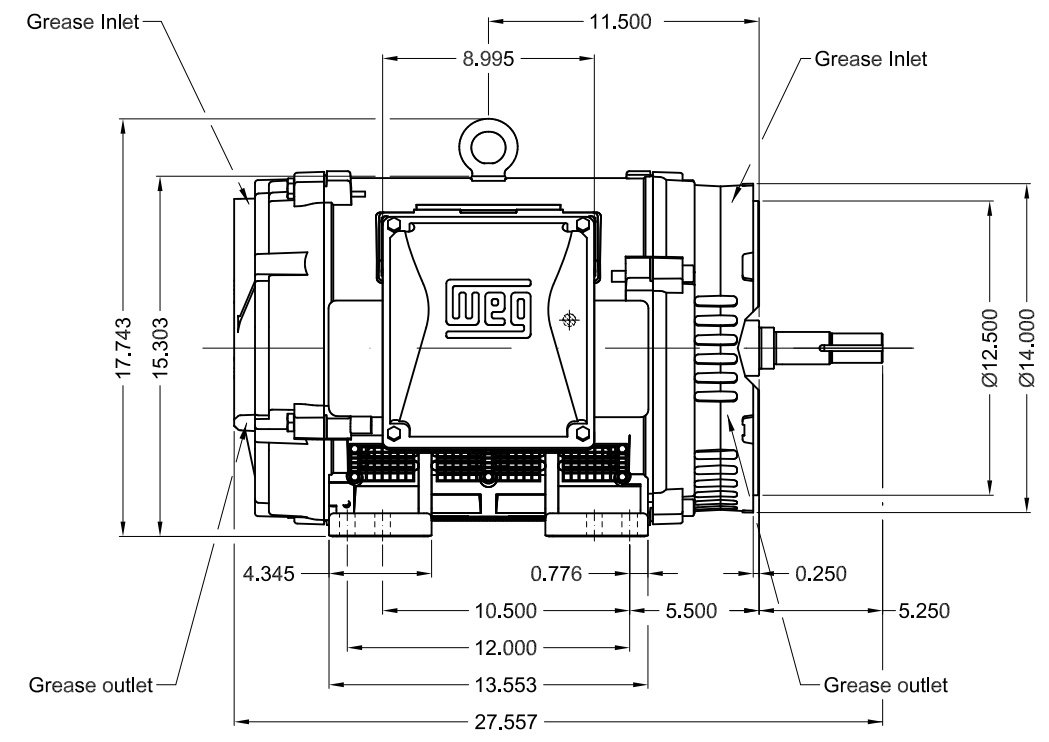
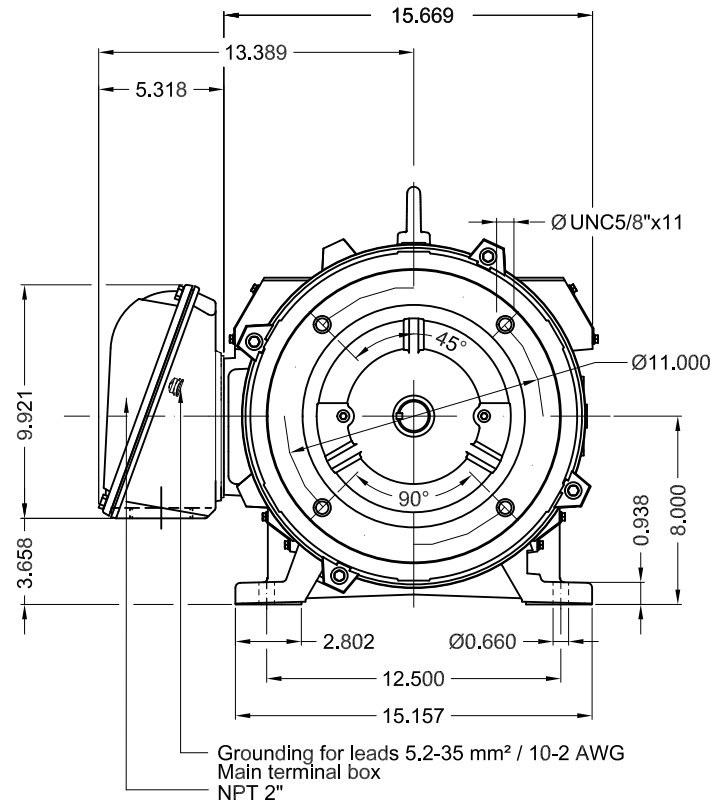
Performance : 575 V 60 Hz 4P

Rated current : 46.8 A	Moment of inertia (J) : 7.08 sq.ft.lb
LRC : 6.3	Duty cycle : Cont.(S1)
Rated torque : 146 ft.lb	Insulation class : F
Locked rotor torque : 240 %	Service factor : 1.25
Breakdown torque : 240 %	Temperature rise : 80 K
Rated speed : 1775 rpm	Design : B

Rev.	Changes Summary	Performed	Checked	Date
Performed by			Page 2 / 2	Revision
Checked by				
Date	14/04/2019			

Dimensões em polegada
Dimensions in inches

THIS IS AN UPDATED REVISION, THE
PREVIOUS ONE MUST BE DISREGARDED.



Color RAL 5009		Painting plan 203A		Mounting B34R(D)	
				SCALE	1:8
ECM	LOC	SUMMARY OF MODIFICATIONS	EXECUTED	CHECKED	RELEASED
EXECUTED	USERADMIN	THREE PHASE W40 MOTOR NEMA PREMIUM EFF			
CHECKED		FRAME 324/6JM IP23 ODP			
RELEASED		CLOSE COUPLED PUMP JM TYPE W			
REL DT	14.04.2019	WMO Jaragua do Sul	Product Engineering	SHEET	1 / 1

50 HP 04 Poles 60Hz

A



ZME A3