

DATA SHEET



Three Phase Induction Motor - Squirrel Cage

Customer		: Dealers Industrial Equipment 800-469-3110				
Customer reference		: 04036OT3E286JM-W40				
Product line		: W40 JM Pump NEMA Premium Efficiency Three-Phase		Product code : 14484722		
				Catalog # : 04036OT3E286JM-W40		
Frame		: 284/6JM		Locked rotor time		
Output		: 40 HP (30 kW)		: 14s (cold) 8s (hot)		
Poles		: 2		Temperature rise		
Frequency		: 60 Hz		: 80 K		
Rated voltage		: 208-230/460 V		Duty cycle		
Rated current		: 104-93.6/46.8 A		: Cont.(S1)		
L. R. Amperes		: 673-608/304 A		Ambient temperature		
LRC		: 6.5x(Code G)		: -20°C to +40°C		
No load current		: 25.7-29.8/14.9 A		Altitude		
Rated speed		: 3540 rpm		: 1000 m.a.s.l.		
Slip		: 1.67 %		Protection degree		
Rated torque		: 58.5 ft.lb		: IP23		
Locked rotor torque		: 190 %		Cooling method		
Breakdown torque		: 260 %		: IC01 - ODP		
Insulation class		: F		Mounting		
Service factor		: 1.25		: F-1		
Moment of inertia (J)		: 2.02 sq.ft.lb		Rotation ¹		
Design		: B		: Both (CW and CCW)		
				Noise level ²		
				: 73.0 dB(A)		
				Starting method		
				: Direct On Line		
				Approx. weight ³		
				: 364 lb		
Output		25%	50%	75%	100%	
Efficiency (%)		91.5	91.7	92.4	92.4	
Power Factor		0.51	0.76	0.84	0.87	
		Foundation loads				
		Max. traction				
		Max. compression				
		<u>Drive end</u>		<u>Non drive end</u>		
Bearing type		: 6311 Z C3		6211 Z C3		
Sealing		: Without Bearing Seal		Without Bearing Seal		
Lubrication interval		: 20000 h		20000 h		
Lubricant amount		: 18 g		11 g		
Lubricant type		: Mobil Polyrex EM				
Notes						
downloaded from http://dealerselectric.com						
This revision replaces and cancel the previous one, which must be eliminated.			These are average values based on tests with sinusoidal power supply, subject to the tolerances stipulated in NEMA MG-1.			
(1) Looking the motor from the shaft end.						
(2) Measured at 1m and with tolerance of +3dB(A).						
(3) Approximate weight subject to changes after manufacturing process.						
(4) At 100% of full load.						
Rev.	Changes Summary			Performed	Checked	Date
Performed by						
Checked by					Page	Revision
Date	14/04/2019				1 / 2	

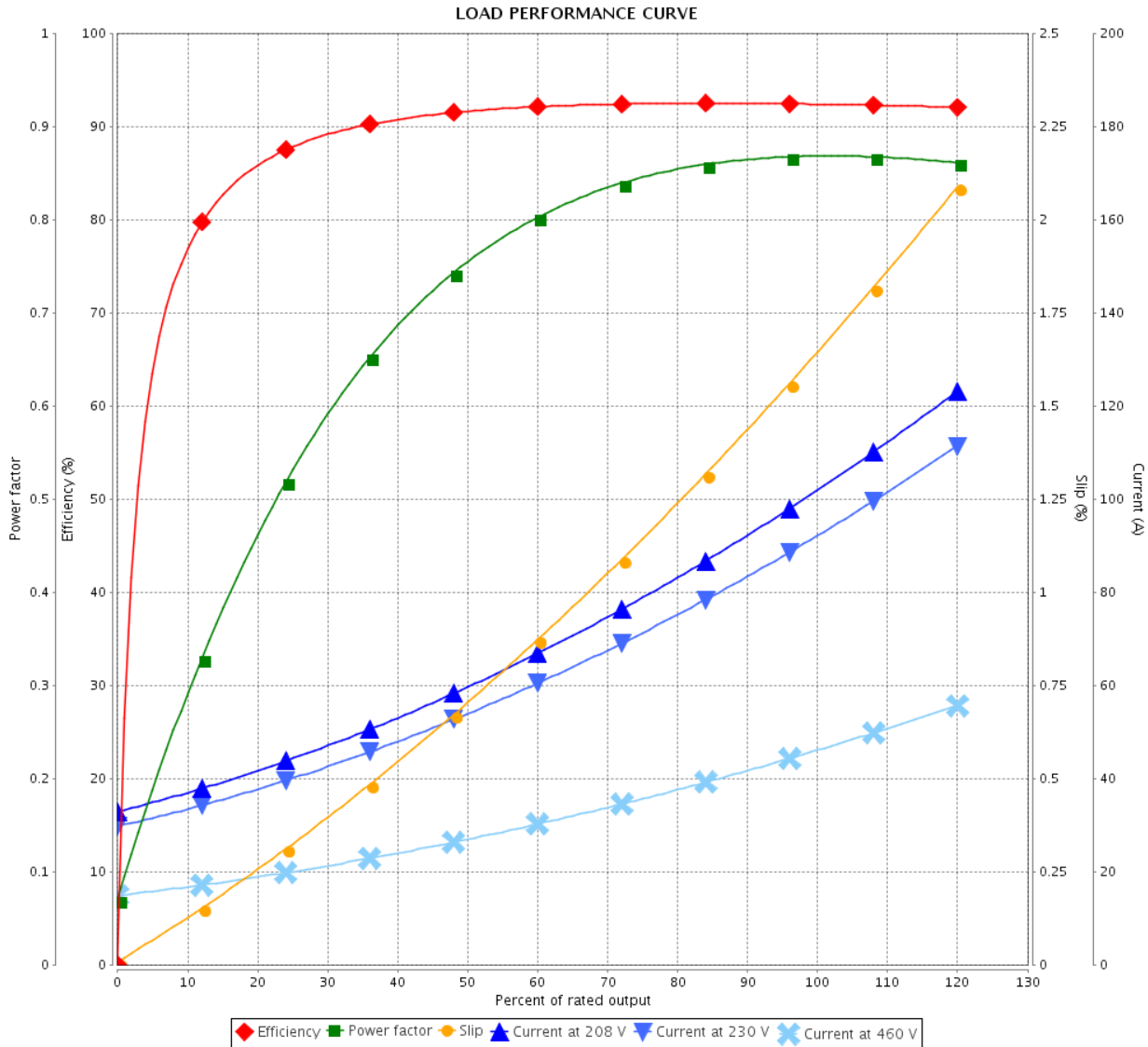
LOAD PERFORMANCE CURVE



Three Phase Induction Motor - Squirrel Cage

Customer : Dealers Industrial Equipment 800-469-3110
 Customer reference : 04036OT3E286JM-W40

Product line : W40 JM Pump NEMA Premium Efficiency Three-Phase Product code : 14484722
 Catalog # : 04036OT3E286JM-W40



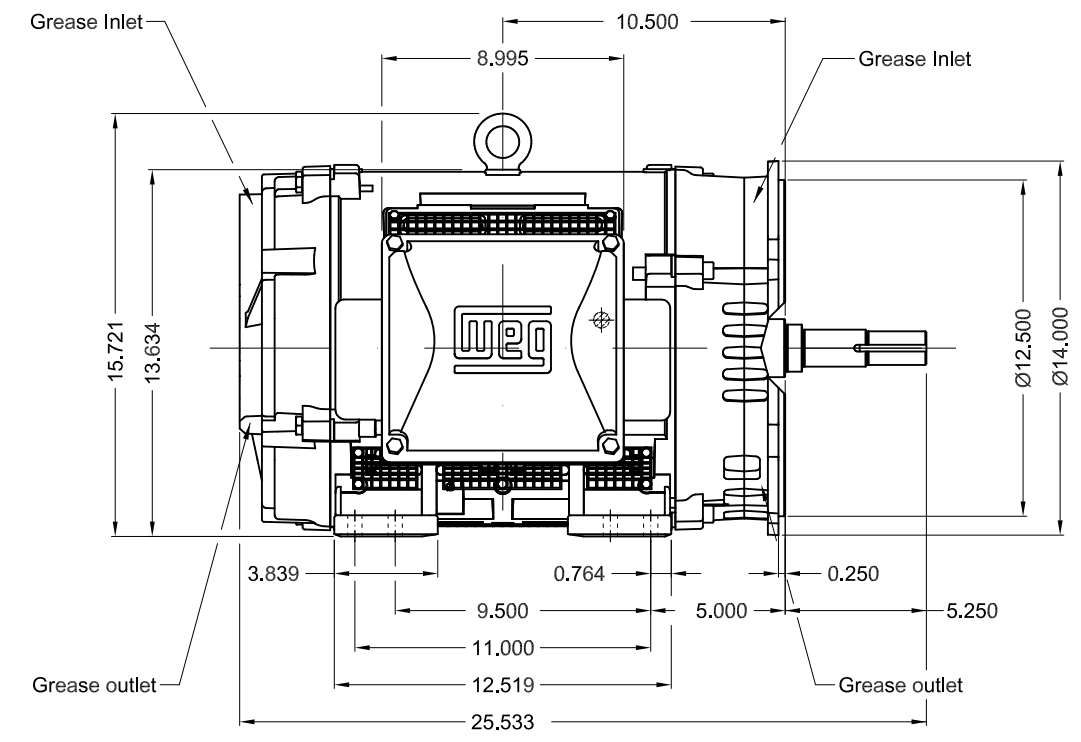
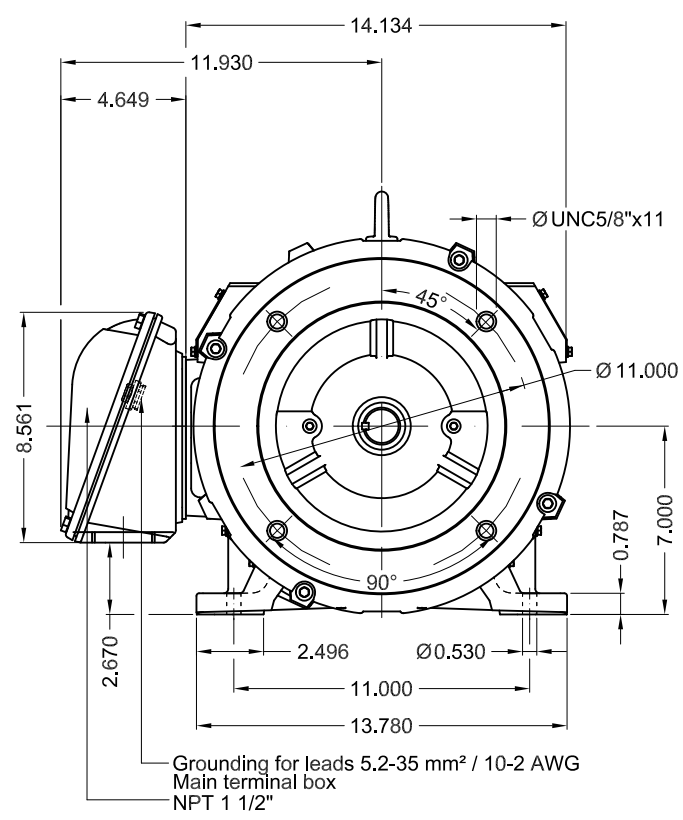
Performance : 208-230/460 V 60 Hz 2P

Rated current : 104-93.6/46.8 A	Moment of inertia (J) : 2.02 sq.ft.lb
LRC : 6.5	Duty cycle : Cont.(S1)
Rated torque : 58.5 ft.lb	Insulation class : F
Locked rotor torque : 190 %	Service factor : 1.25
Breakdown torque : 260 %	Temperature rise : 80 K
Rated speed : 3540 rpm	Design : B

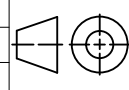
Rev.	Changes Summary	Performed	Checked	Date
Performed by			Page	Revision
Checked by				
Date				

Dimensões em polegada
Dimensions in inches

THIS IS AN UPDATED REVISION, THE
PREVIOUS ONE MUST BE DISREGARDED.



Color RAL 5009
Painting plan 203A
Mounting B34R(D)

					SCALE	1:7	
ECM	LOC	SUMMARY OF MODIFICATIONS	EXECUTED	CHECKED	RELEASED	DATE	VER
EXECUTED	USERADMIN	 THREE PHASE W40 MOTOR NEMA PREMIUM EFF FRAME 284/6JM IP23 ODP CLOSE COUPLED PUMP JM TYPE W					
CHECKED							
RELEASED							
REL DT	14.04.2019	WMO Jaragua do Sul	Product Engineering	SHEET	1 / 1		

40 HP 02 Poles 60Hz

A



MODEL 040360T3E286JM-W40
MADE IN BRAZIL
14484722

WEG **W40 NEMA**
CC029A Premium
Inverter Duty Motor

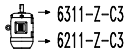
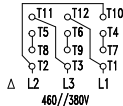
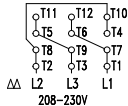


IEC 60034-1



For 60Hz use on PWM, VT 1000:1, CT 3:1, 1.0SF

PH 3	FR 284/6JM	HP(kW) 40.0(30.0)	Hz 60
V 230/460	A 93.6/46.8	RPM 3540	DES B
NEMA NOM EFF 92.4 %	INS. CL. F Δ T 80 K	IP23	
ENCL ODP	DUTY CONT.	AMB. 40°C	
CODE G	PF 0.87	SF 1.25	SFA 117/58.5
USABLE @208V 104 A	SF 1.15	SFA 120	
22kW 50Hz 380V 41.9A 2950RPM SF1.00 EFF 92.8% (IE3)	ALT 1000 m.a.s.l.	364 Lbs	



MOBIL POLYREX EM
18 g 20000 h