

# DATA SHEET



## Three Phase Induction Motor - Squirrel Cage

Customer : Dealers Industrial Equipment 800-469-3110  
 Customer reference : 02536OT3H256JM-W40

Product line : W40 JM Pump NEMA Premium Efficiency Three-Phase      Product code : 14484688  
 Catalog # : 02536OT3H256JM-W40

|                       |                   |                             |                        |
|-----------------------|-------------------|-----------------------------|------------------------|
| Frame                 | : 254/6JM         | Locked rotor time           | : 19s (cold) 11s (hot) |
| Output                | : 25 HP (18.5 kW) | Temperature rise            | : 80 K                 |
| Poles                 | : 2               | Duty cycle                  | : Cont.(S1)            |
| Frequency             | : 60 Hz           | Ambient temperature         | : -20°C to +40°C       |
| Rated voltage         | : 575 V           | Altitude                    | : 1000 m.a.s.l.        |
| Rated current         | : 23.0 A          | Protection degree           | : IP23                 |
| L. R. Amperes         | : 150 A           | Cooling method              | : IC01 - ODP           |
| LRC                   | : 6.5x(Code G)    | Mounting                    | : F-1                  |
| No load current       | : 6.80 A          | Rotation <sup>1</sup>       | : Both (CW and CCW)    |
| Rated speed           | : 3535 rpm        | Starting method             | : Direct On Line       |
| Slip                  | : 1.81 %          | Approx. weight <sup>3</sup> | : 276 lb               |
| Rated torque          | : 36.6 ft.lb      |                             |                        |
| Locked rotor torque   | : 200 %           |                             |                        |
| Breakdown torque      | : 280 %           |                             |                        |
| Insulation class      | : F               |                             |                        |
| Service factor        | : 1.25            |                             |                        |
| Moment of inertia (J) | : 1.13 sq.ft.lb   |                             |                        |
| Design                | : B               |                             |                        |

|                |      |      |      |      |                  |
|----------------|------|------|------|------|------------------|
| Output         | 25%  | 50%  | 75%  | 100% | Foundation loads |
| Efficiency (%) | 90.8 | 91.0 | 91.7 | 91.7 | Max. traction    |
| Power Factor   | 0.53 | 0.77 | 0.85 | 0.88 | Max. compression |

|                      |   |                      |                      |
|----------------------|---|----------------------|----------------------|
|                      |   | <u>Drive end</u>     | <u>Non drive end</u> |
| Bearing type         | : | 6309 Z C3            | 6209 Z C3            |
| Sealing              | : | Without Bearing Seal | Without Bearing Seal |
| Lubrication interval | : | 20000 h              | 20000 h              |
| Lubricant amount     | : | 13 g                 | 9 g                  |
| Lubricant type       | : | Mobil Polyrex EM     |                      |

Notes  
 downloaded from <http://dealerselectric.com>

This revision replaces and cancel the previous one, which must be eliminated.  
 (1) Looking the motor from the shaft end.  
 (2) Measured at 1m and with tolerance of +3dB(A).  
 (3) Approximate weight subject to changes after manufacturing process.  
 (4) At 100% of full load.

These are average values based on tests with sinusoidal power supply, subject to the tolerances stipulated in NEMA MG-1.

|              |                 |           |         |          |
|--------------|-----------------|-----------|---------|----------|
| Rev.         | Changes Summary | Performed | Checked | Date     |
| Performed by |                 |           |         |          |
| Checked by   |                 |           | Page    | Revision |
| Date         | 14/04/2019      |           | 1 / 2   |          |

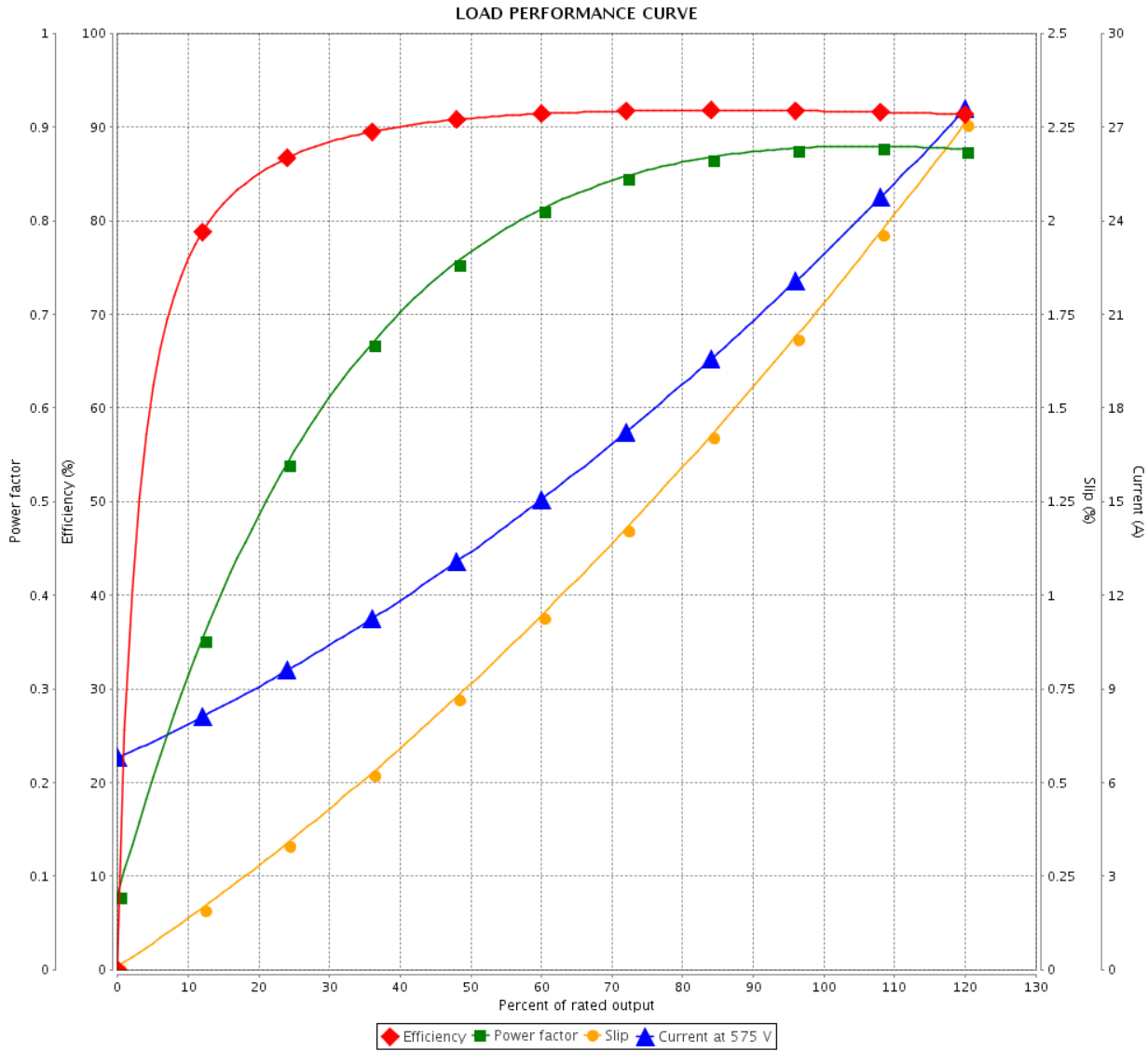
# LOAD PERFORMANCE CURVE



## Three Phase Induction Motor - Squirrel Cage

Customer : Dealers Industrial Equipment 800-469-3110  
 Customer reference : 02536OT3H256JM-W40

Product line : W40 JM Pump NEMA Premium Efficiency Three-Phase      Product code : 14484688  
 Catalog # : 02536OT3H256JM-W40



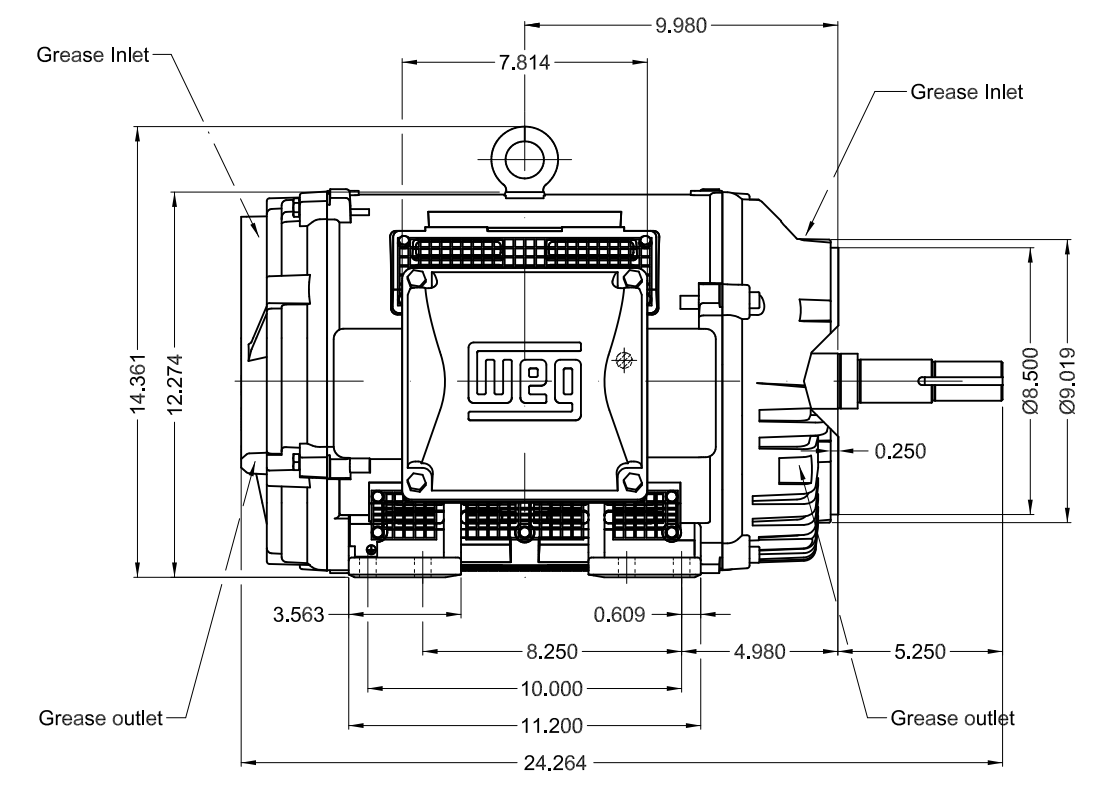
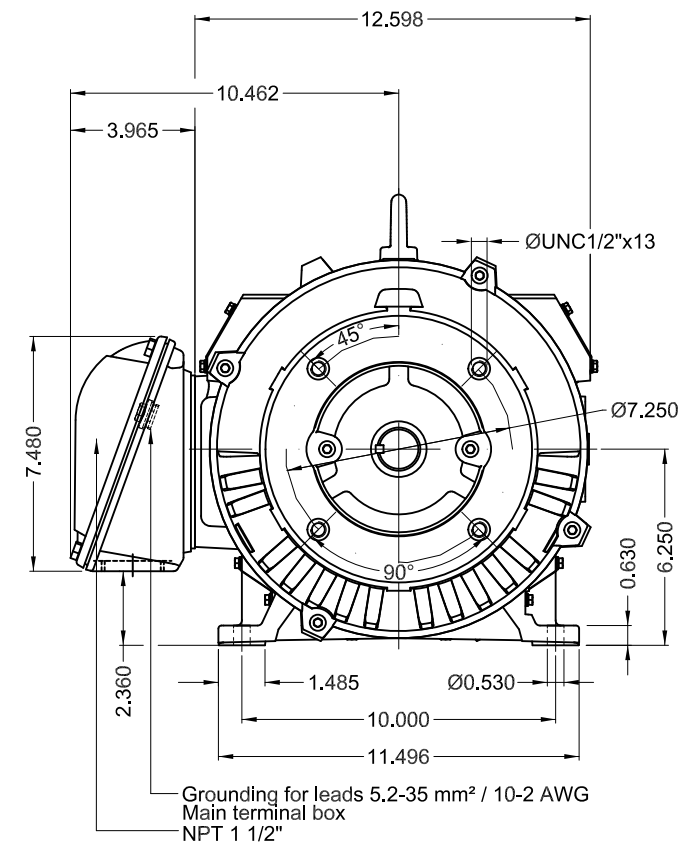
Performance : 575 V 60 Hz 2P

|                             |                                       |
|-----------------------------|---------------------------------------|
| Rated current : 23.0 A      | Moment of inertia (J) : 1.13 sq.ft.lb |
| LRC : 6.5                   | Duty cycle : Cont.(S1)                |
| Rated torque : 36.6 ft.lb   | Insulation class : F                  |
| Locked rotor torque : 200 % | Service factor : 1.25                 |
| Breakdown torque : 280 %    | Temperature rise : 80 K               |
| Rated speed : 3535 rpm      | Design : B                            |

| Rev.         | Changes Summary | Performed | Checked       | Date     |
|--------------|-----------------|-----------|---------------|----------|
|              |                 |           |               |          |
| Performed by |                 |           | Page<br>2 / 2 | Revision |
| Checked by   |                 |           |               |          |
| Date         | 14/04/2019      |           |               |          |

Dimensões em polegada  
Dimensions in inches

THIS IS AN UPDATED REVISION, THE  
PREVIOUS ONE MUST BE DISREGARDED.



|                    |            |  |                |                     |          |         |          |      |     |
|--------------------|------------|--|----------------|---------------------|----------|---------|----------|------|-----|
| Color RAL 5009     |            |  |                |                     |          |         |          |      |     |
| Painting plan 203A |            |  |                |                     |          |         |          |      |     |
| Mounting B34R(D)   |            |  |                |                     |          |         |          |      |     |
|                    |            |  |                |                     | SCALE    | 1:6     |          |      |     |
| ECM                | LOC        | SUMMARY OF MODIFICATIONS               |                |                     | EXECUTED | CHECKED | RELEASED | DATE | VER |
| EXECUTED           | USERADMIN  | THREE PHASE W40 MOTOR NEMA PREMIUM EFF |                |                     |          |         |          |      |     |
| CHECKED            |            | FRAME 254/6JM IP23 ODP                 |                |                     |          |         |          |      |     |
| RELEASED           |            | CLOSE COUPLED PUMP JM TYPE   W         |                |                     |          |         |          |      |     |
| REL DT             | 14.04.2019 | WMO                                    | Jaragua do Sul | Product Engineering | SHEET    | 1 / 1   |          |      |     |

25 HP 02 Poles 60Hz

A

