

DATA SHEET



Three Phase Induction Motor - Squirrel Cage

Customer : Dealers Industrial Equipment 800-469-3110
 Customer reference : 02536OT3E256JM-W40

Product line : W40 JM Pump NEMA Premium Efficiency Three-Phase Product code : 14484577
 Catalog # : 02536OT3E256JM-W40

Frame	: 254/6JM	Locked rotor time	: 19s (cold) 11s (hot)
Output	: 25 HP (18.5 kW)	Temperature rise	: 80 K
Poles	: 2	Duty cycle	: Cont.(S1)
Frequency	: 60 Hz	Ambient temperature	: -20°C to +40°C
Rated voltage	: 208-230/460 V	Altitude	: 1000 m.a.s.l.
Rated current	: 63.7-57.6/28.8 A	Protection degree	: IP23
L. R. Amperes	: 414-374/187 A	Cooling method	: IC01 - ODP
LRC	: 6.5x(Code G)	Mounting	: F-1
No load current	: 14.7-17.0/8.50 A	Rotation ¹	: Both (CW and CCW)
Rated speed	: 3535 rpm	Starting method	: Direct On Line
Slip	: 1.81 %	Approx. weight ³	: 276 lb
Rated torque	: 36.6 ft.lb		
Locked rotor torque	: 200 %		
Breakdown torque	: 280 %		
Insulation class	: F		
Service factor	: 1.25		
Moment of inertia (J)	: 1.13 sq.ft.lb		
Design	: B		

Output	25%	50%	75%	100%	Foundation loads
Efficiency (%)	90.8	91.0	91.7	91.7	Max. traction
Power Factor	0.53	0.77	0.85	0.88	Max. compression

		<u>Drive end</u>	<u>Non drive end</u>
Bearing type	:	6309 Z C3	6209 Z C3
Sealing	:	Without Bearing Seal	Without Bearing Seal
Lubrication interval	:	20000 h	20000 h
Lubricant amount	:	13 g	9 g
Lubricant type	:	Mobil Polyrex EM	

Notes
 downloaded from <http://dealerselectric.com>

This revision replaces and cancel the previous one, which must be eliminated.
 (1) Looking the motor from the shaft end.
 (2) Measured at 1m and with tolerance of +3dB(A).
 (3) Approximate weight subject to changes after manufacturing process.
 (4) At 100% of full load.

These are average values based on tests with sinusoidal power supply, subject to the tolerances stipulated in NEMA MG-1.

Rev.	Changes Summary	Performed	Checked	Date
Performed by		Page		Revision
Checked by		1 / 2		
Date	14/04/2019			

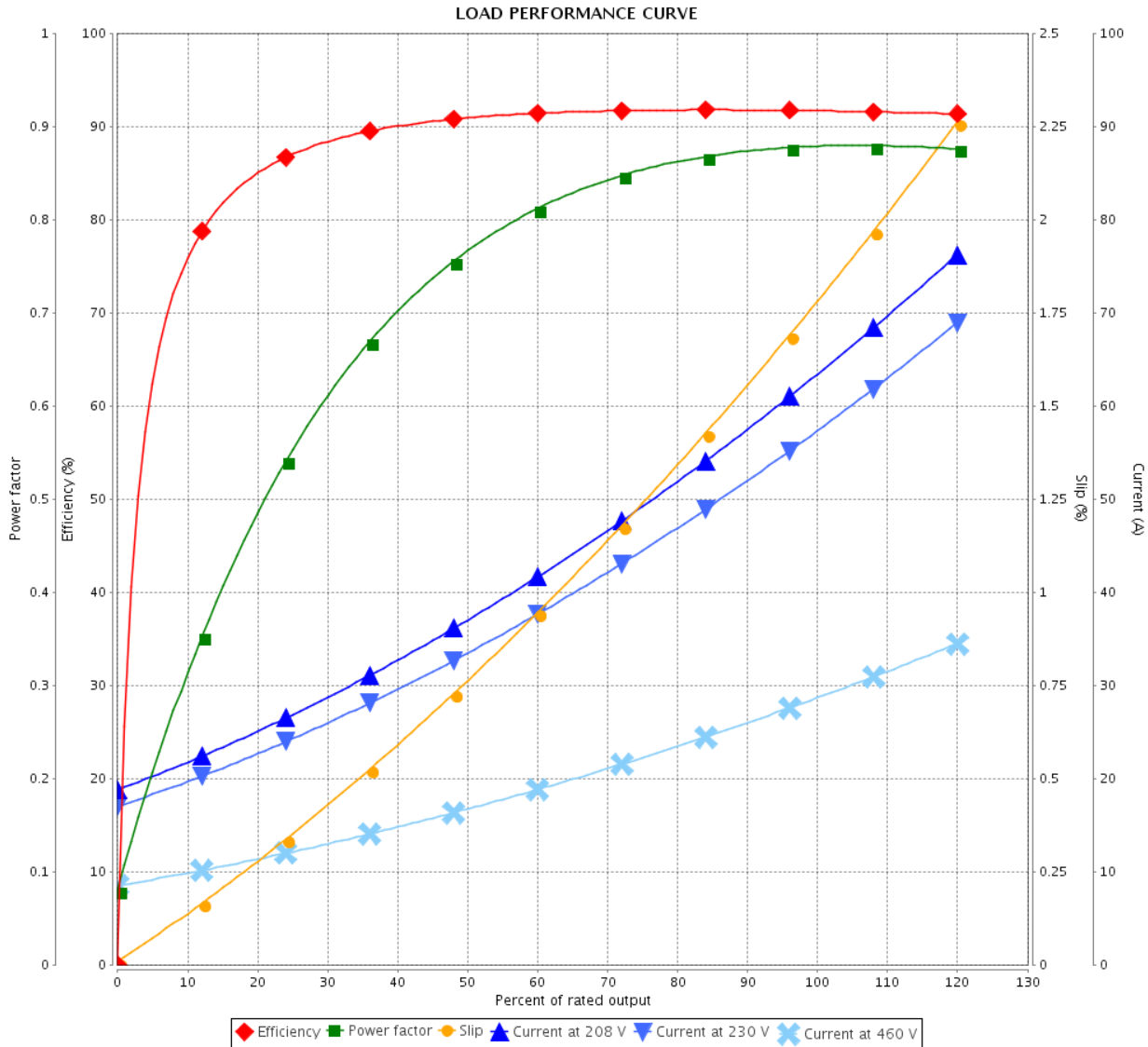
LOAD PERFORMANCE CURVE



Three Phase Induction Motor - Squirrel Cage

Customer : Dealers Industrial Equipment 800-469-3110
 Customer reference : 02536OT3E256JM-W40

Product line : W40 JM Pump NEMA Premium Efficiency Three-Phase Product code : 14484577
 Catalog # : 02536OT3E256JM-W40



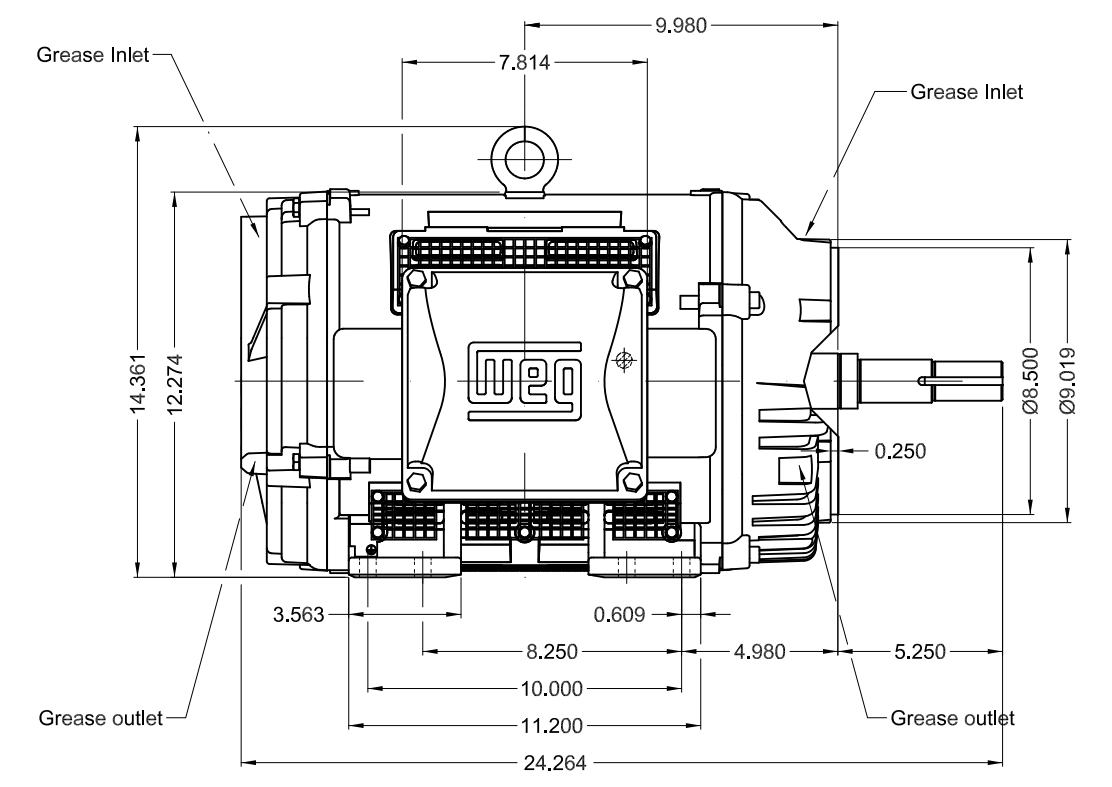
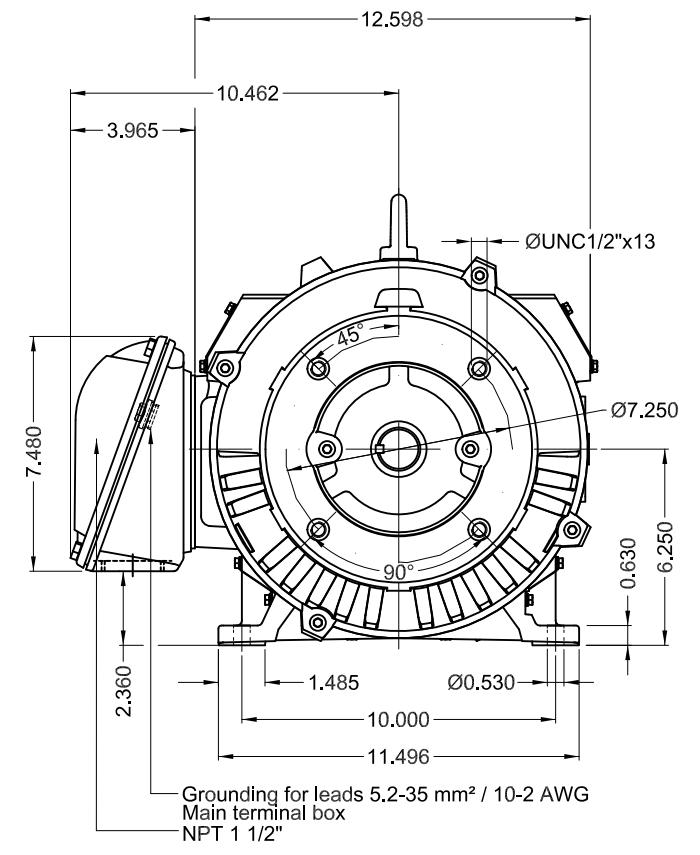
Performance : 208-230/460 V 60 Hz 2P

Rated current : 63.7-57.6/28.8 A	Moment of inertia (J) : 1.13 sq.ft.lb
LRC : 6.5	Duty cycle : Cont.(S1)
Rated torque : 36.6 ft.lb	Insulation class : F
Locked rotor torque : 200 %	Service factor : 1.25
Breakdown torque : 280 %	Temperature rise : 80 K
Rated speed : 3535 rpm	Design : B

Rev.	Changes Summary	Performed	Checked	Date
Performed by			Page	Revision
Checked by				
Date				

Dimensões em polegada
Dimensions in inches

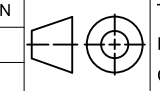
THIS IS AN UPDATED REVISION, THE
PREVIOUS ONE MUST BE DISREGARDED.



Color RAL 5009						
Painting plan 203A						
Mounting B34R(D)						
					SCALE	1:6
ECM	LOC	SUMMARY OF MODIFICATIONS			EXECUTED	CHECKED
EXECUTED	USERADMIN	THREE PHASE W40 MOTOR NEMA PREMIUM EFF				
CHECKED		FRAME 254/6JM IP23 ODP				
RELEASED		CLOSE COUPLED PUMP JM TYPE W				
REL DT	14.04.2019	WMO	Jaragua do Sul	Product Engineering	SHEET	1 / 1

25 HP 02 Poles 60Hz

A



MODEL 025360T3E256JM-W40
MADE IN BRAZIL
14484577

WEG **W40 NEMA**
CC029A Premium
Inverter Duty Motor

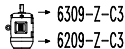
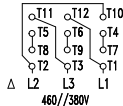
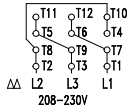


IEC 60034-1



For 60Hz use on PWM, VT 1000:1, CT 3:1, 1.0SF

PH 3	FR 254/6JM	HP(kW) 25.0(18.5)	Hz 60
V 230/460	A 57.6/28.8	RPM 3535	DES B
NEMA NOM EFF 91.7 %	INS. CL. F Δ T 80 K	IP23	
ENCL ODP	DUTY CONT.	AMB. 40°C	
CODE G	PF 0.88	SF 1.25	SFA 72.0/36.0
USABLE @208V 63.7 A	SF 1.15	SFA 73.3	
20HP 15kW 50Hz 380V 28.2A 2935RPM SF1.00 EFF 91.9% (IE3)	ALT 1000 m.a.s.l.	243 Lbs	



MOBIL POLYREX EM
13 g 20000 h