

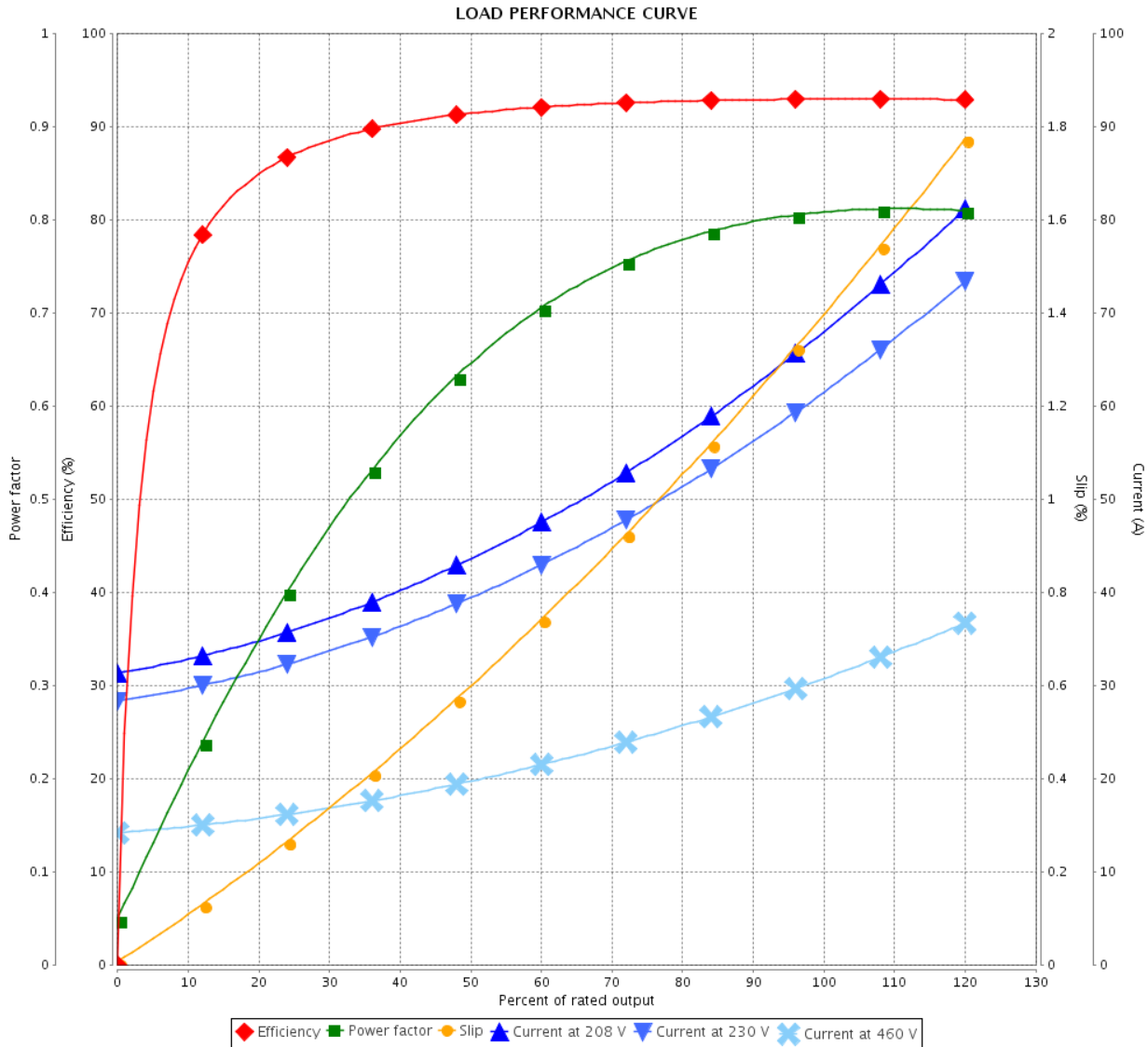
LOAD PERFORMANCE CURVE



Three Phase Induction Motor - Squirrel Cage

Customer : Dealers Industrial Equipment 800-469-3110
 Customer reference : 02512OT3E324JM-W40

Product line : W40 JM Pump NEMA Premium Efficiency Three-Phase Product code : 14484572
 Catalog # : 02512OT3E324JM-W40



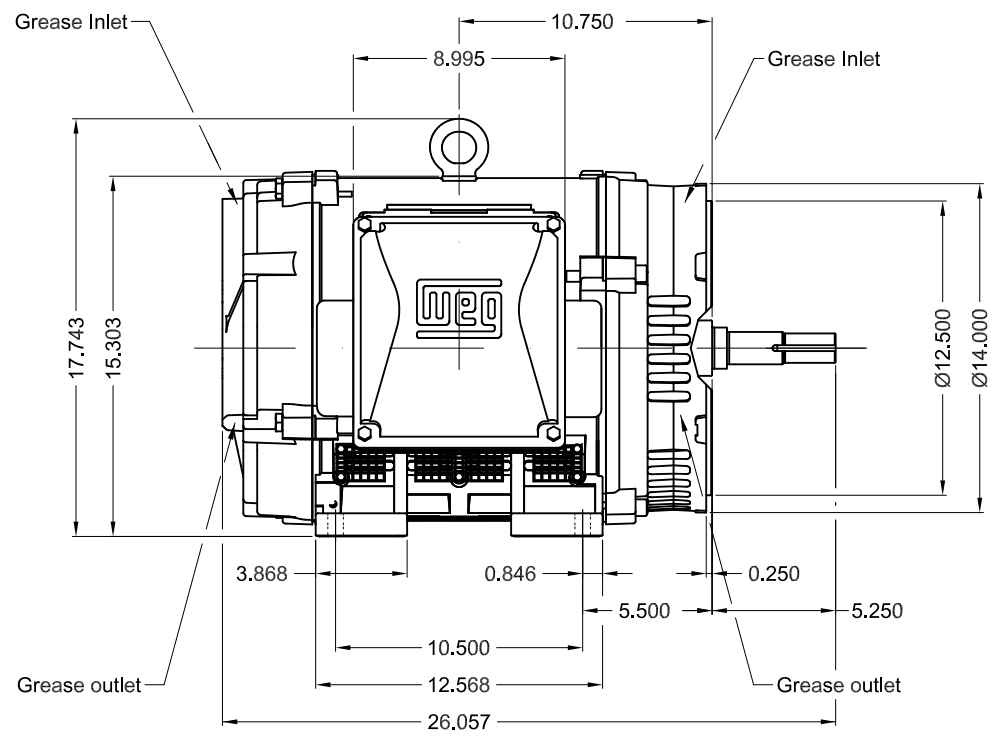
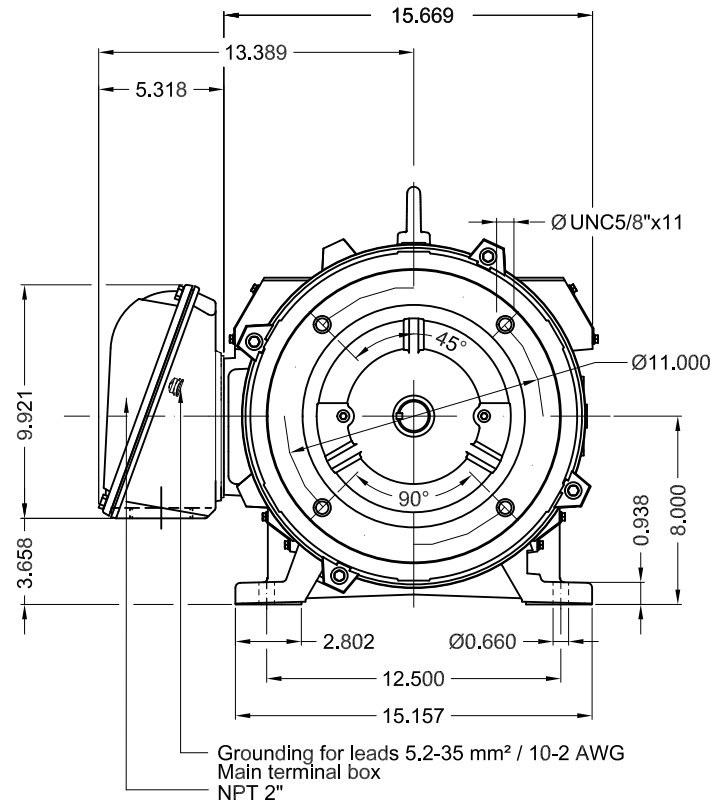
Performance : 208-230/460 V 60 Hz 6P

Rated current : 68.1-61.6/30.8 A	Moment of inertia (J) : 7.69 sq.ft.lb
LRC : 6.2	Duty cycle : Cont.(S1)
Rated torque : 109 ft.lb	Insulation class : F
Locked rotor torque : 210 %	Service factor : 1.25
Breakdown torque : 250 %	Temperature rise : 80 K
Rated speed : 1183 rpm	Design : B

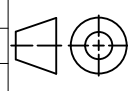
Rev.	Changes Summary	Performed	Checked	Date
Performed by			Page	Revision
Checked by				
Date				

Dimensões em polegada
Dimensions in inches

THIS IS AN UPDATED REVISION, THE
PREVIOUS ONE MUST BE DISREGARDED.



Color RAL 5009
Painting plan 203A
Mounting B34R(D)

					SCALE	1:8		
ECM	LOC	SUMMARY OF MODIFICATIONS		EXECUTED	CHECKED	RELEASED	DATE	VER
EXECUTED	USERADMIN		THREE PHASE W40 MOTOR NEMA PREMIUM EFF					
CHECKED			FRAME 324JM IP23 ODP					
RELEASED			CLOSE COUPLED PUMP JM TYPE W					
REL DT	14.04.2019	WMO	Jaragua do Sul	Product Engineering	SHEET	1 / 1		

25 HP 06 Poles 60Hz

A

