

# DATA SHEET



## Three Phase Induction Motor - Squirrel Cage

Customer		: Dealers Industrial Equipment 800-469-3110				
Customer reference		: 02012OT3E286JM-W40				
Product line		: W40 JM Pump NEMA Premium Efficiency Three-Phase		Product code :	14483251	
				Catalog # :	02012OT3E286JM-W40	
Frame	:	284/6JM		Locked rotor time	: 27s (cold) 15s (hot)	
Output	:	20 HP (15 kW)		Temperature rise	: 80 K	
Poles	:	6		Duty cycle	: Cont.(S1)	
Frequency	:	60 Hz		Ambient temperature	: -20°C to +40°C	
Rated voltage	:	208-230/460 V		Altitude	: 1000 m.a.s.l.	
Rated current	:	53.7-48.6/24.3 A		Protection degree	: IP23	
L. R. Amperes	:	344-311/156 A		Cooling method	: IC01 - ODP	
LRC	:	6.4x(Code G)		Mounting	: F-1	
No load current	:	16.2-18.8/9.40 A		Rotation <sup>1</sup>	: Both (CW and CCW)	
Rated speed	:	1177 rpm		Noise level <sup>2</sup>	: 59.0 dB(A)	
Slip	:	1.92 %		Starting method	: Direct On Line	
Rated torque	:	88.0 ft.lb		Approx. weight <sup>3</sup>	: 400 lb	
Locked rotor torque	:	229 %				
Breakdown torque	:	260 %				
Insulation class	:	F				
Service factor	:	1.25				
Moment of inertia (J)	:	6.89 sq.ft.lb				
Design	:	B				
Output	25%	50%	75%	100%	Foundation loads	
Efficiency (%)	91.5	91.7	92.4	92.4	Max. traction	
Power Factor	0.45	0.71	0.80	0.84	Max. compression	
		<u>Drive end</u>		<u>Non drive end</u>		
Bearing type	:	6311 Z C3		6211 Z C3		
Sealing	:	Without Bearing Seal		Without Bearing Seal		
Lubrication interval	:	20000 h		20000 h		
Lubricant amount	:	18 g		11 g		
Lubricant type	:	Mobil Polyrex EM				
Notes downloaded from <a href="http://dealerselectric.com">http://dealerselectric.com</a>						
This revision replaces and cancel the previous one, which must be eliminated. (1) Looking the motor from the shaft end. (2) Measured at 1m and with tolerance of +3dB(A). (3) Approximate weight subject to changes after manufacturing process. (4) At 100% of full load.			These are average values based on tests with sinusoidal power supply, subject to the tolerances stipulated in NEMA MG-1.			
Rev.	Changes Summary			Performed	Checked	Date
Performed by						
Checked by					Page	Revision
Date	13/04/2019				1 / 2	

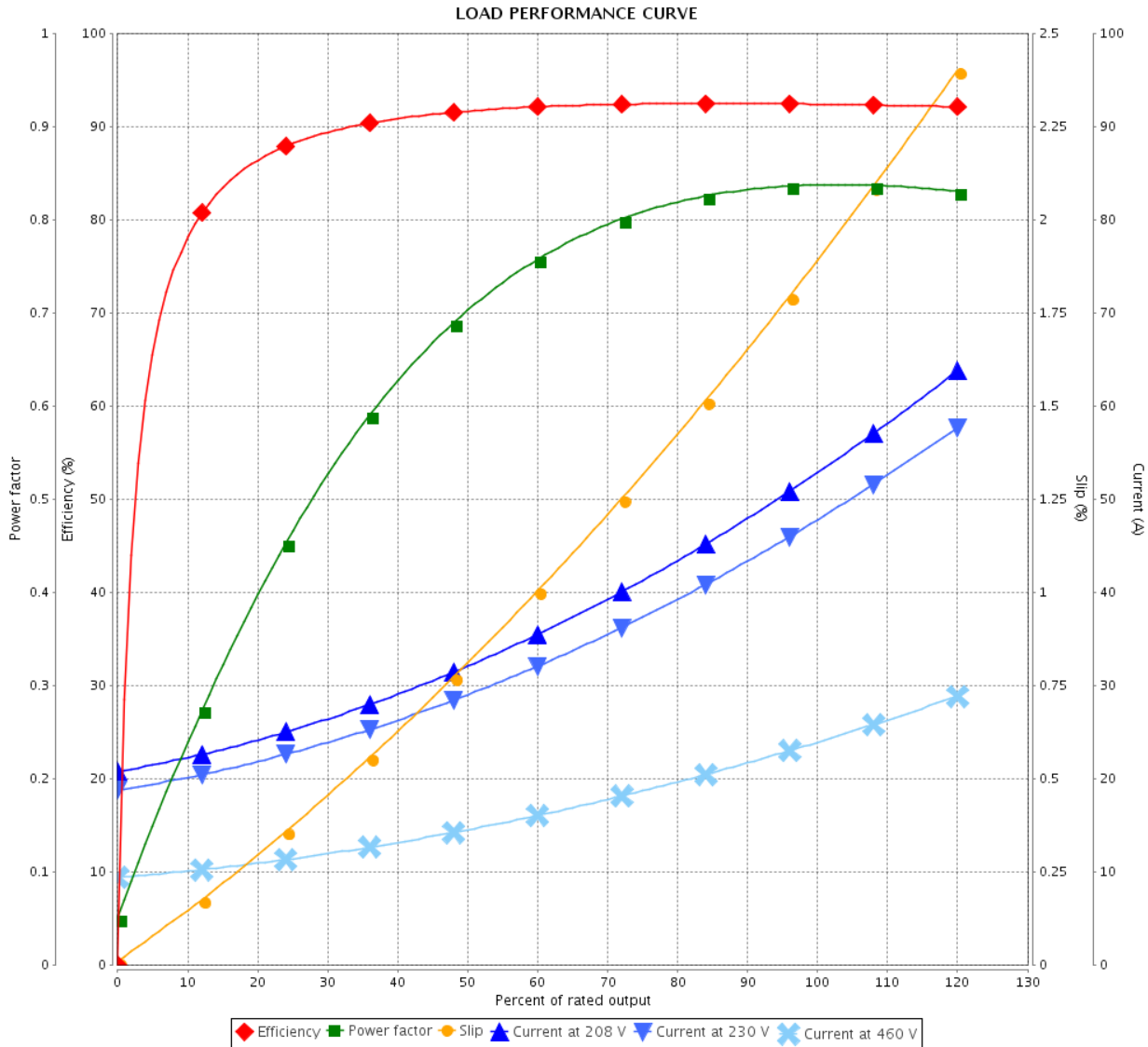
# LOAD PERFORMANCE CURVE



## Three Phase Induction Motor - Squirrel Cage

Customer : Dealers Industrial Equipment 800-469-3110  
 Customer reference : 02012OT3E286JM-W40

Product line : W40 JM Pump NEMA Premium Efficiency Three-Phase      Product code : 14483251  
 Catalog # : 02012OT3E286JM-W40



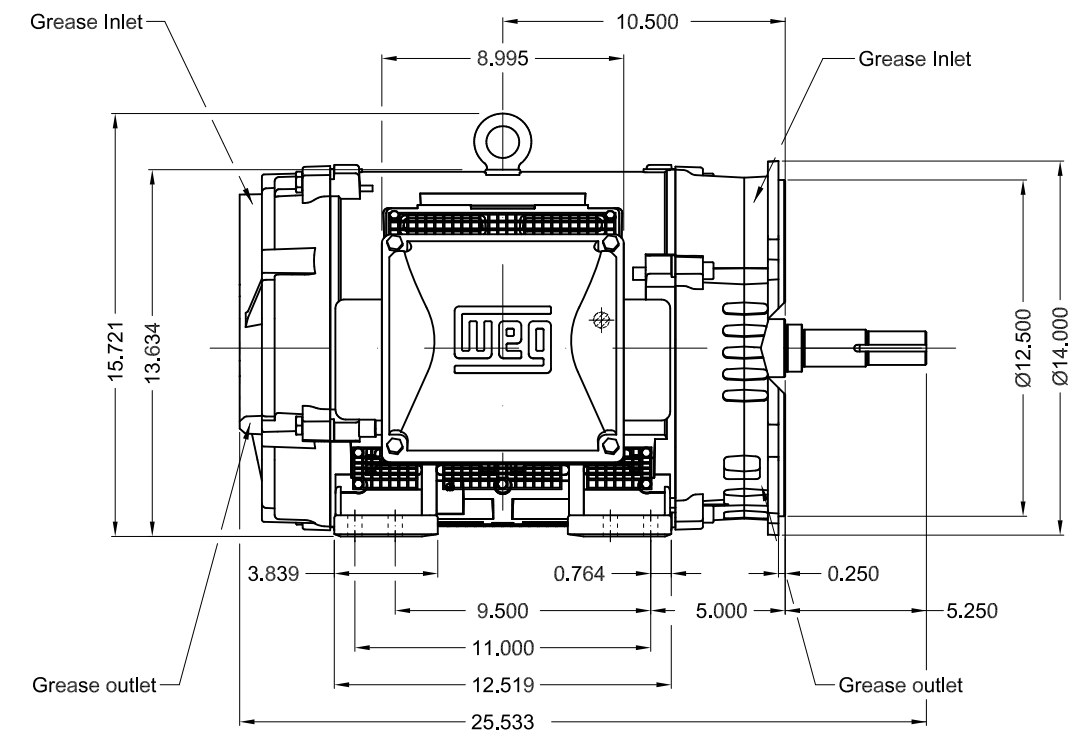
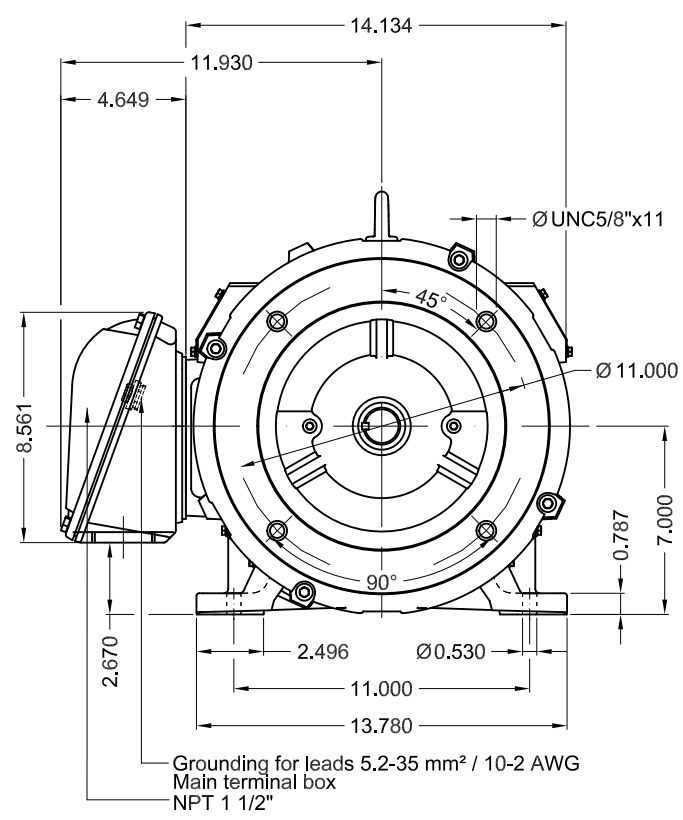
Performance : 208-230/460 V 60 Hz 6P

Rated current : 53.7-48.6/24.3 A	Moment of inertia (J) : 6.89 sq.ft.lb
LRC : 6.4	Duty cycle : Cont.(S1)
Rated torque : 88.0 ft.lb	Insulation class : F
Locked rotor torque : 229 %	Service factor : 1.25
Breakdown torque : 260 %	Temperature rise : 80 K
Rated speed : 1177 rpm	Design : B

Rev.	Changes Summary	Performed	Checked	Date
Performed by			Page	Revision
Checked by				
Date				

Dimensões em polegada  
Dimensions in inches

THIS IS AN UPDATED REVISION, THE  
PREVIOUS ONE MUST BE DISREGARDED.



Color RAL 5009									
Painting plan 203A									
Mounting B34R(D)									
					SCALE	1:7			
ECM	LOC	SUMMARY OF MODIFICATIONS			EXECUTED	CHECKED	RELEASED	DATE	VER
EXECUTED	USERADMIN	THREE PHASE W40 MOTOR NEMA PREMIUM EFF							
CHECKED		FRAME 284/6JM IP23 ODP							
RELEASED		CLOSE COUPLED PUMP JM TYPE   W							
REL DT	13.04.2019	WMO	Jaragua do Sul	Product Engineering	SHEET	1 / 1			

20 HP 06 Poles 60Hz

A

