

DATA SHEET



Three Phase Induction Motor - Squirrel Cage

Customer : Dealers Industrial Equipment 800-469-3110
 Customer reference : 01012OT3E256JM-W40

Product line : W40 JM Pump NEMA Premium Efficiency Three-Phase Product code : 14483182
 Catalog # : 01012OT3E256JM-W40

Frame	: 254/6JM	Locked rotor time	: 30s (cold) 17s (hot)
Output	: 10 HP (7.5 kW)	Temperature rise	: 80 K
Poles	: 6	Duty cycle	: Cont.(S1)
Frequency	: 60 Hz	Ambient temperature	: -20°C to +40°C
Rated voltage	: 208-230/460 V	Altitude	: 1000 m.a.s.l.
Rated current	: 28.3-25.6/12.8 A	Protection degree	: IP23
L. R. Amperes	: 192-174/87.0 A	Cooling method	: IC01 - ODP
LRC	: 6.8x(Code H)	Mounting	: F-1
No load current	: 10.5-12.2/6.10 A	Rotation ¹	: Both (CW and CCW)
Rated speed	: 1180 rpm	Noise level ²	: 59.0 dB(A)
Slip	: 1.67 %	Starting method	: Direct On Line
Rated torque	: 43.9 ft.lb	Approx. weight ³	: 300 lb
Locked rotor torque	: 229 %		
Breakdown torque	: 300 %		
Insulation class	: F		
Service factor	: 1.25		
Moment of inertia (J)	: 3.53 sq.ft.lb		
Design	: B		

Output	25%	50%	75%	100%	Foundation loads
Efficiency (%)	89.4	90.2	91.0	91.7	Max. traction
Power Factor	0.37	0.62	0.74	0.80	Max. compression

		<u>Drive end</u>	<u>Non drive end</u>
Bearing type	:	6309 Z C3	6209 Z C3
Sealing	:	Without Bearing Seal	Without Bearing Seal
Lubrication interval	:	20000 h	20000 h
Lubricant amount	:	13 g	9 g
Lubricant type	:	Mobil Polyrex EM	

Notes
 downloaded from <http://dealerselectric.com>

This revision replaces and cancel the previous one, which must be eliminated.
 (1) Looking the motor from the shaft end.
 (2) Measured at 1m and with tolerance of +3dB(A).
 (3) Approximate weight subject to changes after manufacturing process.
 (4) At 100% of full load.

These are average values based on tests with sinusoidal power supply, subject to the tolerances stipulated in NEMA MG-1.

Rev.	Changes Summary	Performed	Checked	Date
Performed by		Page		Revision
Checked by		1 / 2		
Date	13/04/2019			

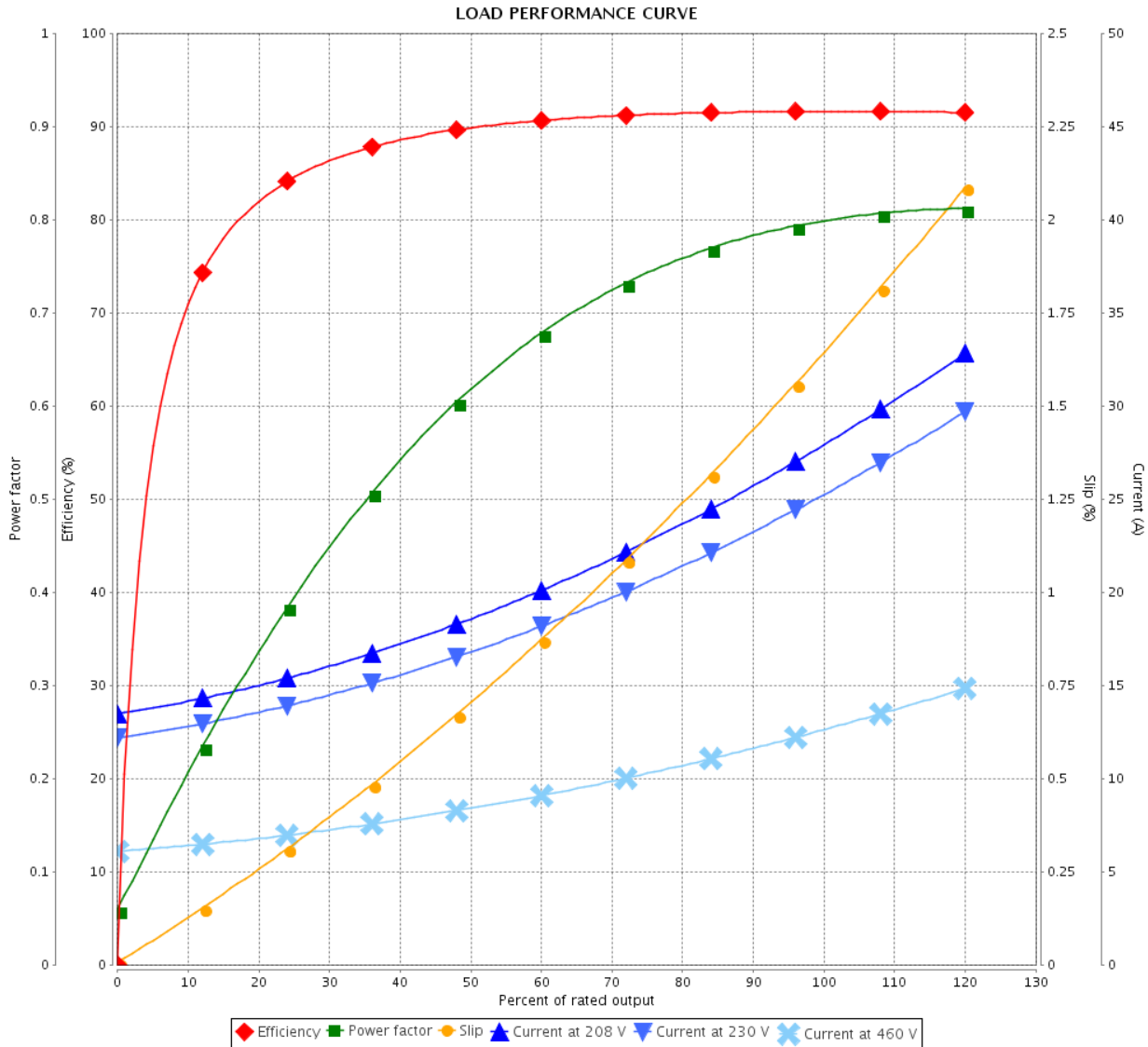
LOAD PERFORMANCE CURVE

Three Phase Induction Motor - Squirrel Cage



Customer : Dealers Industrial Equipment 800-469-3110
 Customer reference : 01012OT3E256JM-W40

Product line : W40 JM Pump NEMA Premium Efficiency Three-Phase Product code : 14483182
 Catalog # : 01012OT3E256JM-W40



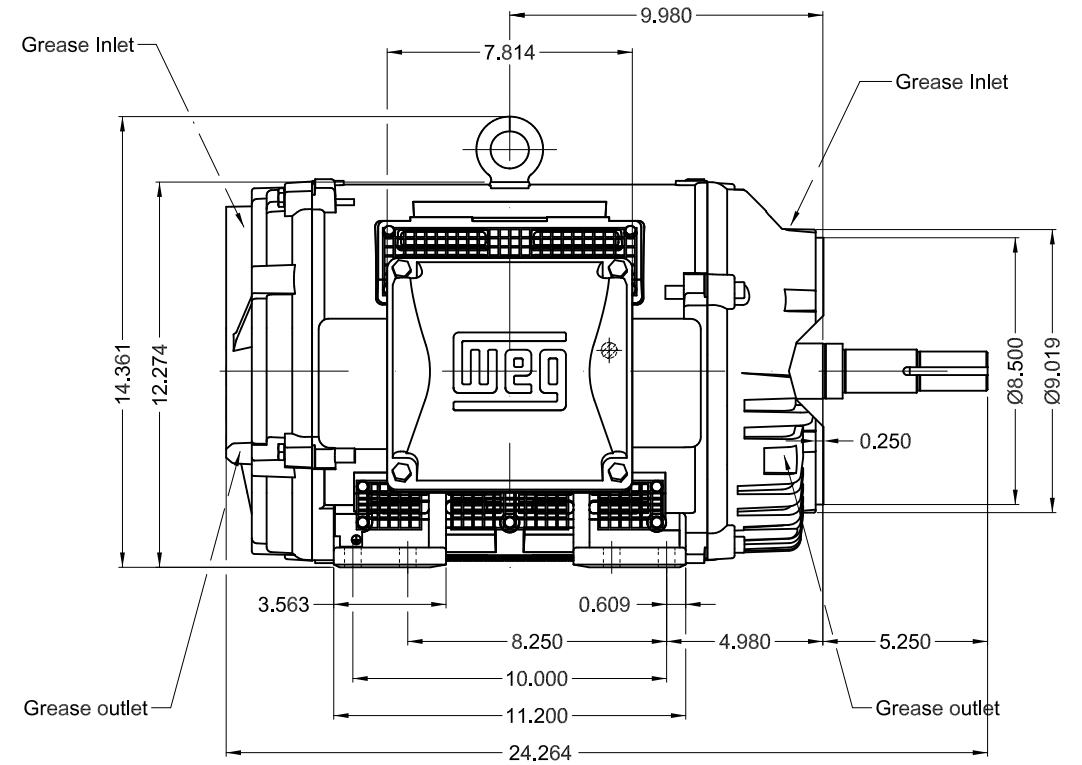
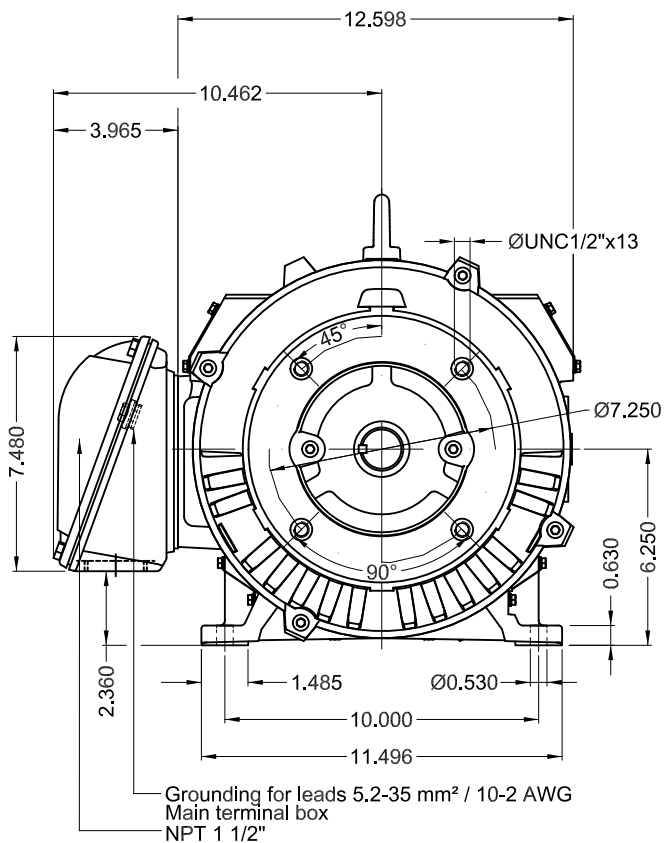
Performance : 208-230/460 V 60 Hz 6P

Rated current	: 28.3-25.6/12.8 A	Moment of inertia (J)	: 3.53 sq.ft.lb
LRC	: 6.8	Duty cycle	: Cont.(S1)
Rated torque	: 43.9 ft.lb	Insulation class	: F
Locked rotor torque	: 229 %	Service factor	: 1.25
Breakdown torque	: 300 %	Temperature rise	: 80 K
Rated speed	: 1180 rpm	Design	: B

Rev.	Changes Summary	Performed	Checked	Date
Performed by			Page	Revision
Checked by			2 / 2	
Date	13/04/2019			

Dimensões em polegada
Dimensions in inches

THIS IS AN UPDATED REVISION, THE
PREVIOUS ONE MUST BE DISREGARDED.



Color RAL 5009						
Painting plan 203A						
Mounting B34R(D)						
					SCALE	1:6
ECM	LOC	SUMMARY OF MODIFICATIONS			EXECUTED	CHECKED
EXECUTED	USERADMIN	THREE PHASE W40 MOTOR NEMA PREMIUM EFF				
CHECKED		FRAME 254/6JM IP23 ODP				
RELEASED		CLOSE COUPLED PUMP JM TYPE W				
REL DT	13.04.2019	WMO	Jaragua do Sul	Product Engineering	SHEET	1 / 1

10 HP 06 Poles 60Hz

A

