

# DATA SHEET



## Three Phase Induction Motor - Squirrel Cage

Customer		: Dealers Industrial Equipment 800-469-3110			
Customer reference		: 02036OT3E254T-W40			
Product line		: W40 NEMA Premium Efficiency Three-Phase		Product code : 14446703	
				Catalog # : 02036OT3E254T-W40	
Frame		: 254T		Locked rotor time	
Output		: 20 HP (15 kW)		: 21s (cold) 12s (hot)	
Poles		: 2		Temperature rise	
Frequency		: 60 Hz		: 80 K	
Rated voltage		: 208-230/460 V		Duty cycle	
Rated current		: 53.7-48.6/24.3 A		: Cont.(S1)	
L. R. Amperes		: 339-306/153 A		Ambient temperature	
LRC		: 6.3x(Code G)		: -20°C to +40°C	
No load current		: 14.5-16.8/8.40 A		Altitude	
Rated speed		: 3535 rpm		: 1000 m.a.s.l.	
Slip		: 1.81 %		Protection degree	
Rated torque		: 29.3 ft.lb		: IP23	
Locked rotor torque		: 200 %		Cooling method	
Breakdown torque		: 280 %		: IC01 - ODP	
Insulation class		: F		Mounting	
Service factor		: 1.25		: F-1	
Moment of inertia (J)		: 0.8718 sq.ft.lb		Rotation <sup>1</sup>	
Design		: B		: Both (CW and CCW)	
				Starting method	
				: Direct On Line	
				Approx. weight <sup>3</sup>	
				: 208 lb	
Output		25%	50%	75%	100%
Efficiency (%)		90.0	90.2	91.0	91.0
Power Factor		0.48	0.72	0.82	0.85
Foundation loads					
Max. traction					
Max. compression					
		<u>Drive end</u>		<u>Non drive end</u>	
Bearing type		: 6309 Z C3		: 6209 Z C3	
Sealing		: Without Bearing Seal		: Without Bearing Seal	
Lubrication interval		: 20000 h		: 20000 h	
Lubricant amount		: 13 g		: 9 g	
Lubricant type		: Mobil Polyrex EM			
Notes					
downloaded from <a href="http://dealerselectric.com">http://dealerselectric.com</a>					
This revision replaces and cancel the previous one, which must be eliminated.			These are average values based on tests with sinusoidal power supply, subject to the tolerances stipulated in NEMA MG-1.		
(1) Looking the motor from the shaft end.					
(2) Measured at 1m and with tolerance of +3dB(A).					
(3) Approximate weight subject to changes after manufacturing process.					
(4) At 100% of full load.					
Rev.	Changes Summary			Performed	Checked
Performed by				Page	
Checked by				Revision	
Date	14/04/2019			1 / 2	

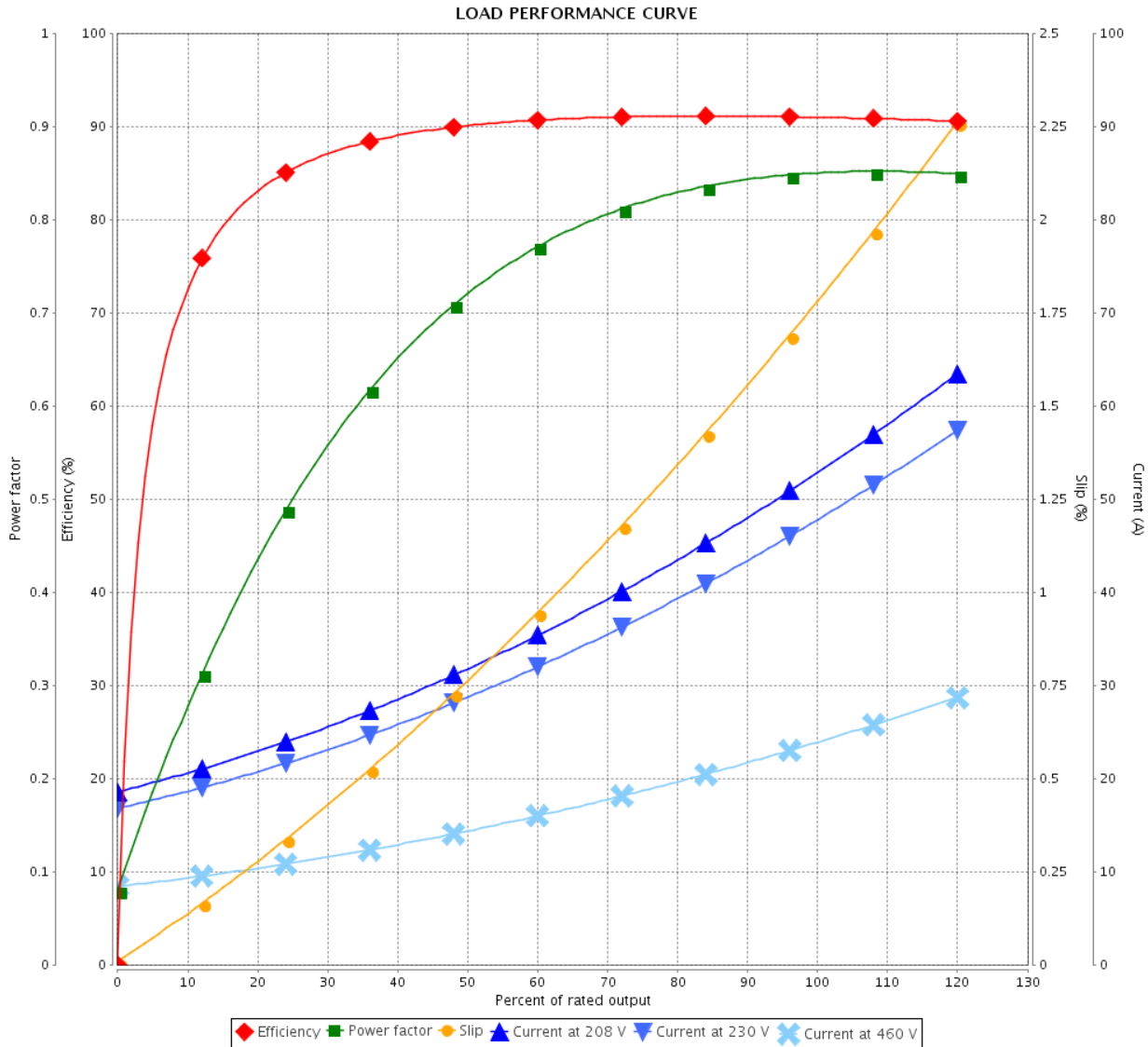
# LOAD PERFORMANCE CURVE



## Three Phase Induction Motor - Squirrel Cage

Customer : Dealers Industrial Equipment 800-469-3110  
 Customer reference : 02036OT3E254T-W40

Product line : W40 NEMA Premium Efficiency Three-Phase      Product code : 14446703  
 Catalog # : 02036OT3E254T-W40



Performance : 208-230/460 V 60 Hz 2P

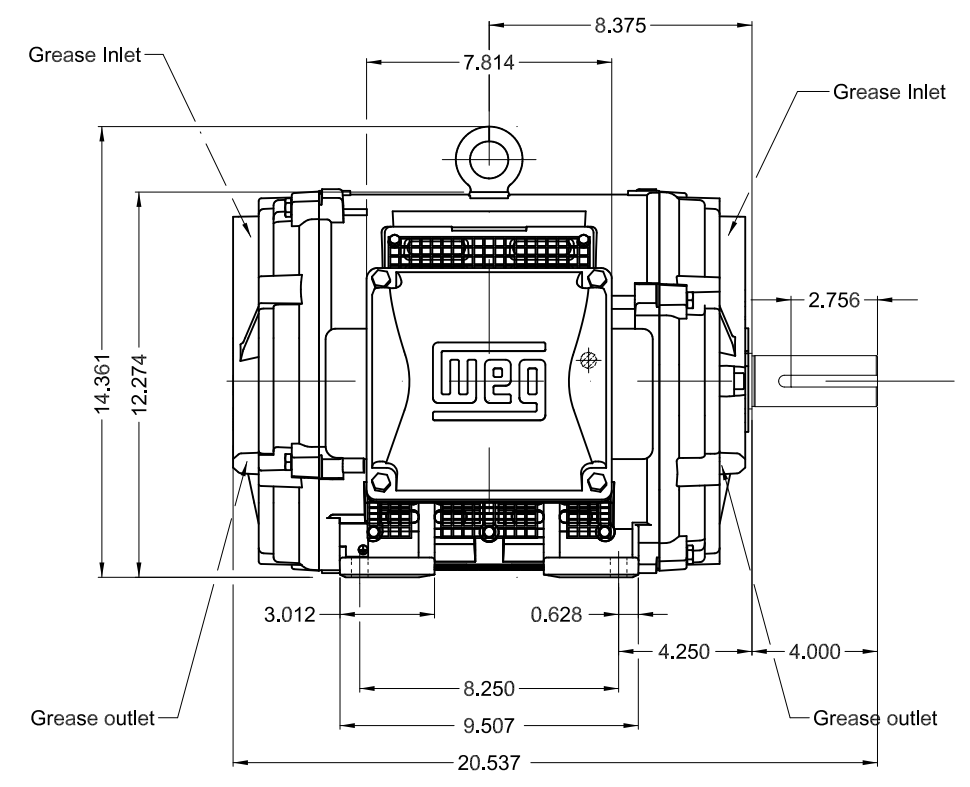
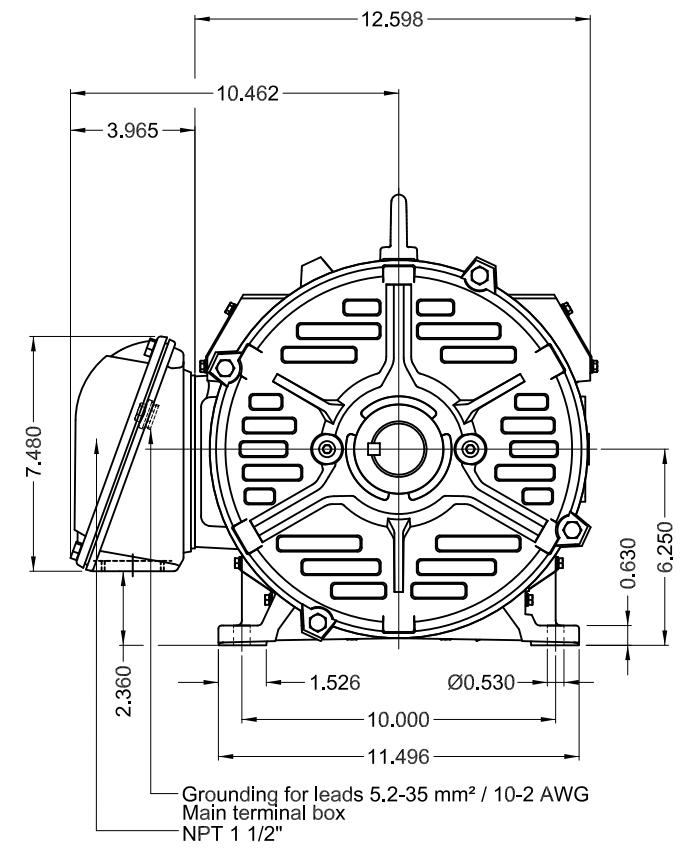
Rated current : 53.7-48.6/24.3 A  
 LRC : 6.3  
 Rated torque : 29.3 ft.lb  
 Locked rotor torque : 200 %  
 Breakdown torque : 280 %  
 Rated speed : 3535 rpm

Moment of inertia (J) : 0.8718 sq.ft.lb  
 Duty cycle : Cont.(S1)  
 Insulation class : F  
 Service factor : 1.25  
 Temperature rise : 80 K  
 Design : B

Rev.	Changes Summary	Performed	Checked	Date
Performed by			Page 2 / 2	Revision
Checked by				
Date	14/04/2019			

Dimensões em polegada  
Dimensions in inches

THIS IS AN UPDATED REVISION, THE  
PREVIOUS ONE MUST BE DISREGARDED.



Color RAL 5009		Painting plan 203A		Mounting B3R(D)		SCALE		1:6		
ECM	LOC	SUMMARY OF MODIFICATIONS				EXECUTED	CHECKED	RELEASED	DATE	VER
EXECUTED	USERADMIN	THREE PHASE W40 MOTOR NEMA PREMIUM EFF								
CHECKED		FRAME 254T IP23 ODP								
RELEASED		WEG code: 14446703								
REL DT	14.04.2019	WMO	Jaragua do Sul	Product Engineering	SHEET	1 / 1				

20 HP 02 Poles 60Hz

A

