

DATA SHEET



Three Phase Induction Motor - Squirrel Cage

Customer : Dealers Industrial Equipment 800-469-3110																			
Customer reference : 03015EP3OFP286TS-W22																			
Product line : W22 High Efficiency Three-Phase	Product code : 14412140 Catalog # : 03015EP3OFP286TS-W22																		
Frame : 284/6TS Output : 30 HP (22 kW) Poles : 4 Frequency : 50 Hz Rated voltage : 380 V Rated current : 41.3 A L. R. Amperes : 231 A LRC : 5.6x(Code F) No load current : 14.0 A Rated speed : 1455 rpm Slip : 3.00 % Rated torque : 107 ft.lb Locked rotor torque : 210 % Breakdown torque : 215 % Insulation class : F Service factor : 1.15 Moment of inertia (J) : B Design :	Locked rotor time : 27s (cold) 15s (hot) Temperature rise : 80 K Duty cycle : Cont.(S1) Ambient temperature : -20°C to +40°C Altitude : 1000 m.a.s.l. Protection degree : IP55 Cooling method : IC411 - TEFC Mounting : F-1 Rotation ¹ : Both (CW and CCW) Noise level ² : 61.0 dB(A) Starting method : Direct On Line Approx. weight ³ : 375 lb																		
<table border="1"> <tr> <td>Output</td> <td>25%</td> <td>50%</td> <td>75%</td> <td>100%</td> </tr> <tr> <td>Efficiency (%)</td> <td>92.8</td> <td>93.0</td> <td>93.0</td> <td>93.0</td> </tr> <tr> <td>Power Factor</td> <td>0.52</td> <td>0.78</td> <td>0.85</td> <td>0.87</td> </tr> </table>	Output	25%	50%	75%	100%	Efficiency (%)	92.8	93.0	93.0	93.0	Power Factor	0.52	0.78	0.85	0.87	Foundation loads Max. traction : 1039 lb Max. compression : 1414 lb			
Output	25%	50%	75%	100%															
Efficiency (%)	92.8	93.0	93.0	93.0															
Power Factor	0.52	0.78	0.85	0.87															
<table border="1"> <thead> <tr> <th></th> <th>Drive end</th> <th>Non drive end</th> </tr> </thead> <tbody> <tr> <td>Bearing type</td> <td>6311 C3</td> <td>6211 C3</td> </tr> <tr> <td>Sealing</td> <td>V'Ring</td> <td>V'Ring</td> </tr> <tr> <td>Lubrication interval</td> <td>20000 h</td> <td>20000 h</td> </tr> <tr> <td>Lubricant amount</td> <td>18 g</td> <td>11 g</td> </tr> <tr> <td>Lubricant type</td> <td colspan="2">Mobil Polyrex EM</td> </tr> </tbody> </table>			Drive end	Non drive end	Bearing type	6311 C3	6211 C3	Sealing	V'Ring	V'Ring	Lubrication interval	20000 h	20000 h	Lubricant amount	18 g	11 g	Lubricant type	Mobil Polyrex EM	
	Drive end	Non drive end																	
Bearing type	6311 C3	6211 C3																	
Sealing	V'Ring	V'Ring																	
Lubrication interval	20000 h	20000 h																	
Lubricant amount	18 g	11 g																	
Lubricant type	Mobil Polyrex EM																		
Notes downloaded from http://dealerselectric.com																			
This revision replaces and cancel the previous one, which must be eliminated. (1) Looking the motor from the shaft end. (2) Measured at 1m and with tolerance of +3dB(A). (3) Approximate weight subject to changes after manufacturing process. (4) At 100% of full load.																			
These are average values based on tests with sinusoidal power supply, subject to the tolerances stipulated in NEMA MG-1.																			
Rev.	Changes Summary	Performed	Checked	Date															
Performed by																			
Checked by			Page	Revision															
Date	14/04/2019		1 / 2																

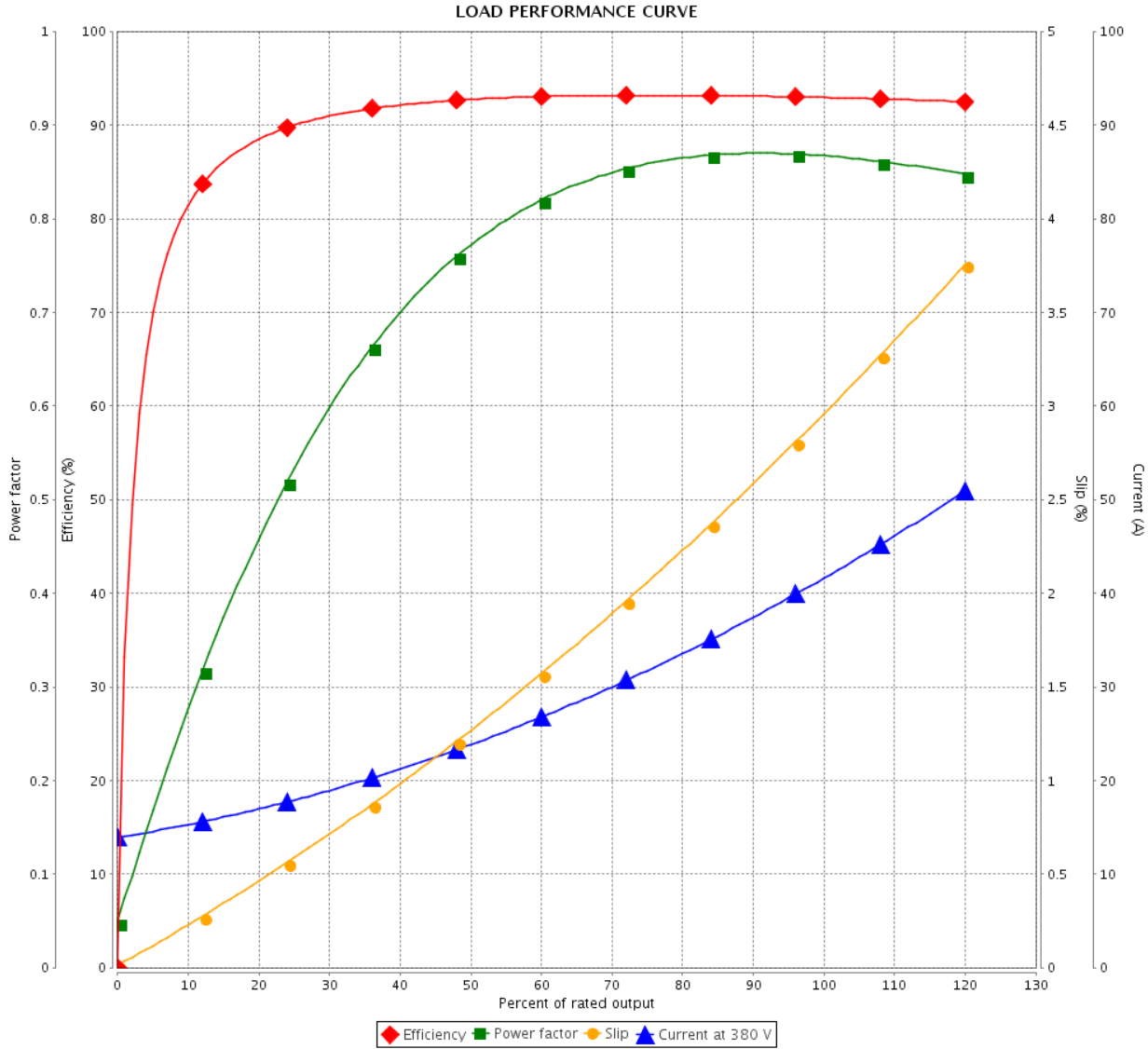
LOAD PERFORMANCE CURVE



Three Phase Induction Motor - Squirrel Cage

Customer : Dealers Industrial Equipment 800-469-3110
 Customer reference : 03015EP3OFP286TS-W22

Product line : W22 High Efficiency Three-Phase Product code : 14412140
 Catalog # : 03015EP3OFP286TS-W22



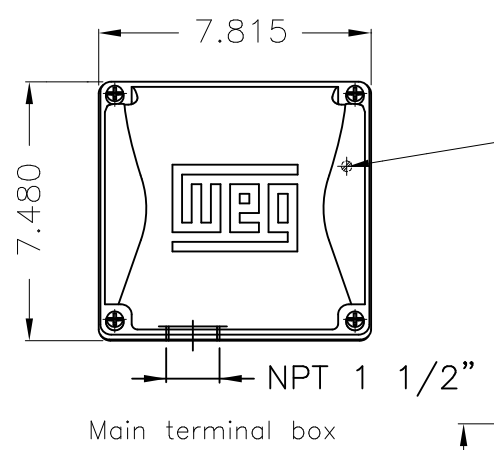
Performance : 380 V 50 Hz 4P

Rated current : 41.3 A	Moment of inertia (J)
LRC : 5.6	Duty cycle : Cont.(S1)
Rated torque : 107 ft.lb	Insulation class : F
Locked rotor torque : 210 %	Service factor : 1.15
Breakdown torque : 215 %	Temperature rise : 80 K
Rated speed : 1455 rpm	Design : B

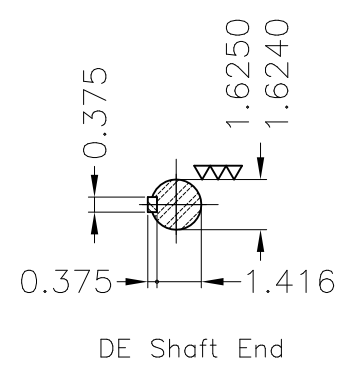
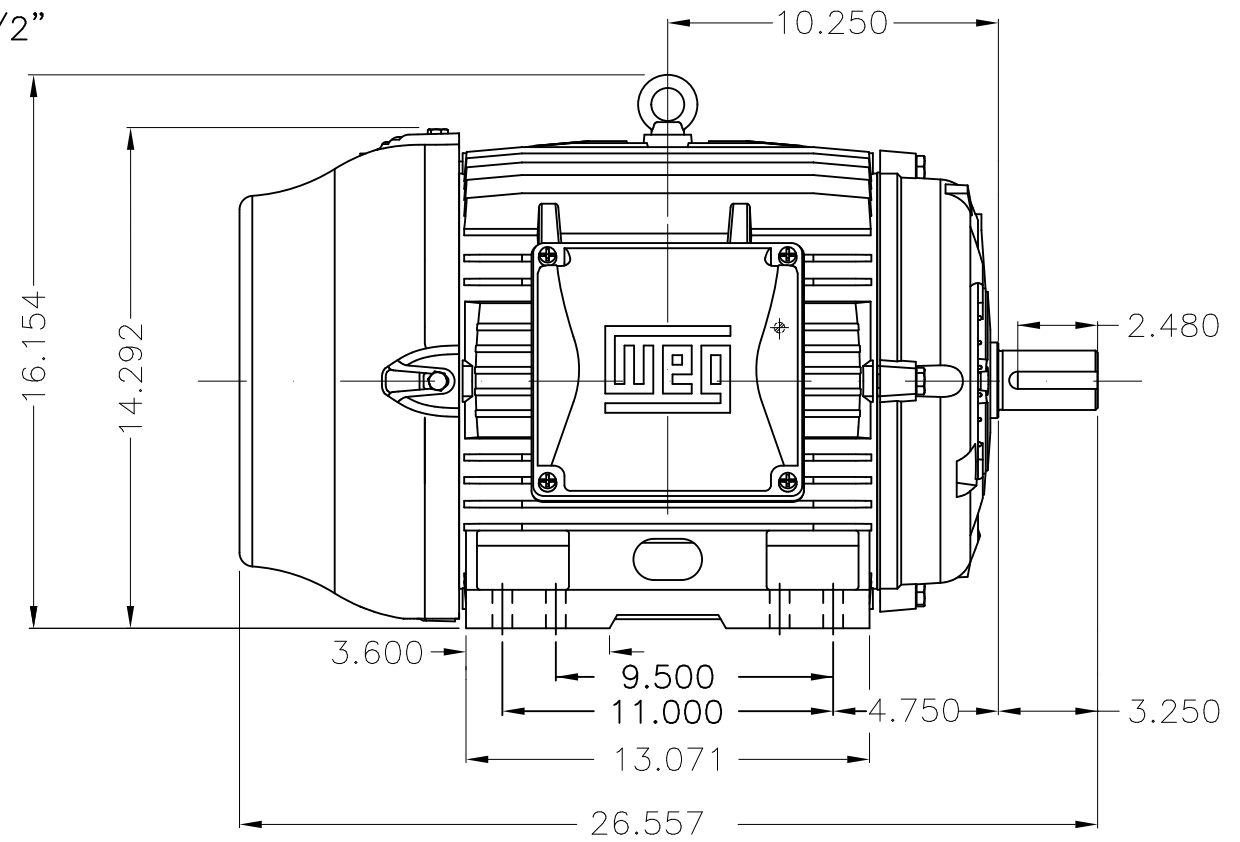
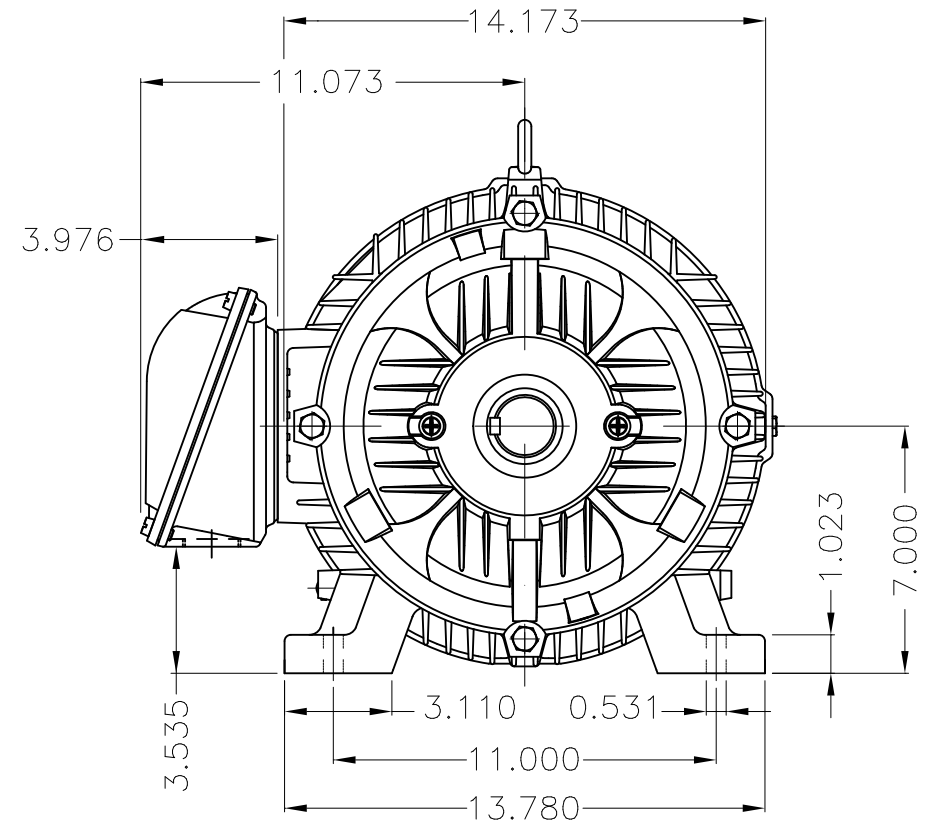
Rev.	Changes Summary	Performed	Checked	Date
Performed by			Page	Revision
Checked by				
Date				

Dimensões em polegada
Dimensions in inches

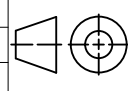
THIS IS AN UPDATED REVISION, THE
PREVIOUS ONE MUST BE DISREGARDED.



Grounding for leads 5.2–25 mm² / 10–4 AWG



TS shaft end
Type test without inspector – 1 motor/lot
Color RAL 3002
Painting plan 203A
Mounting B3R(D)

ECM	LOC	SUMMARY OF MODIFICATIONS			EXECUTED	CHECKED	RELEASED	DATE	VER
EXECUTED	USERADMIN	 THREE PHASE W22 MOTOR - HIGH EFF FRAME 284/6TS IP55 TEFC WEG code: 14412140							
CHECKED									
RELEASED									
REL DT	14.04.2019	WMO	Jaragua do Sul	Product Engineering	SHEET	1 / 1			

30 HP 04 Poles 50 Hz

A

