

# DATA SHEET



## Three Phase Induction Motor - Squirrel Cage

Customer		: Dealers Industrial Equipment 800-469-3110			
Customer reference		: 05018OT3E326JM-W40			
Product line		: W40 JM Pump NEMA Premium Efficiency Three-Phase		Product code : 14367672	
				Catalog # : 05018OT3E326JM-W40	
Frame		: 324/6JM		Locked rotor time	
Output		: 50 HP (37 kW)		: 19s (cold) 11s (hot)	
Poles		: 4		Temperature rise	
Frequency		: 60 Hz		: 80 K	
Rated voltage		: 208-230/460 V		Duty cycle	
Rated current		: 129-117/58.5 A		: Cont.(S1)	
L. R. Amperes		: 815-737/369 A		Ambient temperature	
LRC		: 6.3x(Code G)		: -20°C to +40°C	
No load current		: 40.0-46.4/23.2 A		Altitude	
Rated speed		: 1775 rpm		: 1000 m.a.s.l.	
Slip		: 1.39 %		Protection degree	
Rated torque		: 146 ft.lb		: IP23	
Locked rotor torque		: 240 %		Cooling method	
Breakdown torque		: 240 %		: IC01 - ODP	
Insulation class		: F		Mounting	
Service factor		: 1.25		: F-1	
Moment of inertia (J)		: 7.08 sq.ft.lb		Rotation <sup>1</sup>	
Design		: B		: Both (CW and CCW)	
				Noise level <sup>2</sup>	
				: 66.0 dB(A)	
				Starting method	
				: Direct On Line	
				Approx. weight <sup>3</sup>	
				: 528 lb	
Output	25%	50%	75%	100%	Foundation loads
Efficiency (%)	94.0	94.1	94.5	94.5	Max. traction
Power Factor	0.44	0.70	0.80	0.84	Max. compression
		<u>Drive end</u>		<u>Non drive end</u>	
Bearing type		: 6312 Z C3		6211 Z C3	
Sealing		: Without Bearing Seal		Without Bearing Seal	
Lubrication interval		: 20000 h		20000 h	
Lubricant amount		: 21 g		11 g	
Lubricant type		: Mobil Polyrex EM			
Notes downloaded from <a href="http://dealerselectric.com">http://dealerselectric.com</a>					
This revision replaces and cancel the previous one, which must be eliminated. (1) Looking the motor from the shaft end. (2) Measured at 1m and with tolerance of +3dB(A). (3) Approximate weight subject to changes after manufacturing process. (4) At 100% of full load.			These are average values based on tests with sinusoidal power supply, subject to the tolerances stipulated in NEMA MG-1.		
Rev.	Changes Summary			Performed	Checked
Performed by					
Checked by					
Date	14/04/2019			Page	Revision
				1 / 2	

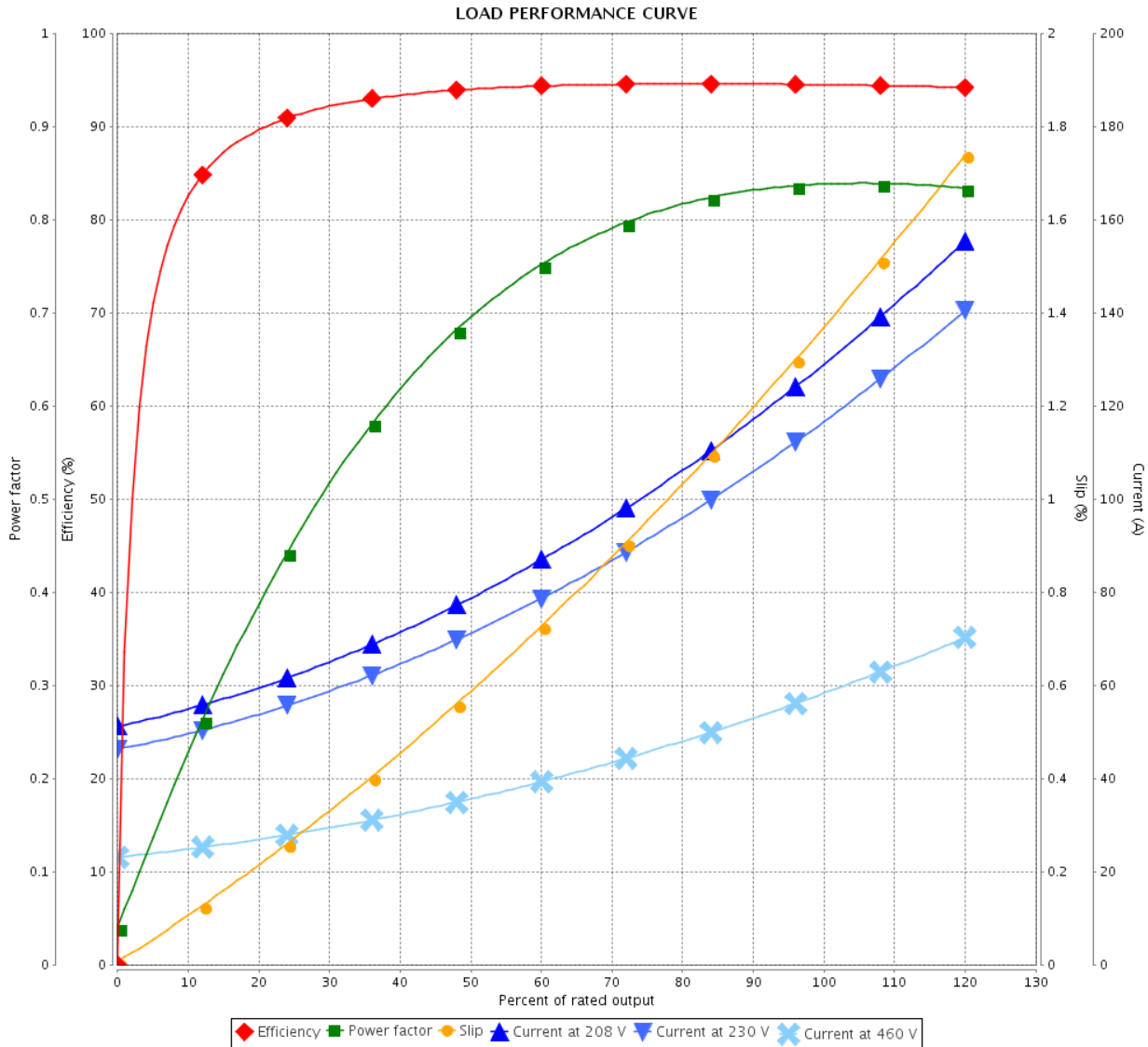
# LOAD PERFORMANCE CURVE



## Three Phase Induction Motor - Squirrel Cage

Customer : Dealers Industrial Equipment 800-469-3110  
 Customer reference : 05018OT3E326JM-W40

Product line : W40 JM Pump NEMA Premium Efficiency Three-Phase      Product code : 14367672  
 Catalog # : 05018OT3E326JM-W40



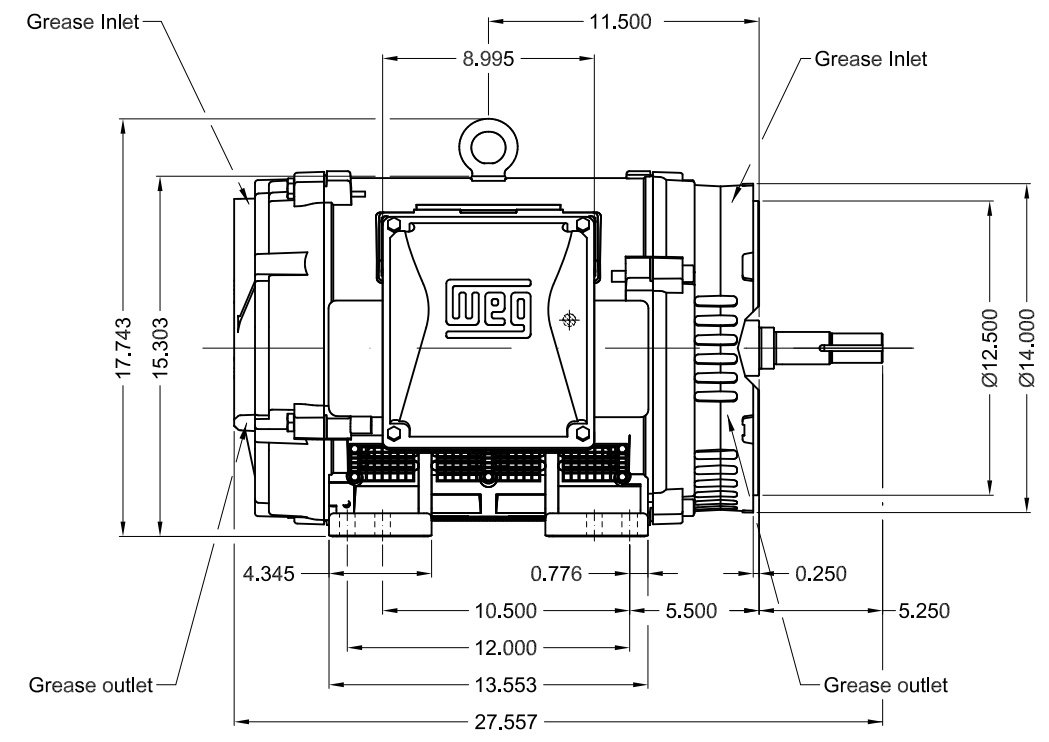
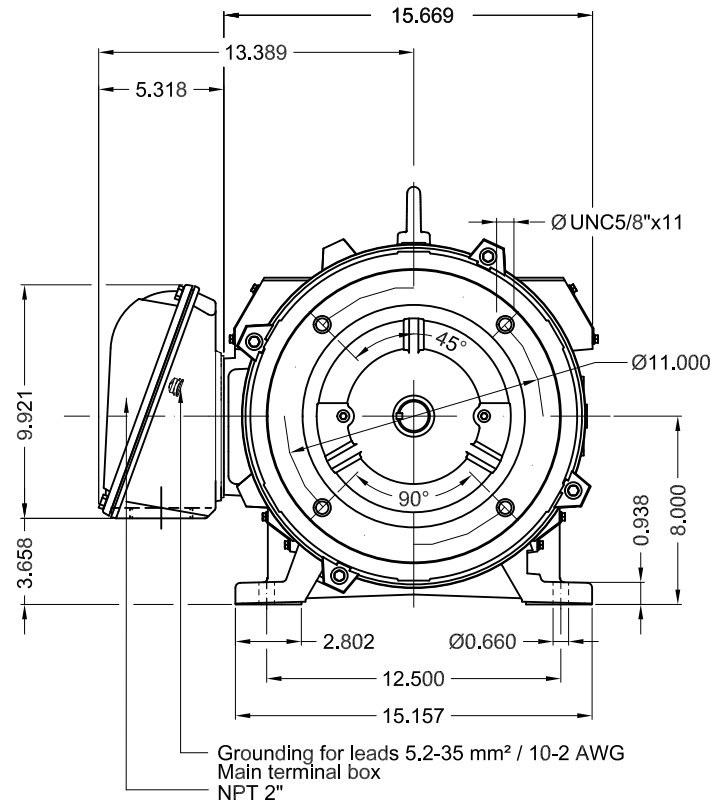
Performance : 208-230/460 V 60 Hz 4P

Rated current : 129-117/58.5 A	Moment of inertia (J) : 7.08 sq.ft.lb
LRC : 6.3	Duty cycle : Cont.(S1)
Rated torque : 146 ft.lb	Insulation class : F
Locked rotor torque : 240 %	Service factor : 1.25
Breakdown torque : 240 %	Temperature rise : 80 K
Rated speed : 1775 rpm	Design : B

Rev.	Changes Summary	Performed	Checked	Date
Performed by			Page 2 / 2	Revision
Checked by				
Date	14/04/2019			

Dimensões em polegada  
Dimensions in inches

THIS IS AN UPDATED REVISION, THE  
PREVIOUS ONE MUST BE DISREGARDED.



Color RAL 5009		Painting plan 203A		Mounting B34R(D)		SCALE		1:8		
ECM	LOC	SUMMARY OF MODIFICATIONS				EXECUTED	CHECKED	RELEASED	DATE	VER
EXECUTED	USERADMIN	THREE PHASE W40 MOTOR NEMA PREMIUM EFF								
CHECKED		FRAME 324/6JM IP23 ODP								
RELEASED		CLOSE COUPLED PUMP JM TYPE   W								
REL DT	14.04.2019	WMO	Jaragua do Sul	Product Engineering	SHEET	1 / 1				

50 HP 04 Poles 60Hz

A

