

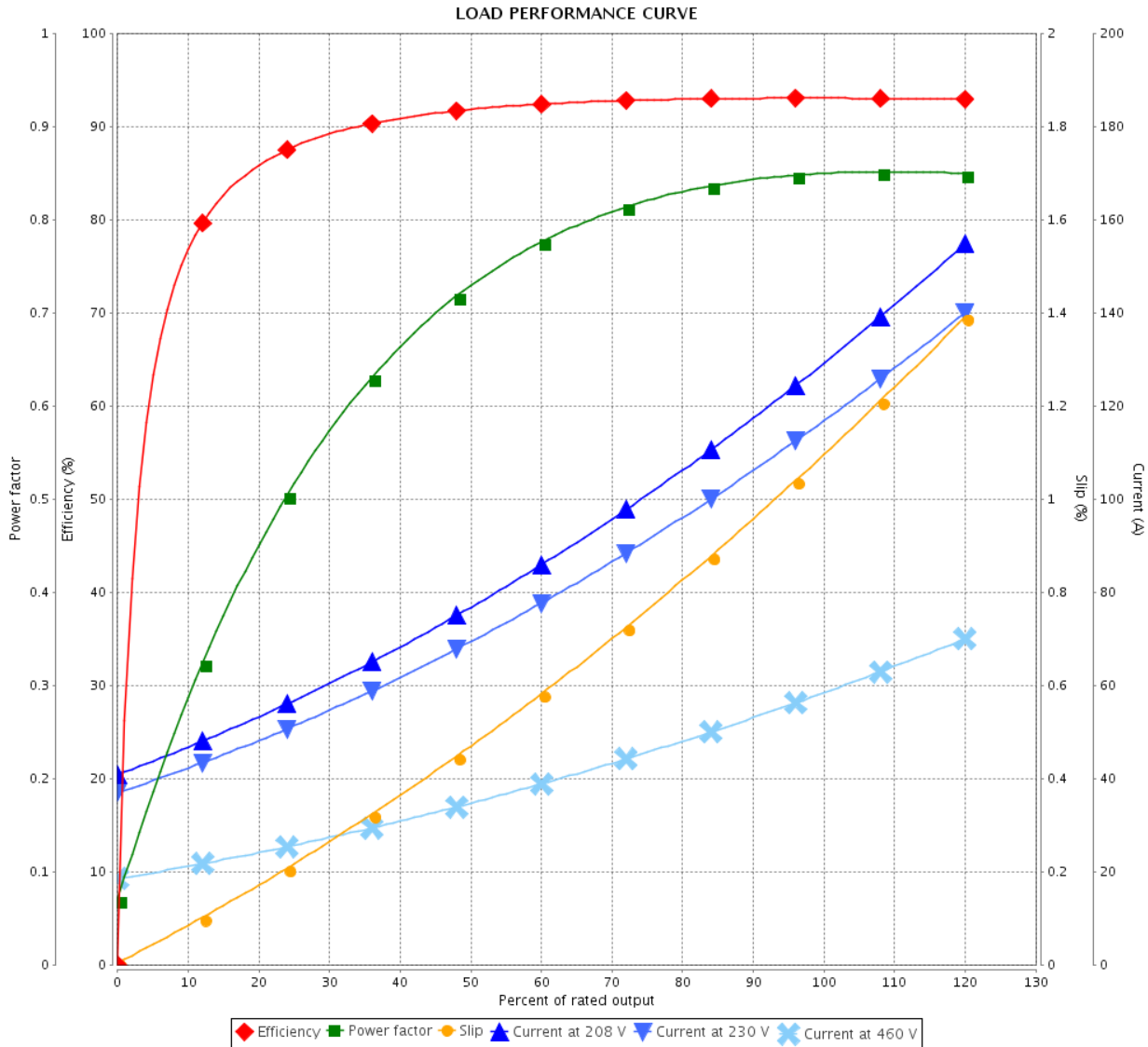
LOAD PERFORMANCE CURVE



Three Phase Induction Motor - Squirrel Cage

Customer : Dealers Industrial Equipment 800-469-3110
 Customer reference : 05036OT3E324TS-W40

Product line : W40 NEMA Premium Efficiency Three-Phase Product code : 14367668
 Catalog # : 05036OT3E324TS-W40



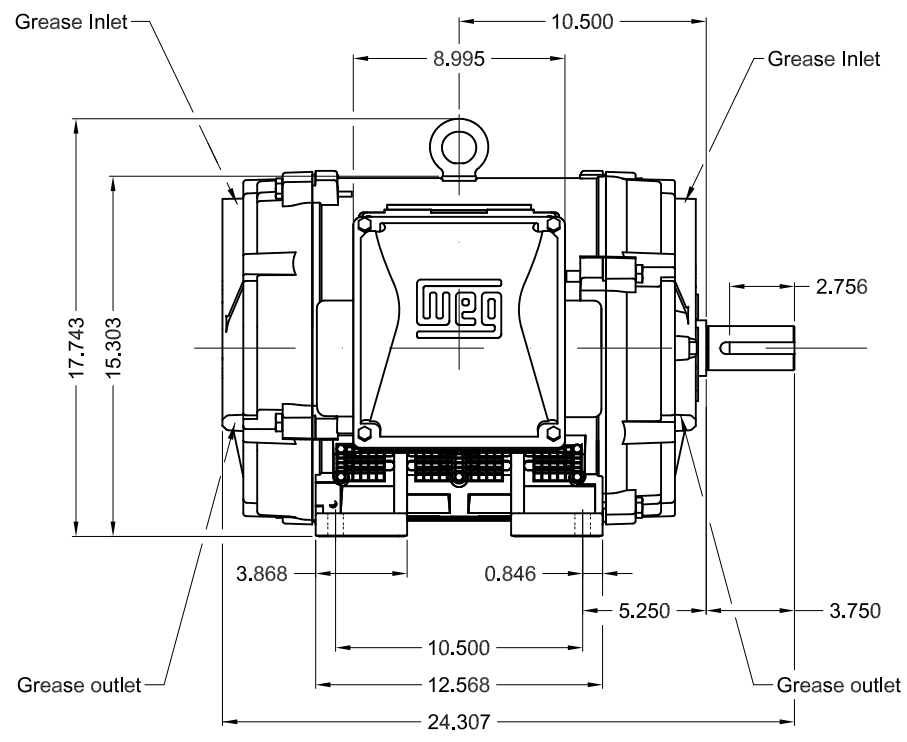
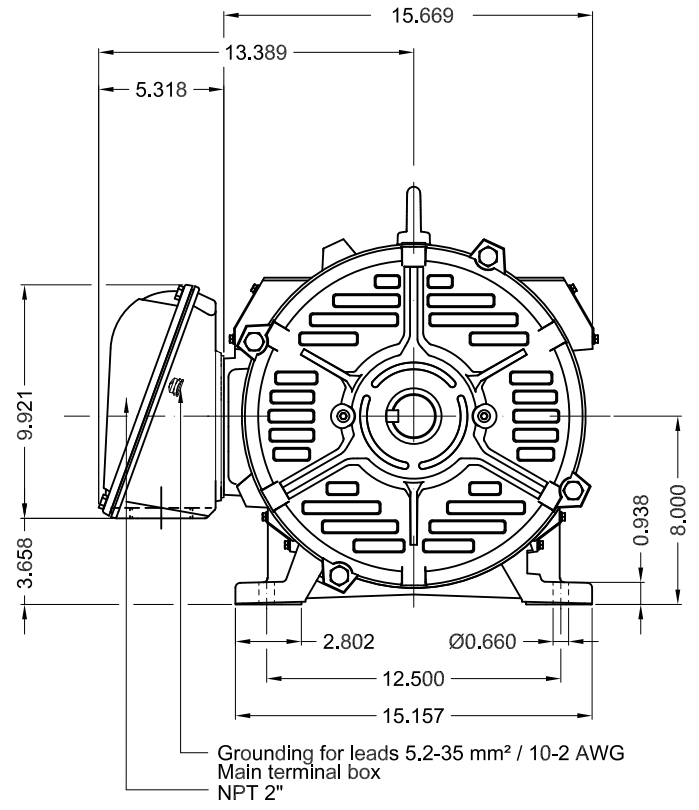
Performance : 208-230/460 V 60 Hz 2P

Rated current : 130-117/58.7 A	Moment of inertia (J) : 3.02 sq.ft.lb
LRC : 6.3	Duty cycle : Cont.(S1)
Rated torque : 72.8 ft.lb	Insulation class : F
Locked rotor torque : 200 %	Service factor : 1.25
Breakdown torque : 220 %	Temperature rise : 80 K
Rated speed : 3560 rpm	Design : B

Rev.	Changes Summary	Performed	Checked	Date
Performed by			Page 2 / 2	Revision
Checked by				
Date	14/04/2019			

Dimensões em polegada
Dimensions in inches

THIS IS AN UPDATED REVISION, THE
PREVIOUS ONE MUST BE DISREGARDED.



Color RAL 5009
Painting plan 203A
Mounting B3R(D)

					SCALE	1:8		
ECM	LOC	SUMMARY OF MODIFICATIONS		EXECUTED	CHECKED	RELEASED	DATE	VER
EXECUTED	USERADMIN		THREE PHASE W40 MOTOR NEMA PREMIUM EFF					
CHECKED			FRAME 324TS IP23 ODP					
RELEASED			WEG code: 14367668					
REL DT	14.04.2019	WMO	Jaragua do Sul	Product Engineering	SHEET	1 / 1		

50 HP 02 Poles 60Hz

A

