

# DATA SHEET



## Three Phase Induction Motor - Squirrel Cage

Customer		: Dealers Industrial Equipment 800-469-3110			
Customer reference		: 07518OT3E365T-W40G			
Product line		: W40 NEMA Premium Efficiency Three-Phase		Product code :	14285129
				Catalog # :	07518OT3E365T-W40G
Frame	: 364/5T	Locked rotor time		: 25s (cold) 14s (hot)	
Output	: 75 HP (55 kW)	Temperature rise		: 80 K	
Poles	: 4	Duty cycle		: Cont.(S1)	
Frequency	: 60 Hz	Ambient temperature		: -20°C to +40°C	
Rated voltage	: 208-230/460 V	Altitude		: 1000 m.a.s.l.	
Rated current	: 189-171/85.5 A	Protection degree		: IP23	
L. R. Amperes	: 1286-1163/581 A	Cooling method		: IC01 - ODP	
LRC	: 6.8x(Code G)	Mounting		: F-1	
No load current	: 52.6-61.0/30.5 A	Rotation <sup>1</sup>		: Both (CW and CCW)	
Rated speed	: 1780 rpm	Noise level <sup>2</sup>		: 69.0 dB(A)	
Slip	: 1.11 %	Starting method		: Direct On Line	
Rated torque	: 218 ft.lb	Approx. weight <sup>3</sup>		: 771 lb	
Locked rotor torque	: 220 %				
Breakdown torque	: 260 %				
Insulation class	: F				
Service factor	: 1.25				
Moment of inertia (J)	: 16.8 sq.ft.lb				
Design	: B				
Output	25%	50%	75%	100%	Foundation loads
Efficiency (%)	94.4	94.5	95.0	95.0	Max. traction : 1652 lb
Power Factor	0.48	0.73	0.82	0.85	Max. compression : 2423 lb
		<u>Drive end</u>		<u>Non drive end</u>	
Bearing type	:	6314 C3		6212 Z C3	
Sealing	:	Without Bearing Seal		Without Bearing Seal	
Lubrication interval	:	20000 h		20000 h	
Lubricant amount	:	27 g		13 g	
Lubricant type	:	Mobil Polyrex EM			
Notes downloaded from <a href="http://dealerselectric.com">http://dealerselectric.com</a>					
This revision replaces and cancel the previous one, which must be eliminated. (1) Looking the motor from the shaft end. (2) Measured at 1m and with tolerance of +3dB(A). (3) Approximate weight subject to changes after manufacturing process. (4) At 100% of full load.			These are average values based on tests with sinusoidal power supply, subject to the tolerances stipulated in NEMA MG-1.		
Rev.	Changes Summary		Performed	Checked	Date
Performed by					
Checked by				Page	Revision
Date	14/04/2019			1 / 2	

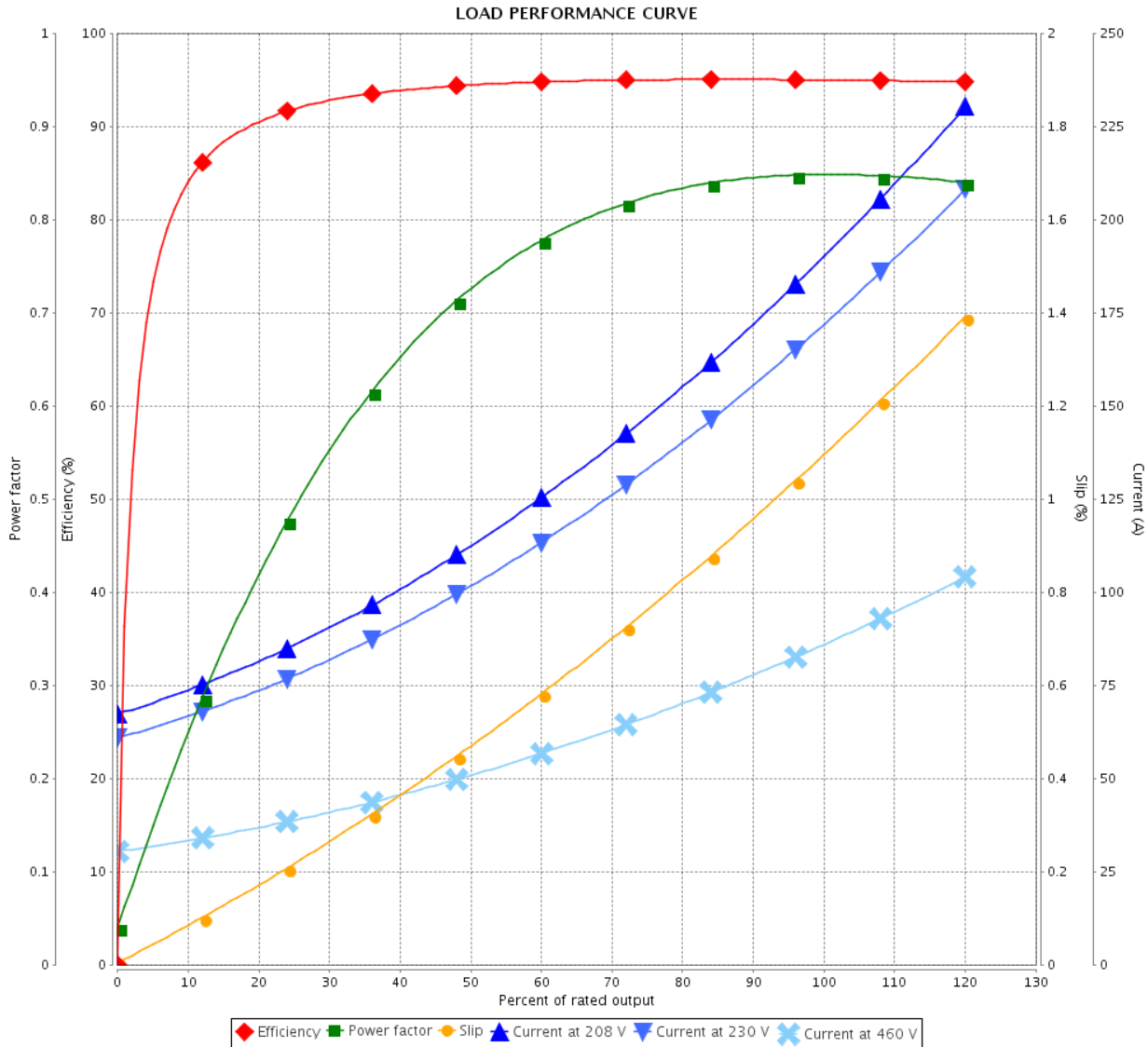
# LOAD PERFORMANCE CURVE



## Three Phase Induction Motor - Squirrel Cage

Customer : Dealers Industrial Equipment 800-469-3110  
 Customer reference : 07518OT3E365T-W40G

Product line : W40 NEMA Premium Efficiency Three-Phase      Product code : 14285129  
 Catalog # : 07518OT3E365T-W40G



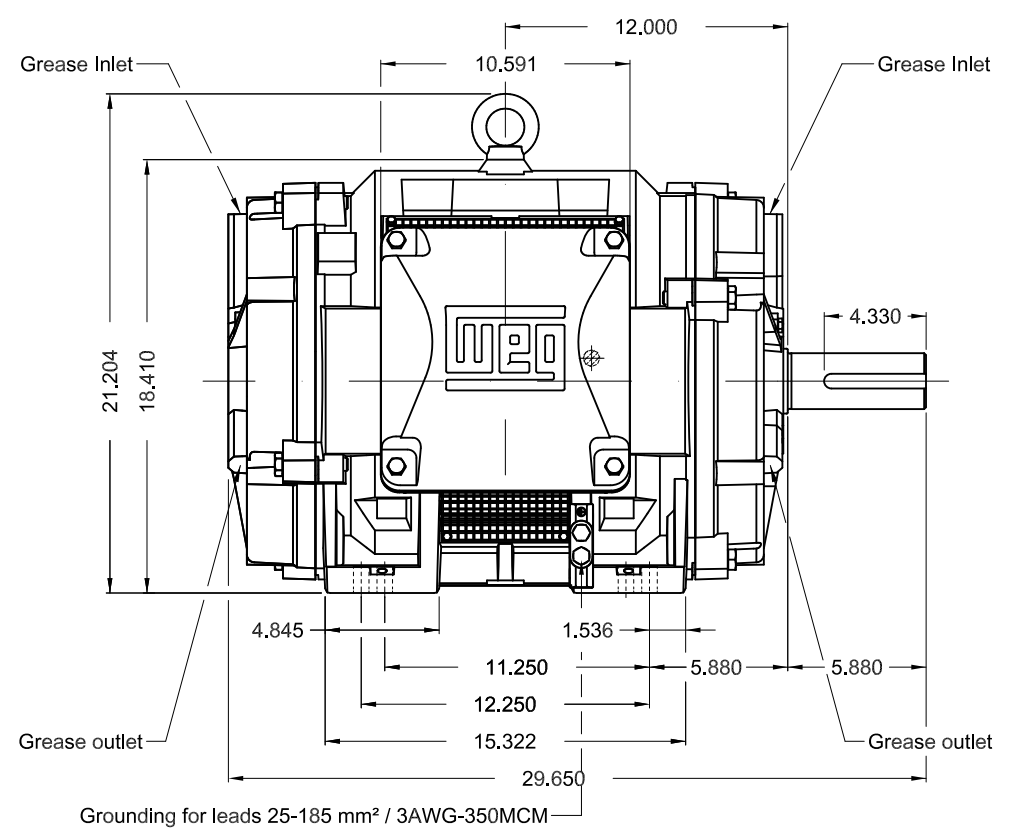
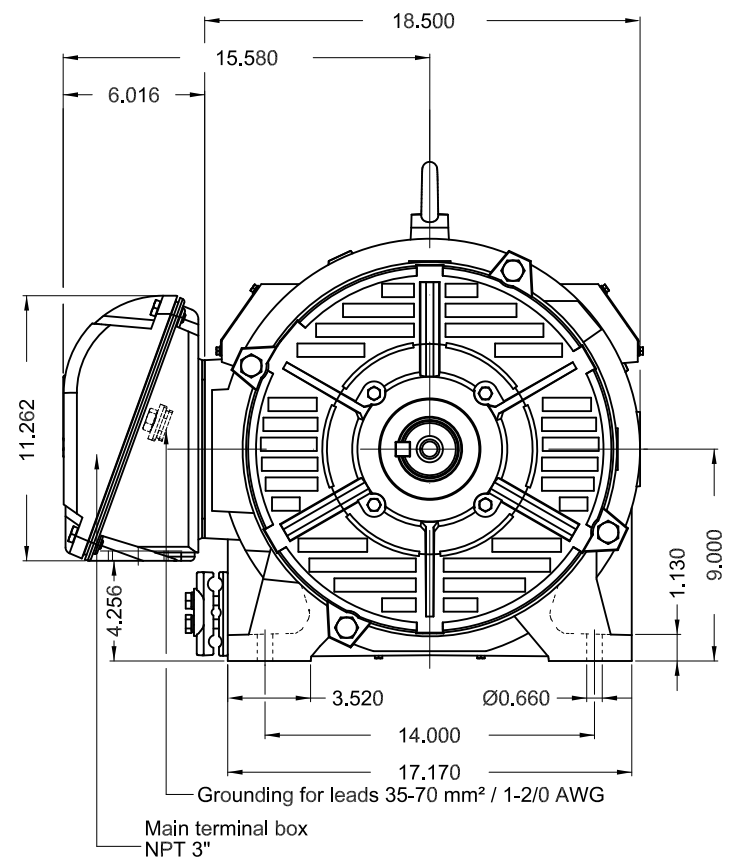
Performance : 208-230/460 V 60 Hz 4P

Rated current : 189-171/85.5 A	Moment of inertia (J) : 16.8 sq.ft.lb
LRC : 6.8	Duty cycle : Cont.(S1)
Rated torque : 218 ft.lb	Insulation class : F
Locked rotor torque : 220 %	Service factor : 1.25
Breakdown torque : 260 %	Temperature rise : 80 K
Rated speed : 1780 rpm	Design : B

Rev.	Changes Summary	Performed	Checked	Date
Performed by			Page	Revision
Checked by				
Date				

Dimensões em polegada  
Dimensions in inches

THIS IS AN UPDATED REVISION, THE  
PREVIOUS ONE MUST BE DISREGARDED.



Internal AEGIS ground ring on the DE									
Color RAL 5009									
Painting plan 203A									
Mounting B3R(D)									
						SCALE	1:8		
ECM	LOC	SUMMARY OF MODIFICATIONS			EXECUTED	CHECKED	RELEASED	DATE	VER
EXECUTED	USERADMIN	THREE PHASE W40 MOTOR NEMA PREMIUM EFF							
CHECKED		FRAME 364/5T IP23 ODP							
RELEASED		WEG code: 14285129							
REL DT	14.04.2019	WMO	Jaragua do Sul	Product Engineering	SHEET	1 / 1			

75 HP 04 Poles 60Hz

A

