

DATA SHEET



Three Phase Induction Motor - Squirrel Cage

Customer		: Dealers Industrial Equipment 800-469-3110				
Customer reference		: 07518OT3GRB365T-W40				
Product line		: W40 NEMA Premium Efficiency Three-Phase		Product code :	14285069	
				Catalog # :	07518OT3GRB365T-W40	
Frame	:	: 364/5T		Locked rotor time	: 25s (cold) 14s (hot)	
Output	:	: 75 HP (55 kW)		Temperature rise	: 80 K	
Poles	:	: 4		Duty cycle	: Cont.(S1)	
Frequency	:	: 60 Hz		Ambient temperature	: -20°C to +40°C	
Rated voltage	:	: 460 V		Altitude	: 1000 m.a.s.l.	
Rated current	:	: 85.5 A		Protection degree	: IP23	
L. R. Amperes	:	: 581 A		Cooling method	: IC01 - ODP	
LRC	:	: 6.8x(Code G)		Mounting	: F-1	
No load current	:	: 30.5 A		Rotation ¹	: Both (CW and CCW)	
Rated speed	:	: 1780 rpm		Noise level ²	: 69.0 dB(A)	
Slip	:	: 1.11 %		Starting method	: Direct On Line	
Rated torque	:	: 218 ft.lb		Approx. weight ³	: 788 lb	
Locked rotor torque	:	: 220 %				
Breakdown torque	:	: 260 %				
Insulation class	:	: F				
Service factor	:	: 1.25				
Moment of inertia (J)	:	: 16.8 sq.ft.lb				
Design	:	: B				
Output	25%	50%	75%	100%	Foundation loads	
Efficiency (%)	94.4	94.5	95.0	95.0	Max. traction : 1643 lb	
Power Factor	0.48	0.73	0.82	0.85	Max. compression : 2431 lb	
		<u>Drive end</u>		<u>Non drive end</u>		
Bearing type	:	NU-314 C3		6314 C3		
Sealing	:	Without Bearing Seal		Without Bearing Seal		
Lubrication interval	:	20000 h		20000 h		
Lubricant amount	:	27 g		27 g		
Lubricant type	:	Mobil Polyrex EM				
Notes downloaded from http://dealerselectric.com						
This revision replaces and cancel the previous one, which must be eliminated. (1) Looking the motor from the shaft end. (2) Measured at 1m and with tolerance of +3dB(A). (3) Approximate weight subject to changes after manufacturing process. (4) At 100% of full load.			These are average values based on tests with sinusoidal power supply, subject to the tolerances stipulated in NEMA MG-1.			
Rev.	Changes Summary			Performed	Checked	Date
Performed by						
Checked by					Page	Revision
Date	14/04/2019				1 / 2	

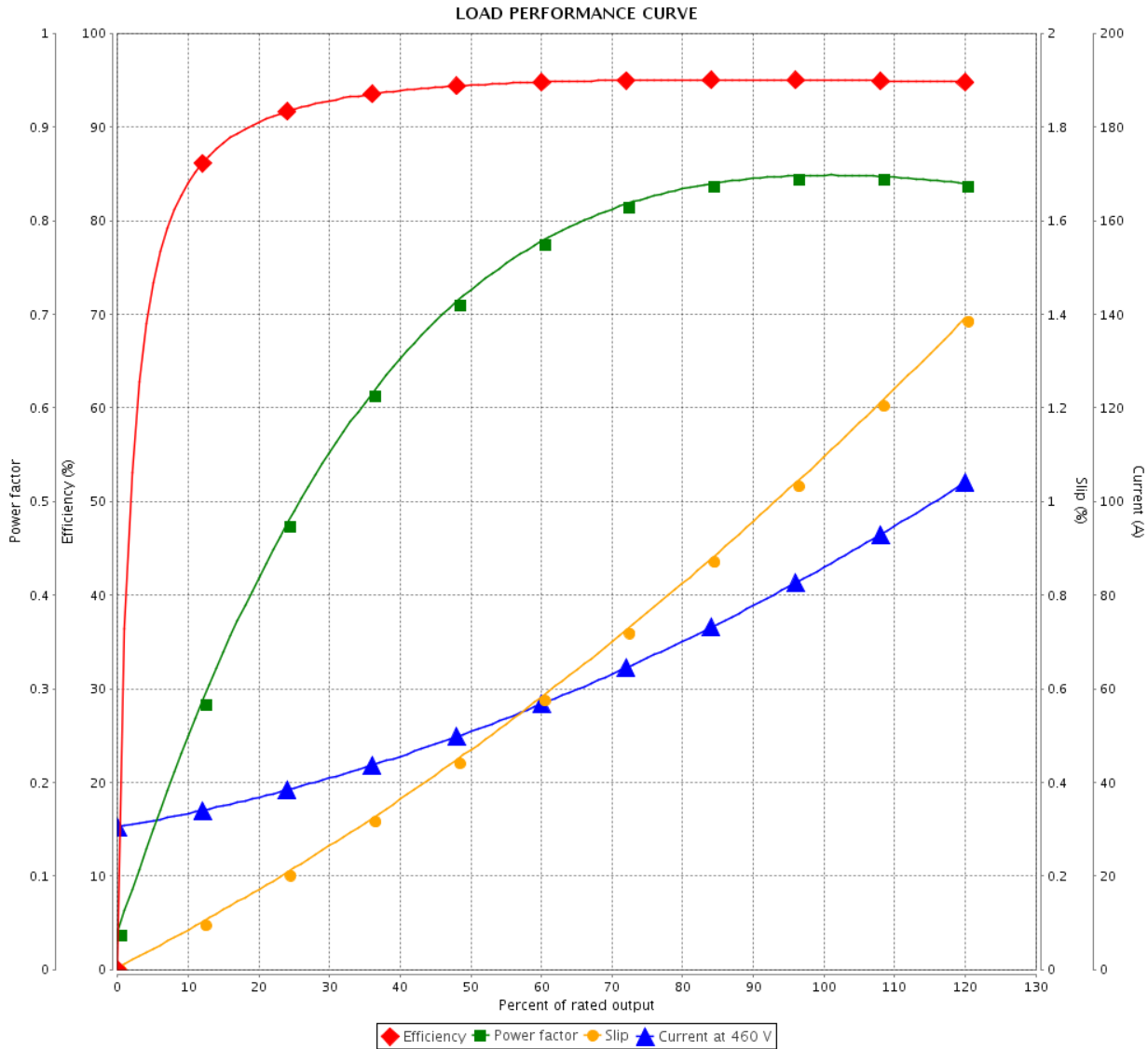
LOAD PERFORMANCE CURVE



Three Phase Induction Motor - Squirrel Cage

Customer : Dealers Industrial Equipment 800-469-3110
 Customer reference : 07518OT3GRB365T-W40

Product line : W40 NEMA Premium Efficiency Three-Phase Product code : 14285069
 Catalog # : 07518OT3GRB365T-W40



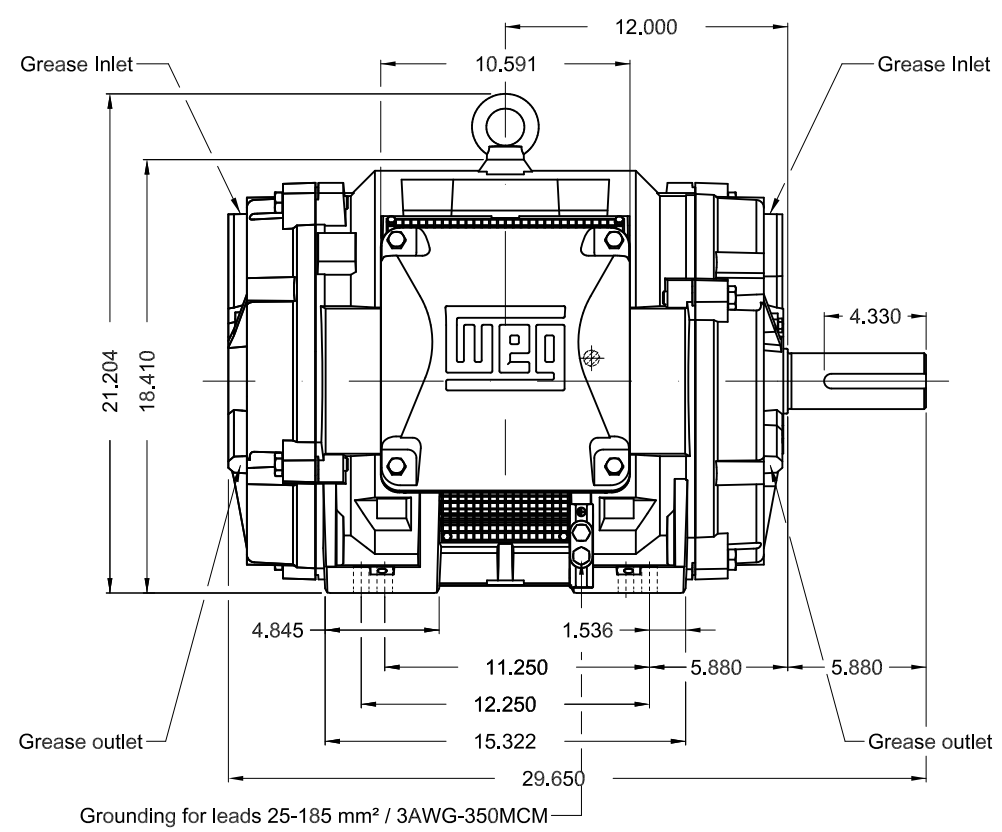
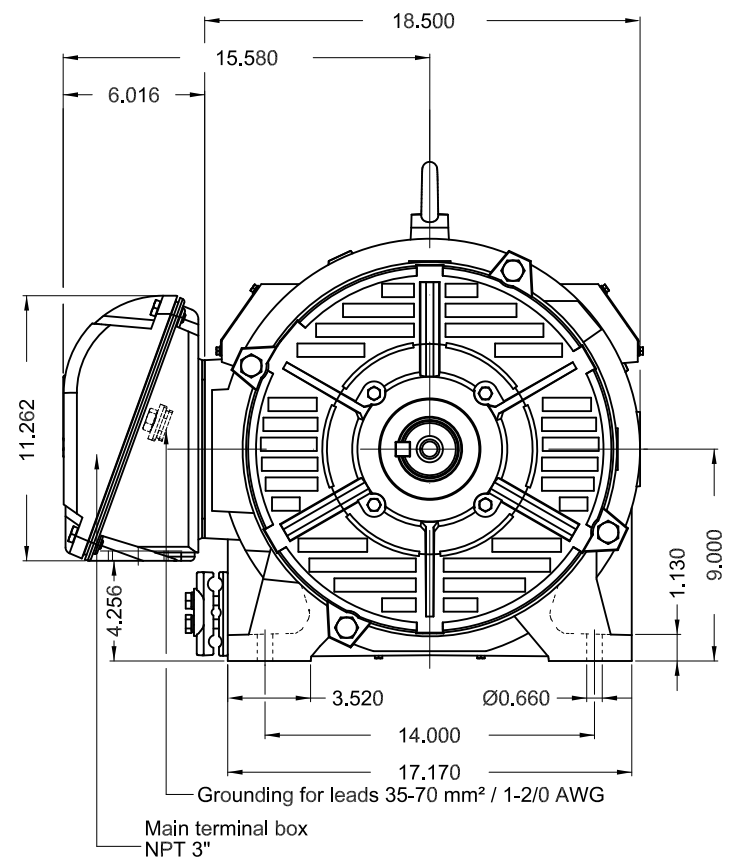
Performance : 460 V 60 Hz 4P

Rated current : 85.5 A	Moment of inertia (J) : 16.8 sq.ft.lb
LRC : 6.8	Duty cycle : Cont.(S1)
Rated torque : 218 ft.lb	Insulation class : F
Locked rotor torque : 220 %	Service factor : 1.25
Breakdown torque : 260 %	Temperature rise : 80 K
Rated speed : 1780 rpm	Design : B

Rev.	Changes Summary	Performed	Checked	Date
Performed by			Page 2 / 2	Revision
Checked by				
Date	14/04/2019			

Dimensões em polegada
Dimensions in inches

THIS IS AN UPDATED REVISION, THE
PREVIOUS ONE MUST BE DISREGARDED.



Shaft locking device
 Shaft material – AISI/SAE 4140
 C3 NDE bearing
 DE roller bearing
 Color RAL 5009
 Painting plan 203A
 Mounting B3R(D)

					SCALE	1:8		
ECM	LOC	SUMMARY OF MODIFICATIONS		EXECUTED	CHECKED	RELEASED	DATE	VER
EXECUTED	USERADMIN	THREE PHASE W40 MOTOR NEMA PREMIUM EFF						
CHECKED		FRAME 364/5T IP23 ODP						
RELEASED		WEG code: 14285069						
REL DT	14.04.2019	WMO	Jaragua do Sul	Product Engineering	SHEET	1 / 1		

75 HP 04 Poles 60Hz

A

