

DATA SHEET



Three Phase Induction Motor - Squirrel Cage

Customer : Dealers Industrial Equipment 800-469-3110		Customer reference : 25018OT3G445TS-W40																
Product line : W40 NEMA Premium Efficiency Three-Phase	Product code : 14285042	Catalog # : 25018OT3G445TS-W40																
Frame : 444/5TS Output : 250 HP (185 kW) Poles : 4 Frequency : 60 Hz Rated voltage : 460 V Rated current : 289 A L. R. Amperes : 1850 A LRC : 6.4x(Code G) No load current : 106 A Rated speed : 1780 rpm Slip : 1.11 % Rated torque : 728 ft.lb Locked rotor torque : 210 % Breakdown torque : 240 % Insulation class : F Service factor : 1.15 Moment of inertia (J) : 50.9 sq.ft.lb Design : B	Locked rotor time : 16s (cold) 9s (hot) Temperature rise : 80 K Duty cycle : Cont.(S1) Ambient temperature : -20°C to +40°C Altitude : 1000 m.a.s.l. Protection degree : IP23 Cooling method : IC01 - ODP Mounting : F-1 Rotation ¹ : Both (CW and CCW) Noise level ² : 78.0 dB(A) Starting method : Direct On Line Approx. weight ³ : 1481 lb																	
<table border="1"> <tr> <td>Output</td> <td>25%</td> <td>50%</td> <td>75%</td> <td>100%</td> </tr> <tr> <td>Efficiency (%)</td> <td>95.3</td> <td>95.4</td> <td>95.8</td> <td>95.8</td> </tr> <tr> <td>Power Factor</td> <td>0.46</td> <td>0.72</td> <td>0.80</td> <td>0.84</td> </tr> </table>	Output	25%	50%	75%	100%	Efficiency (%)	95.3	95.4	95.8	95.8	Power Factor	0.46	0.72	0.80	0.84	Foundation loads Max. traction : 4350 lb Max. compression : 5831 lb		
Output	25%	50%	75%	100%														
Efficiency (%)	95.3	95.4	95.8	95.8														
Power Factor	0.46	0.72	0.80	0.84														
<table border="1"> <tr> <td></td> <td><u>Drive end</u></td> <td><u>Non drive end</u></td> </tr> <tr> <td>Bearing type :</td> <td>6314 C3</td> <td>6212 Z C3</td> </tr> <tr> <td>Sealing :</td> <td>Without Bearing Seal</td> <td>Without Bearing Seal</td> </tr> <tr> <td>Lubrication interval :</td> <td>20000 h</td> <td>20000 h</td> </tr> <tr> <td>Lubricant amount :</td> <td>27 g</td> <td>13 g</td> </tr> <tr> <td>Lubricant type :</td> <td colspan="2">Mobil Polyrex EM</td> </tr> </table>		<u>Drive end</u>	<u>Non drive end</u>	Bearing type :	6314 C3	6212 Z C3	Sealing :	Without Bearing Seal	Without Bearing Seal	Lubrication interval :	20000 h	20000 h	Lubricant amount :	27 g	13 g	Lubricant type :	Mobil Polyrex EM	
	<u>Drive end</u>	<u>Non drive end</u>																
Bearing type :	6314 C3	6212 Z C3																
Sealing :	Without Bearing Seal	Without Bearing Seal																
Lubrication interval :	20000 h	20000 h																
Lubricant amount :	27 g	13 g																
Lubricant type :	Mobil Polyrex EM																	
Notes downloaded from http://dealerselectric.com																		
This revision replaces and cancel the previous one, which must be eliminated. (1) Looking the motor from the shaft end. (2) Measured at 1m and with tolerance of +3dB(A). (3) Approximate weight subject to changes after manufacturing process. (4) At 100% of full load.		These are average values based on tests with sinusoidal power supply, subject to the tolerances stipulated in NEMA MG-1.																
Rev.	Changes Summary	Performed	Checked	Date														
Performed by																		
Checked by			Page	Revision														
Date	16/04/2019		1 / 2															

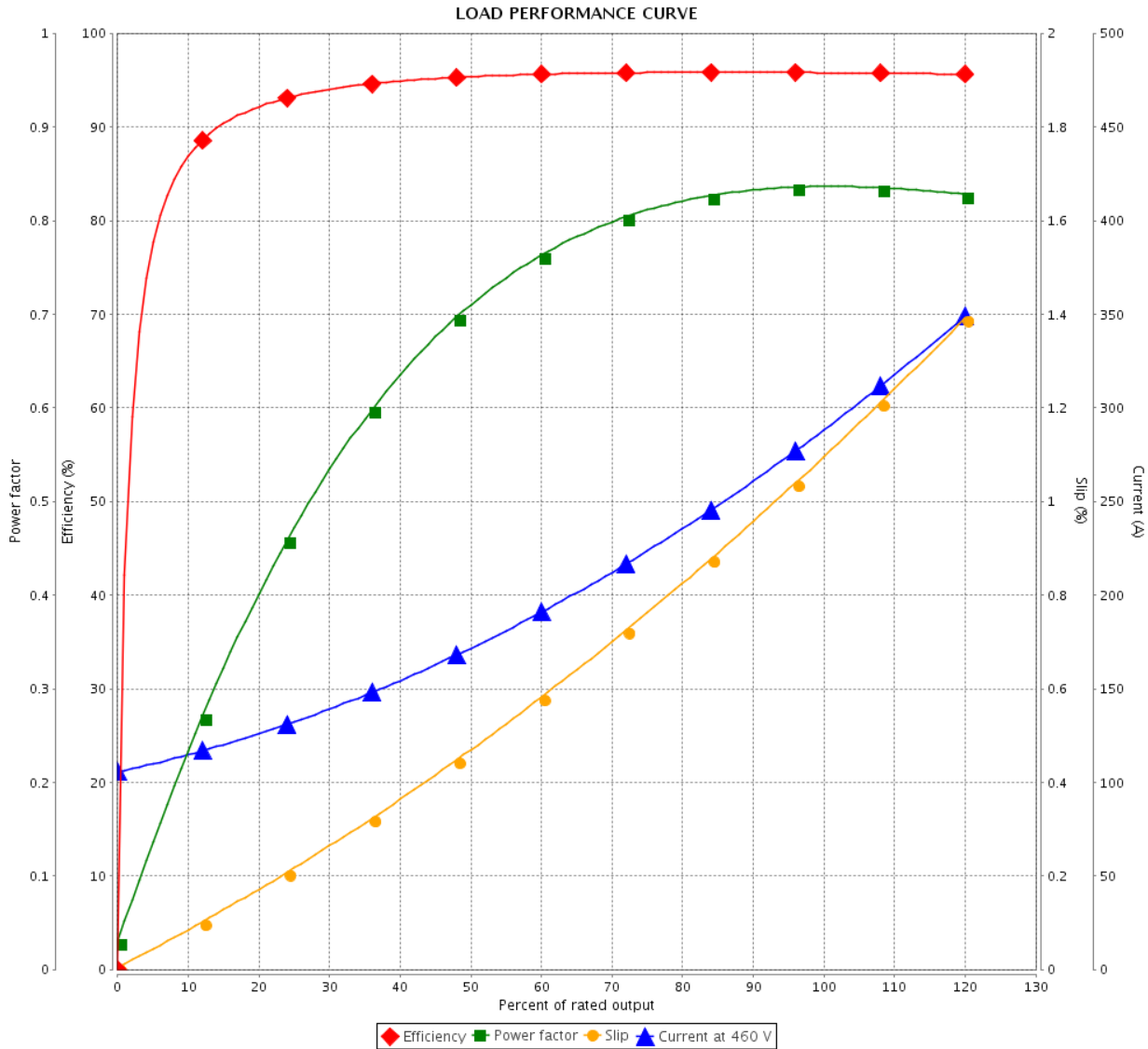
LOAD PERFORMANCE CURVE



Three Phase Induction Motor - Squirrel Cage

Customer : Dealers Industrial Equipment 800-469-3110
 Customer reference : 25018OT3G445TS-W40

Product line : W40 NEMA Premium Efficiency Three-Phase Product code : 14285042
 Catalog # : 25018OT3G445TS-W40



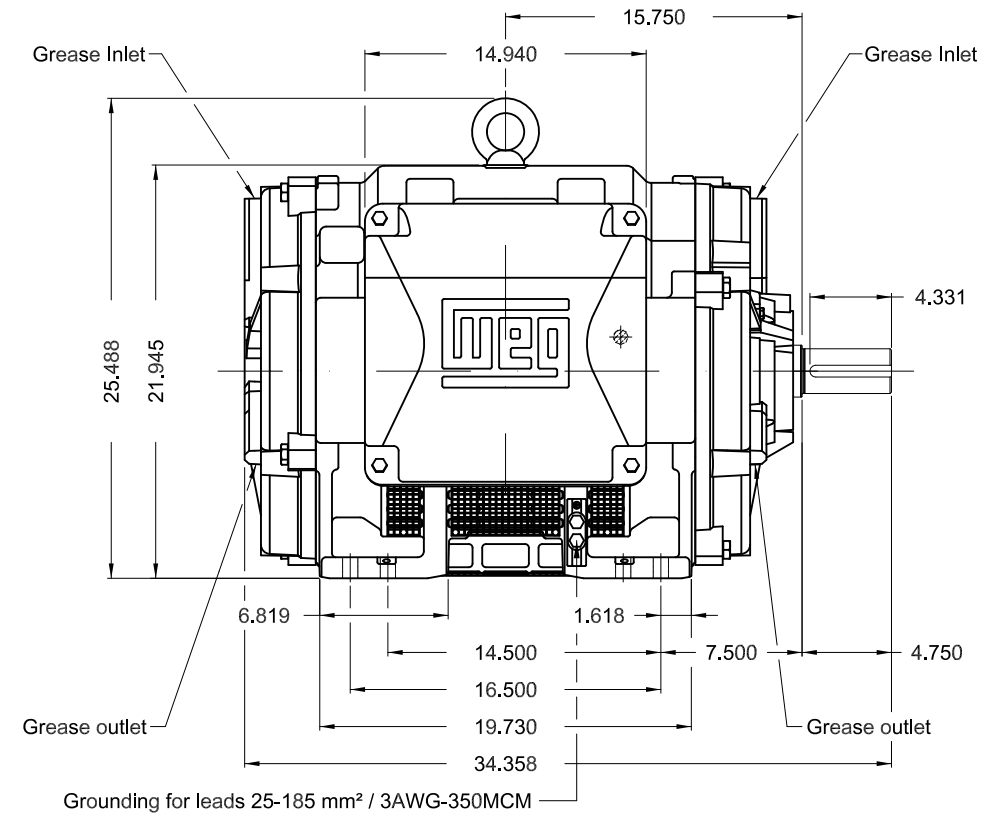
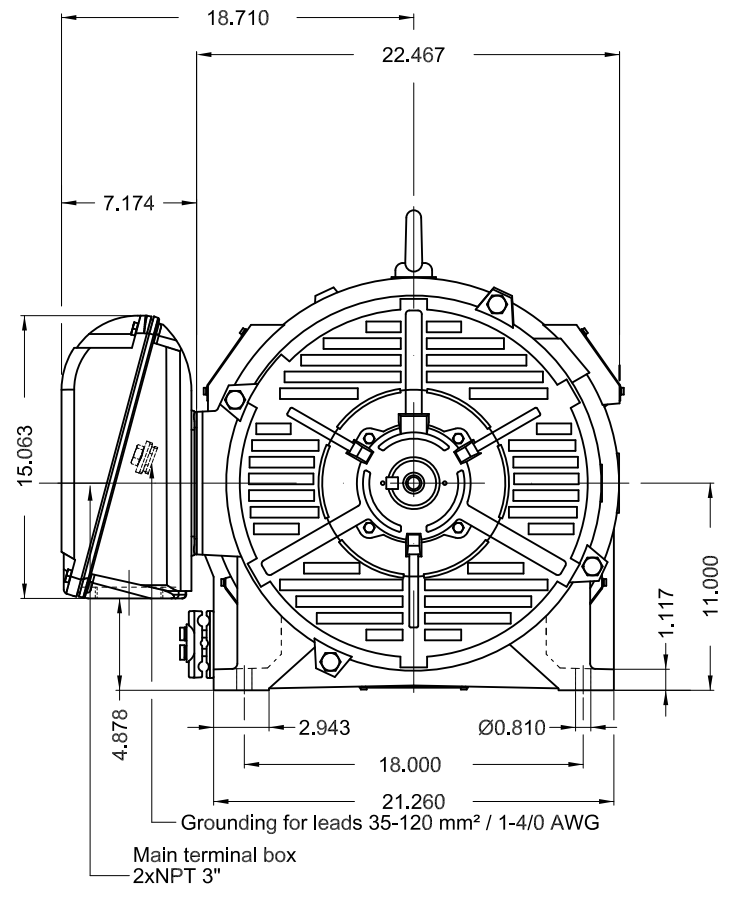
Performance : 460 V 60 Hz 4P

Rated current : 289 A	Moment of inertia (J) : 50.9 sq.ft.lb
LRC : 6.4	Duty cycle : Cont.(S1)
Rated torque : 728 ft.lb	Insulation class : F
Locked rotor torque : 210 %	Service factor : 1.15
Breakdown torque : 240 %	Temperature rise : 80 K
Rated speed : 1780 rpm	Design : B

Rev.	Changes Summary	Performed	Checked	Date
Performed by			Page 2 / 2	Revision
Checked by				
Date	16/04/2019			

Dimensões em polegada
Dimensions in inches

THIS IS AN UPDATED REVISION, THE
PREVIOUS ONE MUST BE DISREGARDED.



TS shaft end									
Color RAL 5009									
Painting plan 203A									
Mounting B3R(D)									
					SCALE	1:10			
ECM	LOC	SUMMARY OF MODIFICATIONS			EXECUTED	CHECKED	RELEASED	DATE	VER
EXECUTED	USERADMIN	THREE PHASE W40 MOTOR NEMA PREMIUM EFF							
CHECKED		FRAME 444/5TS IP23 ODP							
RELEASED		WEG code: 14285042							
REL DT	16.04.2019	WMO	Jaragua do Sul	Product Engineering	SHEET	1 / 1			

250 HP 04 Poles 60Hz

A

