

DATA SHEET



Three Phase Induction Motor - Squirrel Cage

Customer	: Dealers Industrial Equipment 800-469-3110				
Customer reference	: 20018OT3G445TSD-W40				
Product line	: W40 NEMA Premium Efficiency Three-Phase		Product code :	14285017	
			Catalog # :	20018OT3G445TSD-W40	
Frame	: 444/5TSD		Locked rotor time	: 25s (cold) 14s (hot)	
Output	: 200 HP (150 kW)		Temperature rise	: 80 K	
Poles	: 4		Duty cycle	: Cont.(S1)	
Frequency	: 60 Hz		Ambient temperature	: -20°C to +40°C	
Rated voltage	: 460 V		Altitude	: 1000 m.a.s.l.	
Rated current	: 234 A		Protection degree	: IP23	
L. R. Amperes	: 1544 A		Cooling method	: IC01 - ODP	
LRC	: 6.6x(Code G)		Mounting	: F-1	
No load current	: 86.5 A		Rotation ¹	: Both (CW and CCW)	
Rated speed	: 1783 rpm		Noise level ²	: 78.0 dB(A)	
Slip	: 0.94 %		Starting method	: Direct On Line	
Rated torque	: 581 ft.lb		Approx. weight ³	: 1472 lb	
Locked rotor torque	: 210 %				
Breakdown torque	: 250 %				
Insulation class	: F				
Service factor	: 1.15				
Moment of inertia (J)	: 46.4 sq.ft.lb				
Design	: B				
Output	25%	50%	75%	100%	
Efficiency (%)	95.3	95.4	95.8	95.8	
Power Factor	0.46	0.72	0.80	0.84	
			Foundation loads		
			Max. traction	: 3718 lb	
			Max. compression	: 5190 lb	
			<u>Drive end</u>	<u>Non drive end</u>	
Bearing type	:	6314 C3	6212 Z C3		
Sealing	:	Without Bearing Seal	Without Bearing Seal		
Lubrication interval	:	20000 h	20000 h		
Lubricant amount	:	27 g	13 g		
Lubricant type	:	Mobil Polyrex EM			
Notes					
downloaded from http://dealerselectric.com					
This revision replaces and cancel the previous one, which must be eliminated. (1) Looking the motor from the shaft end. (2) Measured at 1m and with tolerance of +3dB(A). (3) Approximate weight subject to changes after manufacturing process. (4) At 100% of full load.			These are average values based on tests with sinusoidal power supply, subject to the tolerances stipulated in NEMA MG-1.		
Rev.	Changes Summary		Performed	Checked	Date
Performed by					
Checked by				Page	Revision
Date	16/04/2019			1 / 2	

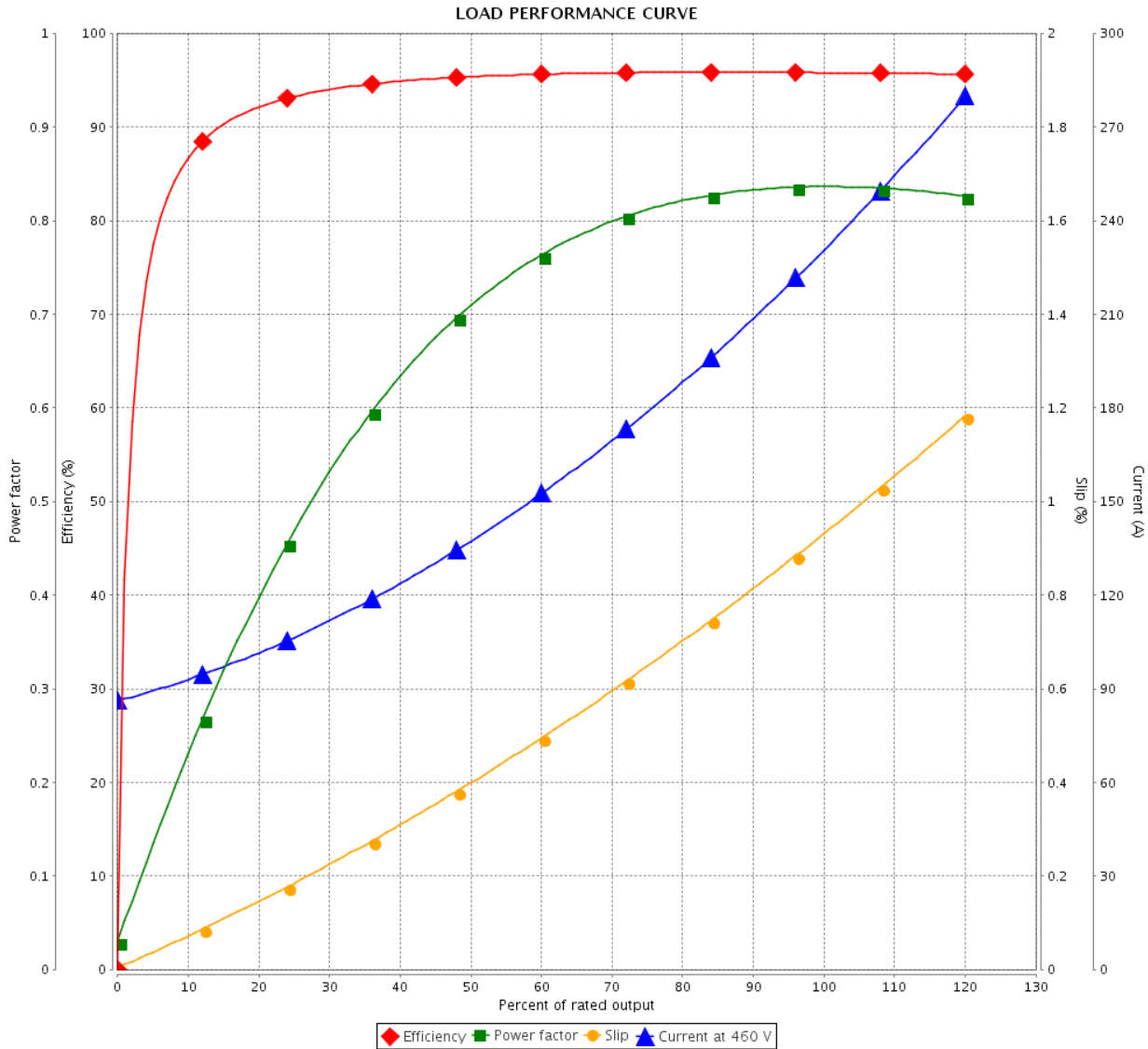
LOAD PERFORMANCE CURVE



Three Phase Induction Motor - Squirrel Cage

Customer : Dealers Industrial Equipment 800-469-3110
 Customer reference : 20018OT3G445TSD-W40

Product line : W40 NEMA Premium Efficiency Three-Phase Product code : 14285017
 Catalog # : 20018OT3G445TSD-W40



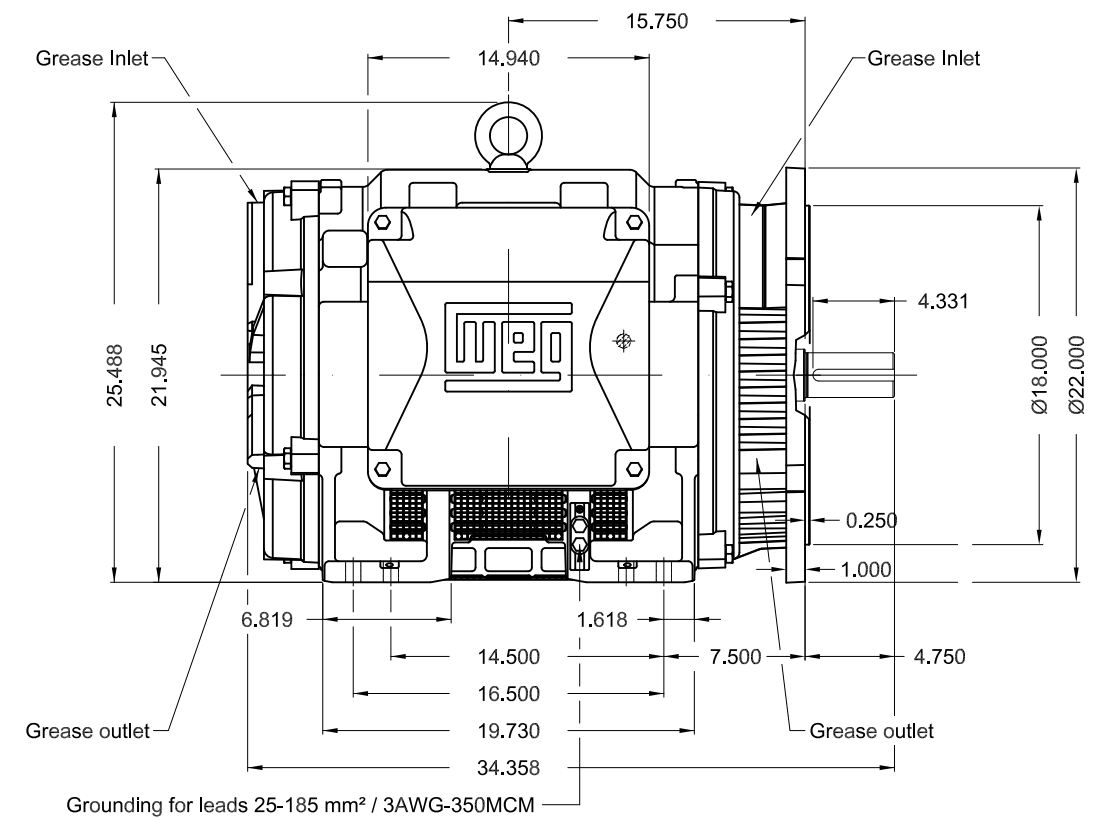
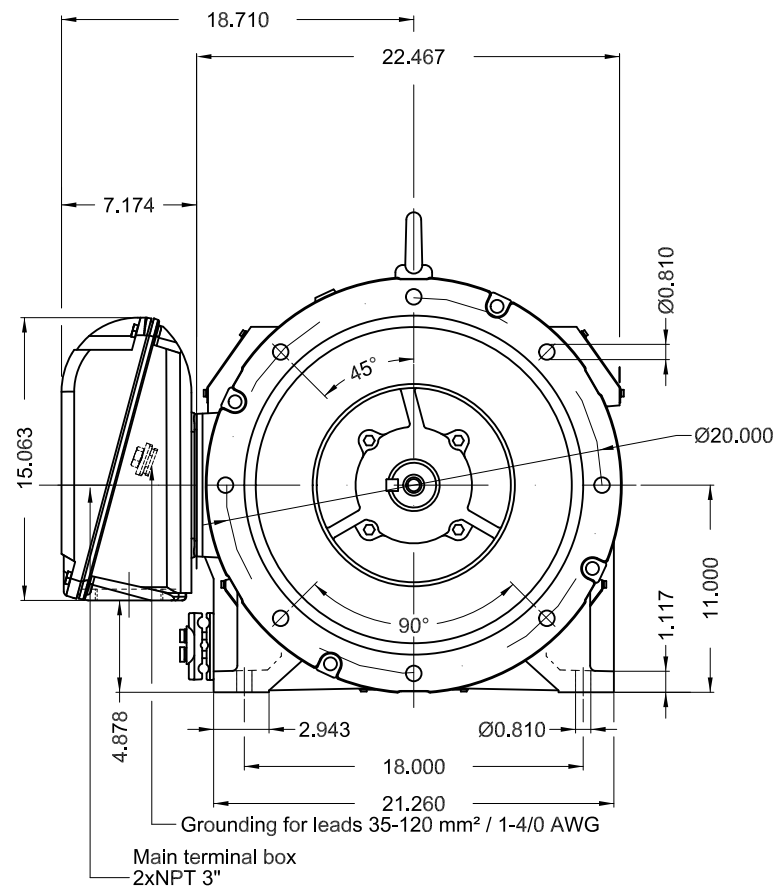
Performance : 460 V 60 Hz 4P

Rated current : 234 A	Moment of inertia (J) : 46.4 sq.ft.lb
LRC : 6.6	Duty cycle : Cont.(S1)
Rated torque : 581 ft.lb	Insulation class : F
Locked rotor torque : 210 %	Service factor : 1.15
Breakdown torque : 250 %	Temperature rise : 80 K
Rated speed : 1783 rpm	Design : B

Rev.	Changes Summary	Performed	Checked	Date
Performed by			Page 2 / 2	Revision
Checked by				
Date	16/04/2019			

Dimensões em polegada
Dimensions in inches

THIS IS AN UPDATED REVISION, THE
PREVIOUS ONE MUST BE DISREGARDED.



TS shaft end									
Color RAL 5009									
Painting plan 203A									
Mounting B35R(D)									
					SCALE	1:10			
ECM	LOC	SUMMARY OF MODIFICATIONS			EXECUTED	CHECKED	RELEASED	DATE	VER
EXECUTED	USERADMIN	THREE PHASE W40 MOTOR NEMA PREMIUM EFF							
CHECKED		FRAME 444/5TSD IP23 ODP							
RELEASED		WEG code: 14285017							
REL DT	16.04.2019	WMO	Jaragua do Sul	Product Engineering	SHEET	1 / 1			

200 HP 04 Poles 60Hz

A



ZME A3