

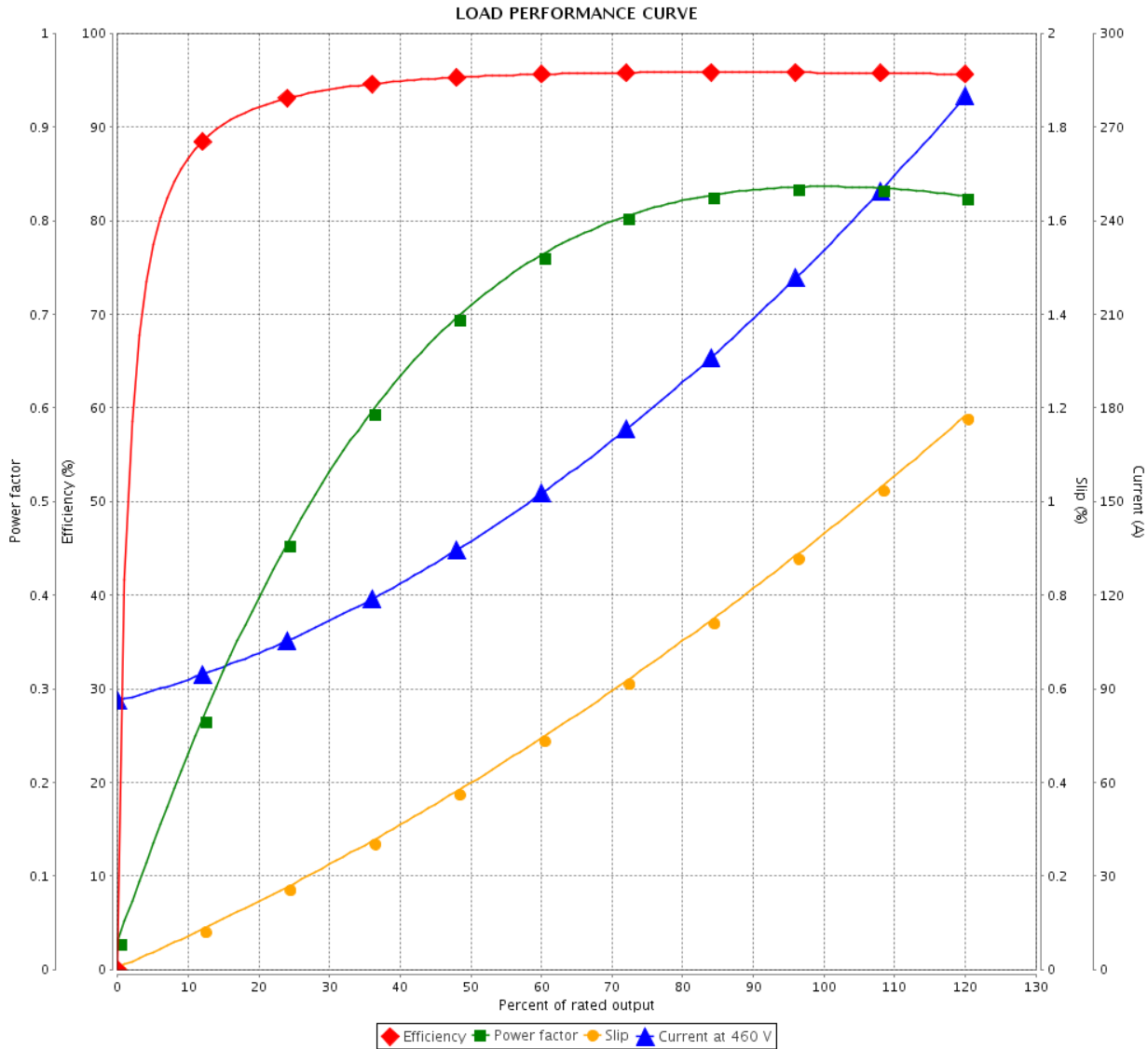
LOAD PERFORMANCE CURVE



Three Phase Induction Motor - Squirrel Cage

Customer : Dealers Industrial Equipment 800-469-3110
 Customer reference : 20018OT3G445TS-W40

Product line : W40 NEMA Premium Efficiency Three-Phase Product code : 14285014
 Catalog # : 20018OT3G445TS-W40



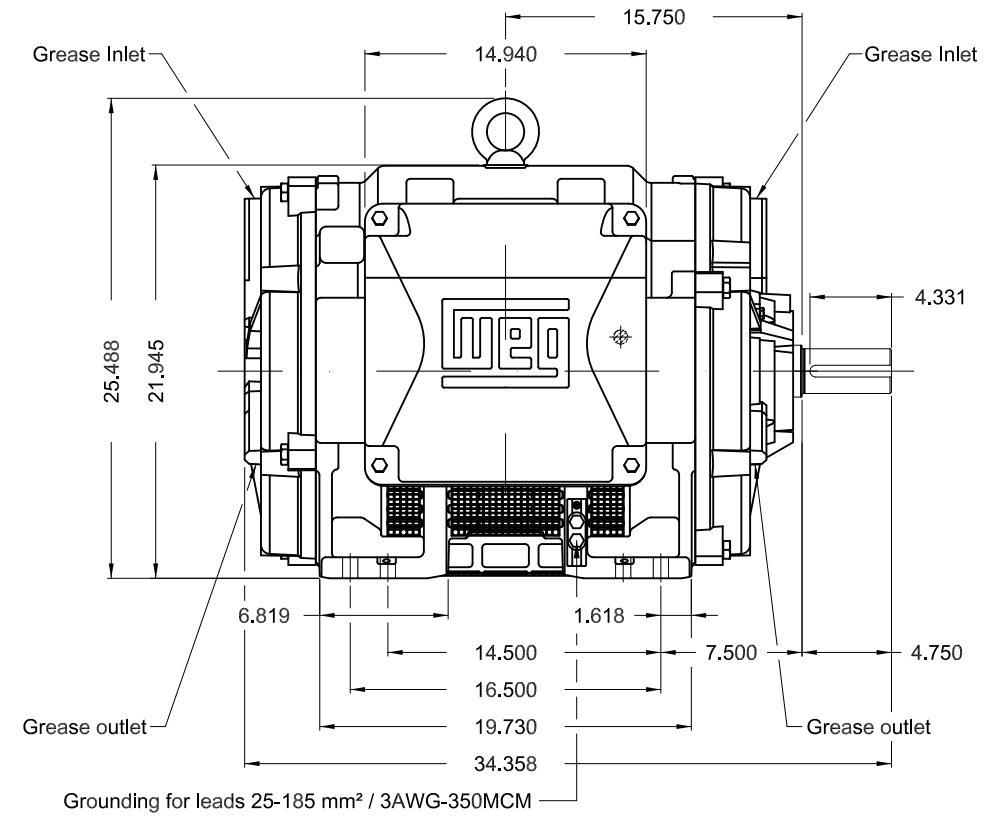
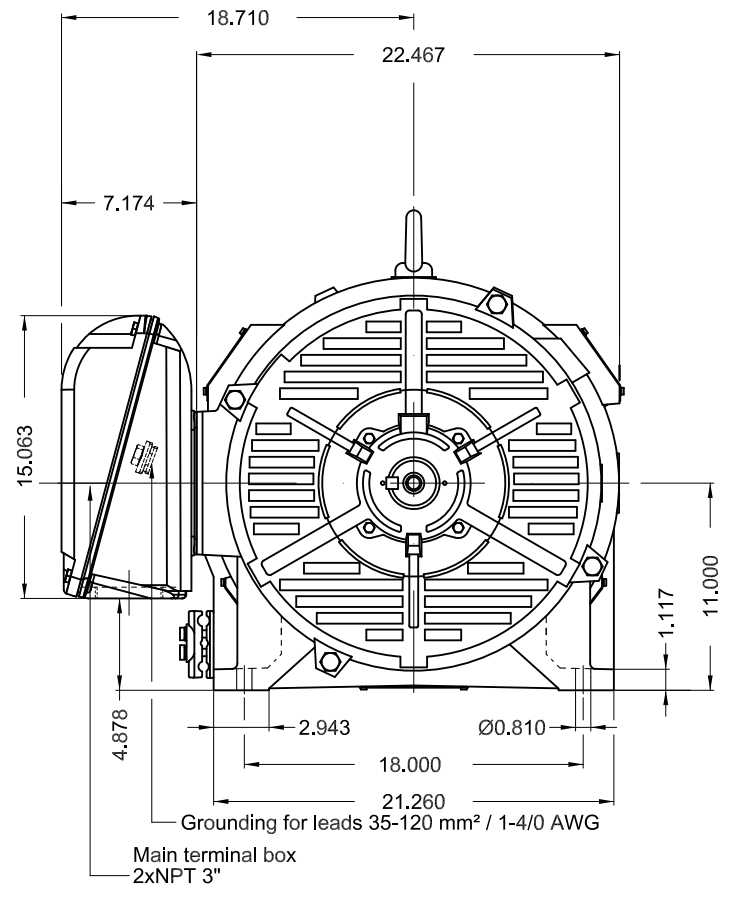
Performance : 460 V 60 Hz 4P

Rated current : 234 A	Moment of inertia (J) : 46.4 sq.ft.lb
LRC : 6.6	Duty cycle : Cont.(S1)
Rated torque : 581 ft.lb	Insulation class : F
Locked rotor torque : 210 %	Service factor : 1.15
Breakdown torque : 250 %	Temperature rise : 80 K
Rated speed : 1783 rpm	Design : B

Rev.	Changes Summary	Performed	Checked	Date
Performed by			Page 2 / 2	Revision
Checked by				
Date	16/04/2019			

Dimensões em polegada
Dimensions in inches

THIS IS AN UPDATED REVISION, THE
PREVIOUS ONE MUST BE DISREGARDED.



TS shaft end						
Color RAL 5009						
Painting plan 203A						
Mounting B3R(D)						
					SCALE	1:10
ECM	LOC	SUMMARY OF MODIFICATIONS			EXECUTED	CHECKED
EXECUTED	USERADMIN	THREE PHASE W40 MOTOR NEMA PREMIUM EFF				
CHECKED		FRAME 444/5TS IP23 ODP				
RELEASED		WEG code: 14285014				
REL DT	16.04.2019	WMO	Jaragua do Sul	Product Engineering	SHEET	1 / 1

200 HP 04 Poles 60Hz

A

