

# DATA SHEET



## Three Phase Induction Motor - Squirrel Cage

Customer		: Dealers Industrial Equipment 800-469-3110			
Customer reference		: 12518OT3E405TC-W40G			
Product line		: W40 NEMA Premium Efficiency Three-Phase		Product code :	14285006
				Catalog # :	12518OT3E405TC-W40G
Frame		: 404/5TC		Locked rotor time	: 18s (cold) 10s (hot)
Output		: 125 HP		Temperature rise	: 80 K
Poles		: 4		Duty cycle	: Cont.(S1)
Frequency		: 60 Hz		Ambient temperature	: -20°C to +40°C
Rated voltage		: 208-230/460 V		Altitude	: 1000 m.a.s.l.
Rated current		: 305-276/138 A		Protection degree	: IP23
L. R. Amperes		: 2106-1904/952 A		Cooling method	: IC01 - ODP
LRC		: 6.9x(Code G)		Mounting	: F-1
No load current		: 81.0-94.0/47.0 A		Rotation <sup>1</sup>	: Both (CW and CCW)
Rated speed		: 1780 rpm		Noise level <sup>2</sup>	: 69.0 dB(A)
Slip		: 1.11 %		Starting method	: Direct On Line
Rated torque		: 364 ft.lb		Approx. weight <sup>3</sup>	: 1072 lb
Locked rotor torque		: 270 %			
Breakdown torque		: 260 %			
Insulation class		: F			
Service factor		: 1.25			
Moment of inertia (J)		: 25.5 sq.ft.lb			
Design		: B			
Output	25%	50%	75%	100%	Foundation loads
Efficiency (%)	94.9	95.0	95.4	95.4	Max. traction
Power Factor	0.50	0.75	0.83	0.86	Max. compression
					: 2869 lb
					: 3941 lb
		<u>Drive end</u>		<u>Non drive end</u>	
Bearing type		: 6316 C3		6212 Z C3	
Sealing		: Without Bearing Seal		Without Bearing Seal	
Lubrication interval		: 20000 h		20000 h	
Lubricant amount		: 34 g		13 g	
Lubricant type		: Mobil Polyrex EM			
<p>Notes downloaded from <a href="http://dealersselectric.com">http://dealersselectric.com</a></p>					
<p>This revision replaces and cancel the previous one, which must be eliminated. (1) Looking the motor from the shaft end. (2) Measured at 1m and with tolerance of +3dB(A). (3) Approximate weight subject to changes after manufacturing process. (4) At 100% of full load.</p>			<p>These are average values based on tests with sinusoidal power supply, subject to the tolerances stipulated in NEMA MG-1.</p>		
Rev.	Changes Summary			Performed	Checked
Performed by					
Checked by					
Date	15/04/2019				
				Page	Revision
				1 / 2	

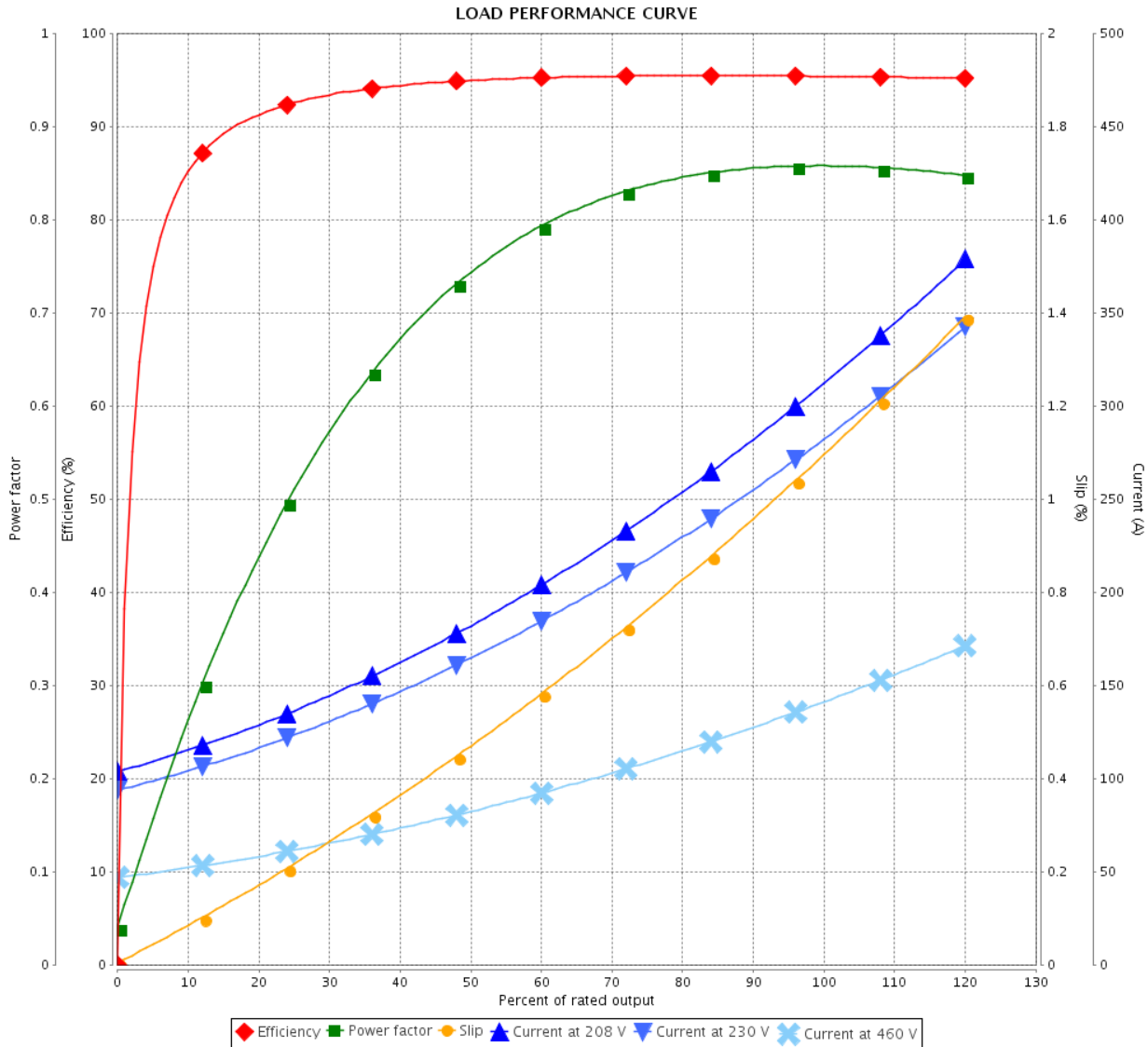
# LOAD PERFORMANCE CURVE

## Three Phase Induction Motor - Squirrel Cage



Customer : Dealers Industrial Equipment 800-469-3110  
 Customer reference : 12518OT3E405TC-W40G

Product line : W40 NEMA Premium Efficiency Three-Phase      Product code : 14285006  
 Catalog # : 12518OT3E405TC-W40G



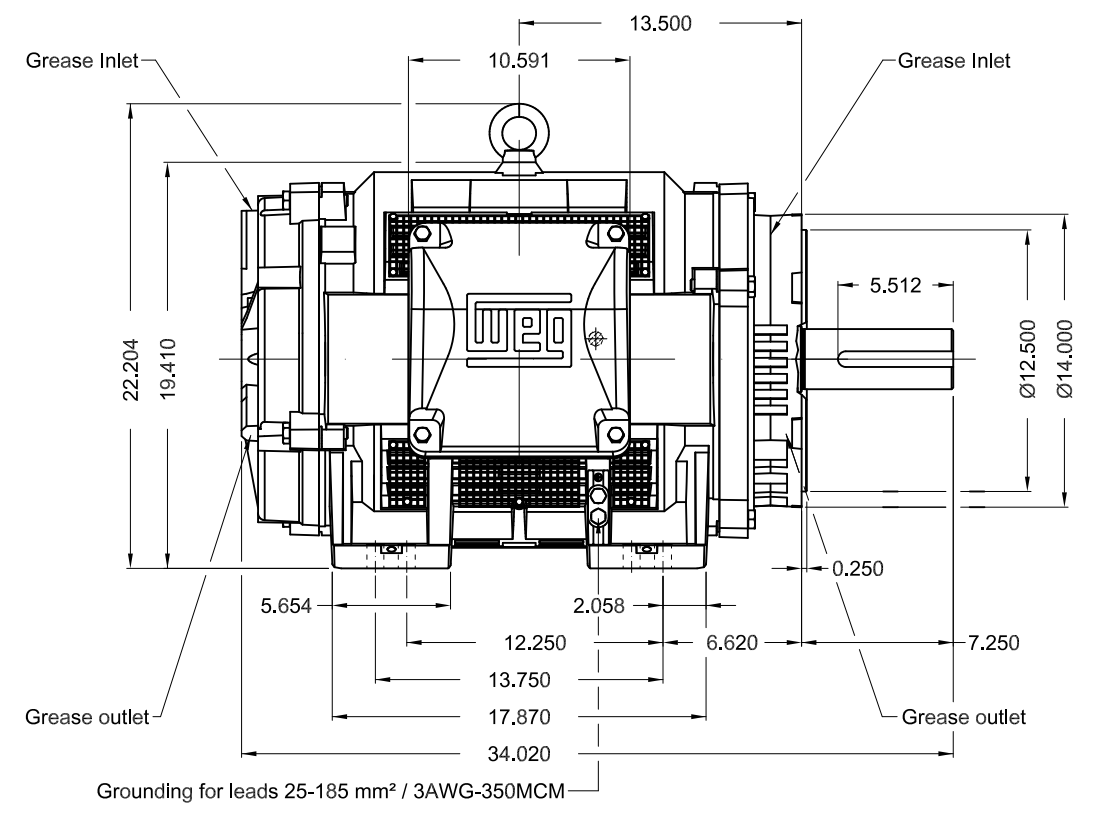
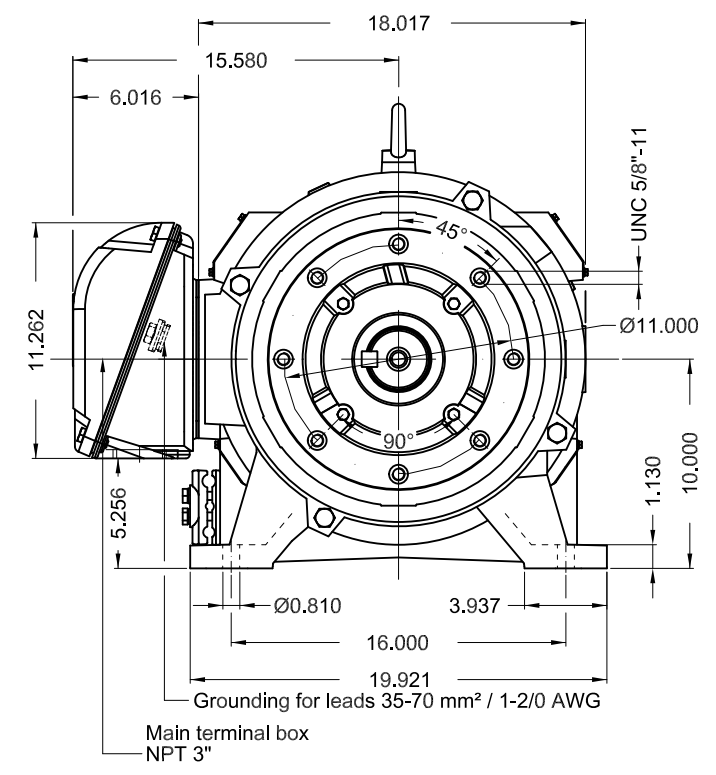
Performance : 208-230/460 V 60 Hz 4P

Rated current : 305-276/138 A	Moment of inertia (J) : 25.5 sq.ft.lb
LRC : 6.9	Duty cycle : Cont.(S1)
Rated torque : 364 ft.lb	Insulation class : F
Locked rotor torque : 270 %	Service factor : 1.25
Breakdown torque : 260 %	Temperature rise : 80 K
Rated speed : 1780 rpm	Design : B

Rev.	Changes Summary	Performed	Checked	Date
Performed by			Page	Revision
Checked by				
Date				

Dimensões em polegada  
Dimensions in inches

THIS IS AN UPDATED REVISION, THE  
PREVIOUS ONE MUST BE DISREGARDED.



Internal AEGIS ground ring on the DE						
Color RAL 5009						
Painting plan 203A						
Mounting B34R(D)						
					SCALE	1:9
ECM	LOC	SUMMARY OF MODIFICATIONS			EXECUTED	CHECKED
EXECUTED	USERADMIN	THREE PHASE W40 MOTOR NEMA PREMIUM EFF				
CHECKED		FRAME 404/5TC IP23 ODP				
RELEASED		WEG code: 14285006				
REL DT	15.04.2019	WMO	Jaragua do Sul	Product Engineering	SHEET	1 / 1

125 HP 04 Poles 60Hz

A

