

DATA SHEET



Three Phase Induction Motor - Squirrel Cage

Customer : Dealers Industrial Equipment 800-469-3110		Customer reference : 10012OT3E444T-W40G				
Product line : W40 NEMA Premium Efficiency Three-Phase		Product code : 14285003	Catalog # : 10012OT3E444T-W40G			
Frame : 444/5T	Output : 100 HP (75 kW)	Locked rotor time : 23s (cold) 13s (hot)	Temperature rise : 80 K			
Poles : 6	Frequency : 60 Hz	Duty cycle : Cont.(S1)	Ambient temperature : -20°C to +40°C			
Rated voltage : 208-230/460 V	Rated current : 281-254/127 A	Altitude : 1000 m.a.s.l.	Protection degree : IP23			
L. R. Amperes : 1713-1549/775 A	LRC : 6.1x(Code G)	Cooling method : IC01 - ODP	Mounting : F-1			
No load current : 97.4-113/56.5 A	Rated speed : 1190 rpm	Rotation ¹ : Both (CW and CCW)	Noise level ² : 69.0 dB(A)			
Slip : 0.83 %	Rated torque : 435 ft.lb	Starting method : Direct On Line	Approx. weight ³ : 1301 lb			
Locked rotor torque : 200 %	Breakdown torque : 250 %					
Insulation class : F	Service factor : 1.25					
Moment of inertia (J) : 60.6 sq.ft.lb	Design : B					
Output	25%	50%	75%	100%		
Efficiency (%)	94.4	94.5	95.0	95.0		
Power Factor	0.37	0.61	0.71	0.78		
Foundation loads						
Max. traction : 2425 lb						
Max. compression : 3726 lb						
		<u>Drive end</u>		<u>Non drive end</u>		
Bearing type	:	6319 C3		6314 C3		
Sealing	:	Without Bearing Seal		Without Bearing Seal		
Lubrication interval	:	20000 h		20000 h		
Lubricant amount	:	45 g		27 g		
Lubricant type	:	Mobil Polyrex EM				
Notes downloaded from http://dealerselectric.com						
This revision replaces and cancel the previous one, which must be eliminated. (1) Looking the motor from the shaft end. (2) Measured at 1m and with tolerance of +3dB(A). (3) Approximate weight subject to changes after manufacturing process. (4) At 100% of full load.			These are average values based on tests with sinusoidal power supply, subject to the tolerances stipulated in NEMA MG-1.			
Rev.	Changes Summary			Performed	Checked	Date
Performed by						
Checked by					Page	Revision
Date	14/04/2019				1 / 2	

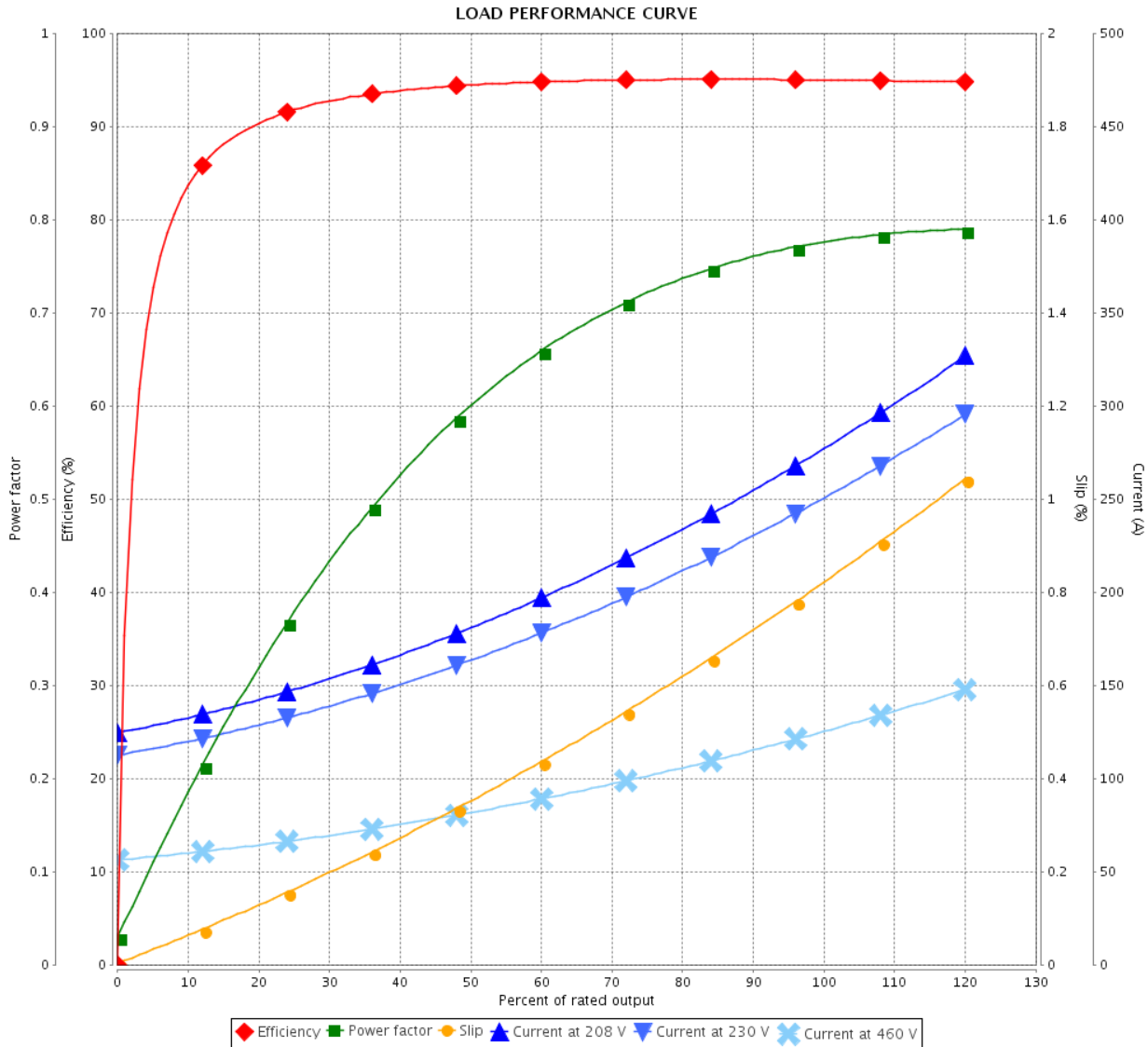
LOAD PERFORMANCE CURVE



Three Phase Induction Motor - Squirrel Cage

Customer : Dealers Industrial Equipment 800-469-3110
 Customer reference : 10012OT3E444T-W40G

Product line : W40 NEMA Premium Efficiency Three-Phase Product code : 14285003
 Catalog # : 10012OT3E444T-W40G



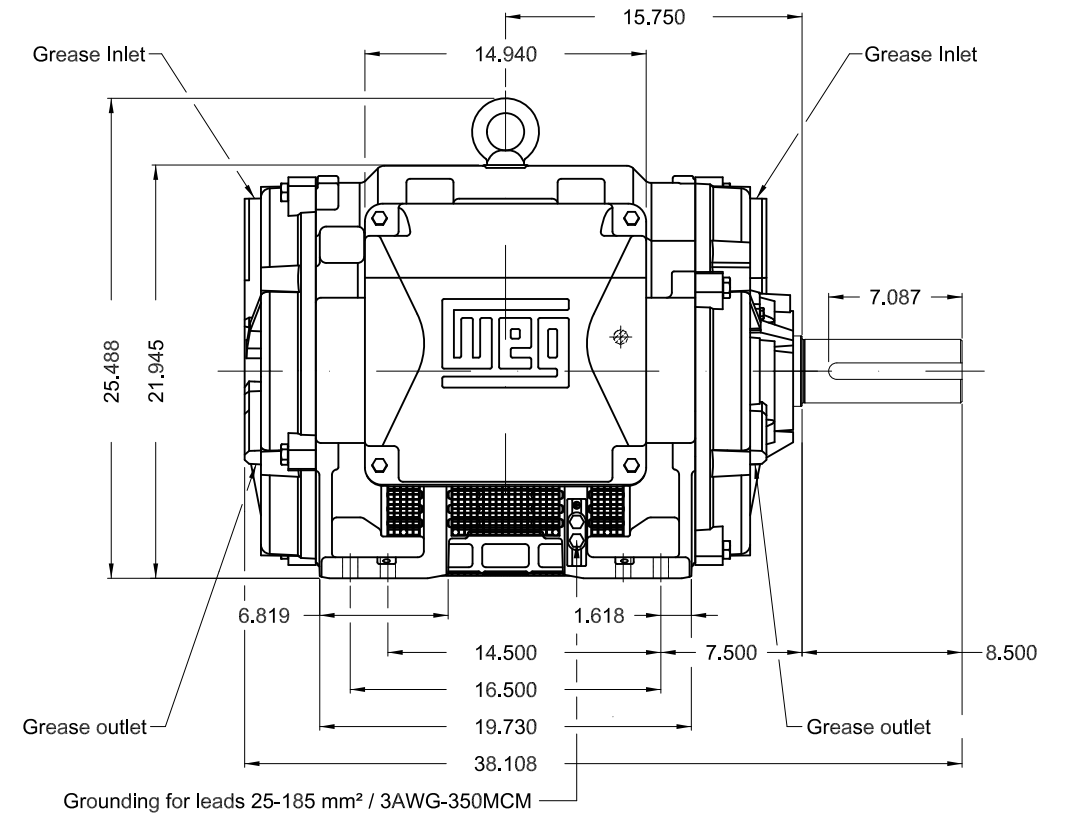
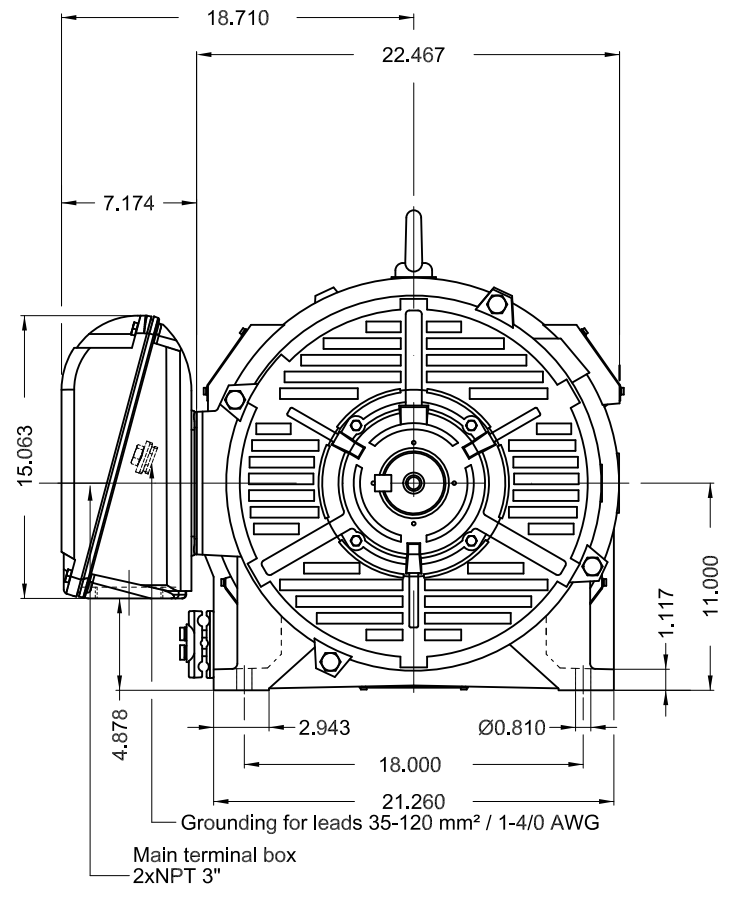
Performance : 208-230/460 V 60 Hz 6P

Rated current : 281-254/127 A	Moment of inertia (J) : 60.6 sq.ft.lb
LRC : 6.1	Duty cycle : Cont.(S1)
Rated torque : 435 ft.lb	Insulation class : F
Locked rotor torque : 200 %	Service factor : 1.25
Breakdown torque : 250 %	Temperature rise : 80 K
Rated speed : 1190 rpm	Design : B

Rev.	Changes Summary	Performed	Checked	Date
Performed by			Page 2 / 2	Revision
Checked by				
Date	14/04/2019			

Dimensões em polegada
Dimensions in inches

THIS IS AN UPDATED REVISION, THE
PREVIOUS ONE MUST BE DISREGARDED.



C3 NDE bearing						
Internal AEGIS ground ring on the DE						
Color RAL 5009						
Painting plan 203A						
Mounting B3R(D)						
					SCALE	1:10
ECM	LOC	SUMMARY OF MODIFICATIONS			EXECUTED	CHECKED
EXECUTED	USERADMIN	THREE PHASE W40 MOTOR NEMA PREMIUM EFF				
CHECKED		FRAME 444/5T IP23 ODP				
RELEASED		WEG code: 14285003				
REL DT	14.04.2019	WMO	Jaragua do Sul	Product Engineering	SHEET	1 / 1

100 HP 06 Poles 60Hz

A

