



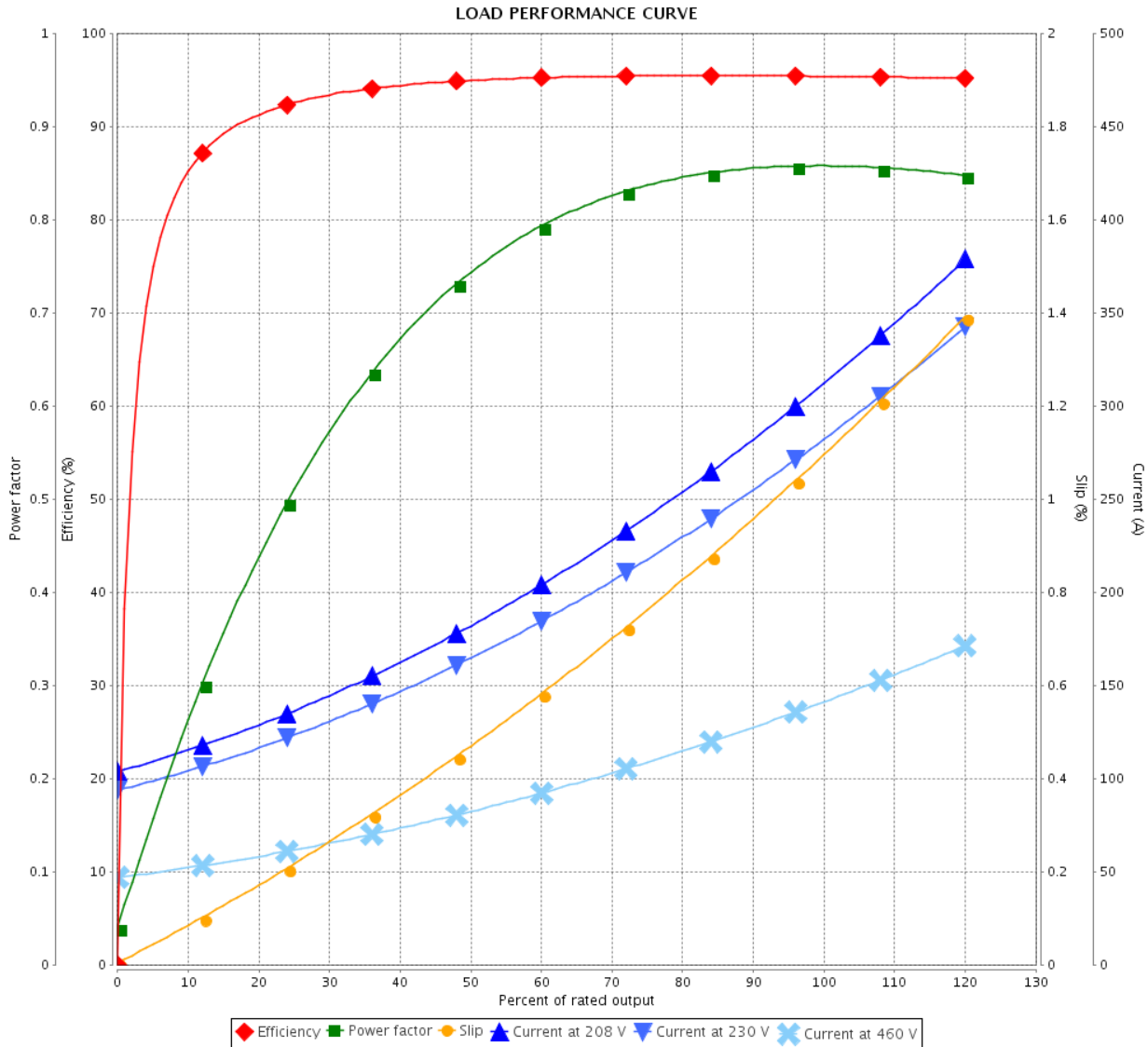
# LOAD PERFORMANCE CURVE



## Three Phase Induction Motor - Squirrel Cage

Customer : Dealers Industrial Equipment 800-469-3110  
 Customer reference : 12518OT3E405TS-W40

Product line : W40 NEMA Premium Efficiency Three-Phase      Product code : 14284929  
 Catalog # : 12518OT3E405TS-W40



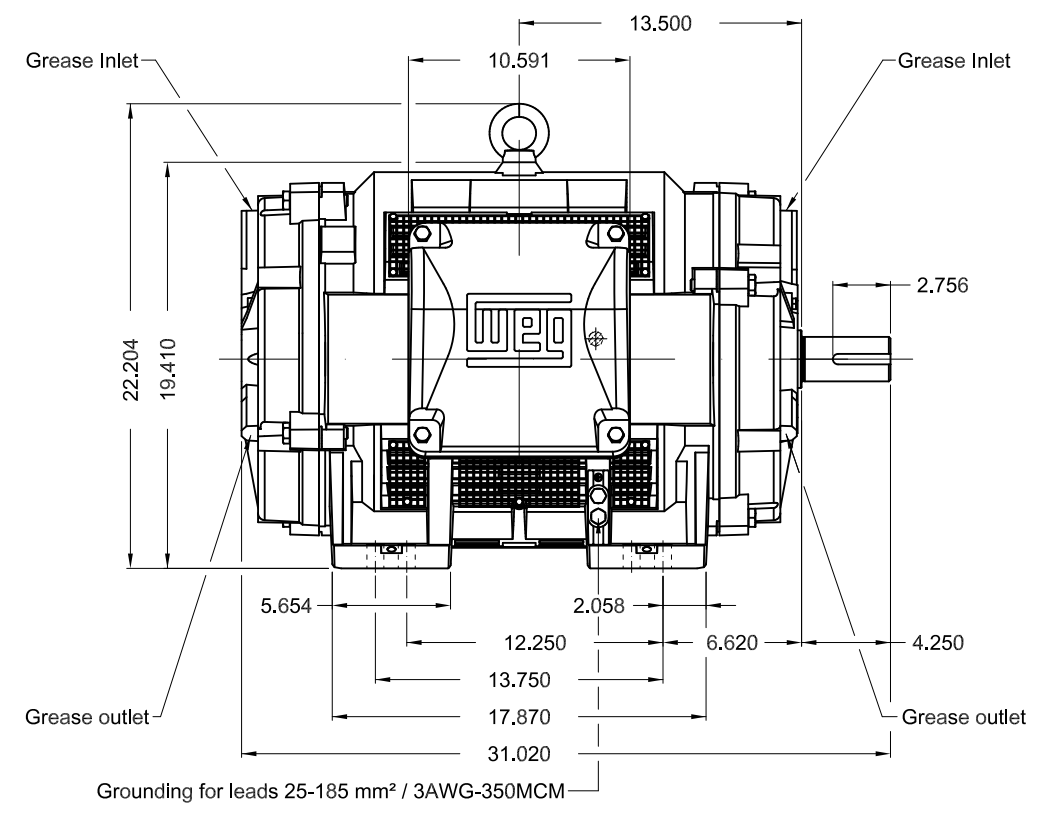
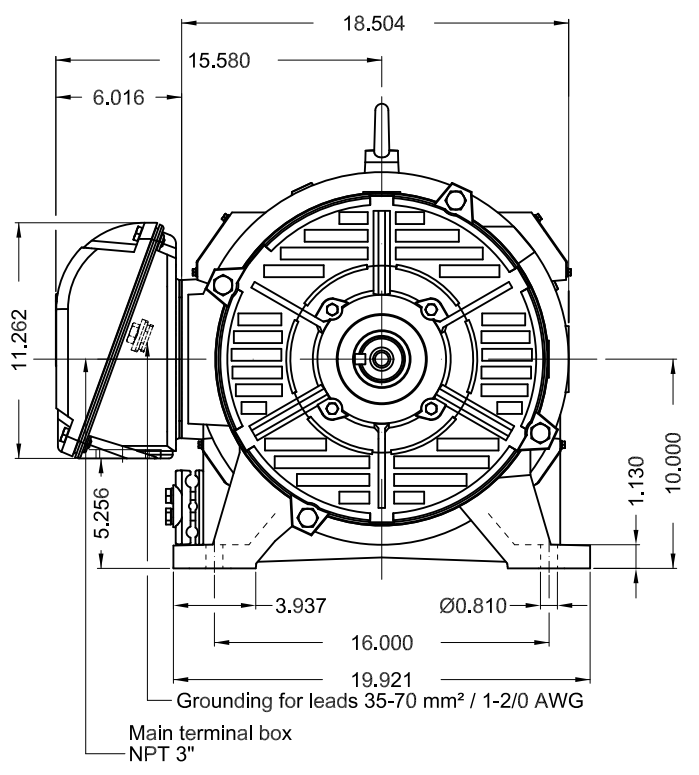
Performance : 208-230/460 V 60 Hz 4P

Rated current : 305-276/138 A	Moment of inertia (J) : 25.5 sq.ft.lb
LRC : 6.9	Duty cycle : Cont.(S1)
Rated torque : 364 ft.lb	Insulation class : F
Locked rotor torque : 270 %	Service factor : 1.25
Breakdown torque : 260 %	Temperature rise : 80 K
Rated speed : 1780 rpm	Design : B

Rev.	Changes Summary	Performed	Checked	Date
Performed by			Page	Revision
Checked by				
Date				

Dimensões em polegada  
Dimensions in inches

THIS IS AN UPDATED REVISION, THE  
PREVIOUS ONE MUST BE DISREGARDED.



TS shaft end						
Shaft material – SAE/ABNT 1040/45						
Color RAL 5009						
Painting plan 203A						
Mounting B3R(D)						
					SCALE	1:9
ECM	LOC	SUMMARY OF MODIFICATIONS			EXECUTED	CHECKED
EXECUTED	USERADMIN	THREE PHASE W40 MOTOR NEMA PREMIUM EFF				
CHECKED		FRAME 404/5TS IP23 ODP				
RELEASED		WEG code: 14284929				
REL DT	15.04.2019	WMO	Jaragua do Sul	Product Engineering	SHEET	1 / 1

125 HP 04 Poles 60Hz

A

