

DATA SHEET



Three Phase Induction Motor - Squirrel Cage

Customer : Dealers Industrial Equipment 800-469-3110																			
Customer reference : 10018OT3G404TS-W40																			
Product line : W40 NEMA Premium Efficiency Three-Phase	Product code : 14284796 Catalog # : 10018OT3G404TS-W40																		
Frame : 404/5TS Output : 100 HP (75 kW) Poles : 4 Frequency : 60 Hz Rated voltage : 460 V Rated current : 115 A L. R. Amperes : 782 A LRC : 6.8x(Code G) No load current : 39.7 A Rated speed : 1780 rpm Slip : 1.11 % Rated torque : 291 ft.lb Locked rotor torque : 200 % Breakdown torque : 250 % Insulation class : F Service factor : 1.25 Moment of inertia (J) : 21.9 sq.ft.lb Design : B	Locked rotor time : 21s (cold) 12s (hot) Temperature rise : 80 K Duty cycle : Cont.(S1) Ambient temperature : -20°C to +40°C Altitude : 1000 m.a.s.l. Protection degree : IP23 Cooling method : IC01 - ODP Mounting : F-1 Rotation ¹ : Both (CW and CCW) Noise level ² : 69.0 dB(A) Starting method : Direct On Line Approx. weight ³ : 935 lb																		
<table border="1"> <tr> <td>Output</td> <td>25%</td> <td>50%</td> <td>75%</td> <td>100%</td> </tr> <tr> <td>Efficiency (%)</td> <td>94.9</td> <td>95.0</td> <td>95.4</td> <td>95.4</td> </tr> <tr> <td>Power Factor</td> <td>0.49</td> <td>0.75</td> <td>0.83</td> <td>0.86</td> </tr> </table>	Output	25%	50%	75%	100%	Efficiency (%)	94.9	95.0	95.4	95.4	Power Factor	0.49	0.75	0.83	0.86	Foundation loads Max. traction : 1919 lb Max. compression : 2853 lb			
Output	25%	50%	75%	100%															
Efficiency (%)	94.9	95.0	95.4	95.4															
Power Factor	0.49	0.75	0.83	0.86															
<table border="1"> <tr> <td></td> <td><u>Drive end</u></td> <td><u>Non drive end</u></td> </tr> <tr> <td>Bearing type</td> <td>: 6314 C3</td> <td>: 6212 Z C3</td> </tr> <tr> <td>Sealing</td> <td>: Without Bearing Seal</td> <td>: Without Bearing Seal</td> </tr> <tr> <td>Lubrication interval</td> <td>: 20000 h</td> <td>: 20000 h</td> </tr> <tr> <td>Lubricant amount</td> <td>: 27 g</td> <td>: 13 g</td> </tr> <tr> <td>Lubricant type</td> <td colspan="2">: Mobil Polyrex EM</td> </tr> </table>			<u>Drive end</u>	<u>Non drive end</u>	Bearing type	: 6314 C3	: 6212 Z C3	Sealing	: Without Bearing Seal	: Without Bearing Seal	Lubrication interval	: 20000 h	: 20000 h	Lubricant amount	: 27 g	: 13 g	Lubricant type	: Mobil Polyrex EM	
	<u>Drive end</u>	<u>Non drive end</u>																	
Bearing type	: 6314 C3	: 6212 Z C3																	
Sealing	: Without Bearing Seal	: Without Bearing Seal																	
Lubrication interval	: 20000 h	: 20000 h																	
Lubricant amount	: 27 g	: 13 g																	
Lubricant type	: Mobil Polyrex EM																		
Notes downloaded from http://dealerselectric.com																			
This revision replaces and cancel the previous one, which must be eliminated. (1) Looking the motor from the shaft end. (2) Measured at 1m and with tolerance of +3dB(A). (3) Approximate weight subject to changes after manufacturing process. (4) At 100% of full load.	These are average values based on tests with sinusoidal power supply, subject to the tolerances stipulated in NEMA MG-1.																		
Rev.	Changes Summary	Performed	Checked	Date															
Performed by																			
Checked by			Page	Revision															
Date	15/04/2019		1 / 2																

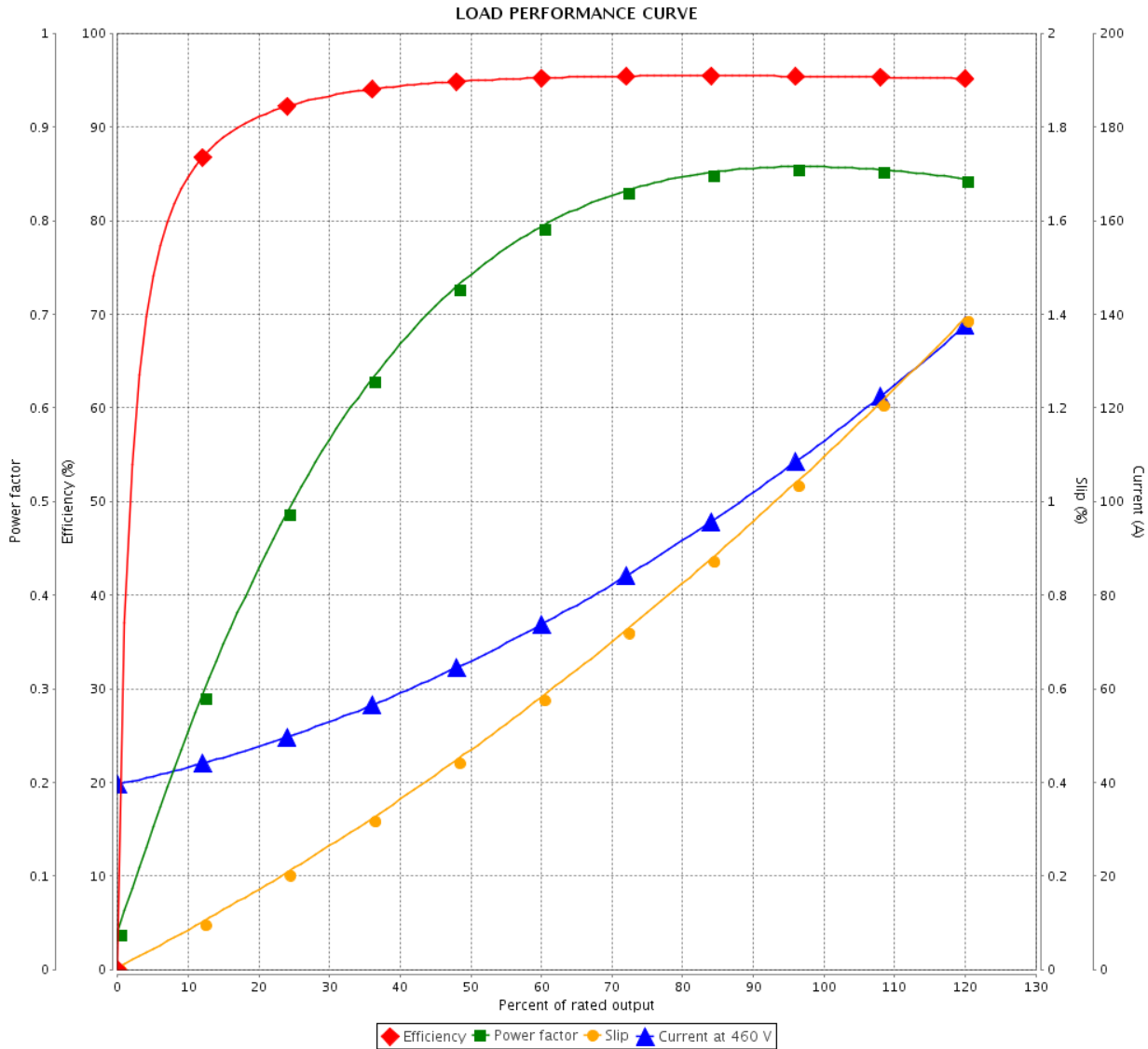
LOAD PERFORMANCE CURVE



Three Phase Induction Motor - Squirrel Cage

Customer : Dealers Industrial Equipment 800-469-3110
 Customer reference : 10018OT3G404TS-W40

Product line : W40 NEMA Premium Efficiency Three-Phase Product code : 14284796
 Catalog # : 10018OT3G404TS-W40



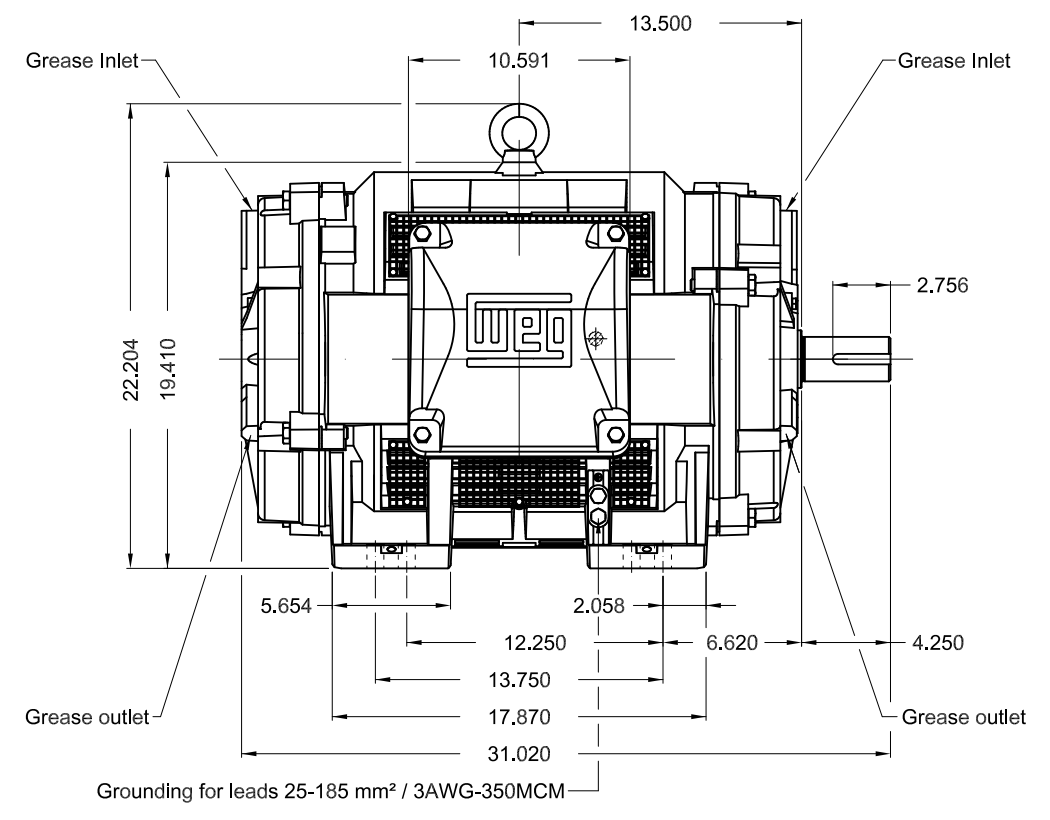
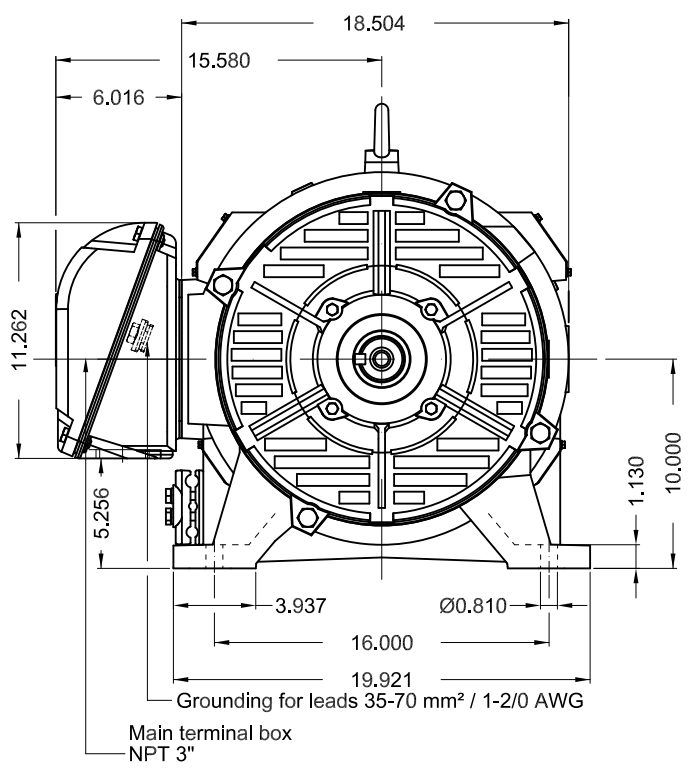
Performance : 460 V 60 Hz 4P

Rated current : 115 A	Moment of inertia (J) : 21.9 sq.ft.lb
LRC : 6.8	Duty cycle : Cont.(S1)
Rated torque : 291 ft.lb	Insulation class : F
Locked rotor torque : 200 %	Service factor : 1.25
Breakdown torque : 250 %	Temperature rise : 80 K
Rated speed : 1780 rpm	Design : B

Rev.	Changes Summary	Performed	Checked	Date
Performed by			Page	Revision
Checked by				
Date				

Dimensões em polegada
Dimensions in inches

THIS IS AN UPDATED REVISION, THE
PREVIOUS ONE MUST BE DISREGARDED.



TS shaft end									
Shaft material – SAE/ABNT 1040/45									
Color RAL 5009									
Painting plan 203A									
Mounting B3R(D)									
					SCALE	1:9			
ECM	LOC	SUMMARY OF MODIFICATIONS			EXECUTED	CHECKED	RELEASED	DATE	VER
EXECUTED	USERADMIN	THREE PHASE W40 MOTOR NEMA PREMIUM EFF							
CHECKED		FRAME 404/5TS IP23 ODP							
RELEASED		WEG code: 14284796							
REL DT	15.04.2019	WMO	Jaragua do Sul	Product Engineering	SHEET	1 / 1			

100 HP 04 Poles 60Hz

A

