

DATA SHEET



Three Phase Induction Motor - Squirrel Cage

Customer : Dealers Industrial Equipment 800-469-3110
 Customer reference : 10018OT3E404TSCF2-W4

Product line : W40 NEMA Premium Efficiency Three-Phase Product code : 14284792
 Catalog # : 10018OT3E404TSCF2-W4

Frame	: 404/5TSC	Locked rotor time	: 21s (cold) 12s (hot)
Output	: 100 HP (75 kW)	Temperature rise	: 80 K
Poles	: 4	Duty cycle	: Cont.(S1)
Frequency	: 60 Hz	Ambient temperature	: -20°C to +40°C
Rated voltage	: 208-230/460 V	Altitude	: 1000 m.a.s.l.
Rated current	: 254-230/115 A	Protection degree	: IP23
L. R. Amperes	: 1729-1564/782 A	Cooling method	: IC01 - ODP
LRC	: 6.8x(Code G)	Mounting	: F-2
No load current	: 68.5-79.4/39.7 A	Rotation ¹	: Both (CW and CCW)
Rated speed	: 1780 rpm	Noise level ²	: 69.0 dB(A)
Slip	: 1.11 %	Starting method	: Direct On Line
Rated torque	: 291 ft.lb	Approx. weight ³	: 966 lb
Locked rotor torque	: 200 %		
Breakdown torque	: 250 %		
Insulation class	: F		
Service factor	: 1.25		
Moment of inertia (J)	: 21.9 sq.ft.lb		
Design	: B		

Output	25%	50%	75%	100%	Foundation loads	
Efficiency (%)	94.9	95.0	95.4	95.4	Max. traction	: 1903 lb
Power Factor	0.49	0.75	0.83	0.86	Max. compression	: 2869 lb

	Drive end	Non drive end
Bearing type	: 6314 C3	6212 Z C3
Sealing	: Without Bearing Seal	Without Bearing Seal
Lubrication interval	: 20000 h	20000 h
Lubricant amount	: 27 g	13 g
Lubricant type	: Mobil Polyrex EM	

Notes
 downloaded from <http://dealerselectric.com>

This revision replaces and cancel the previous one, which must be eliminated.

- (1) Looking the motor from the shaft end.
- (2) Measured at 1m and with tolerance of +3dB(A).
- (3) Approximate weight subject to changes after manufacturing process.
- (4) At 100% of full load.

These are average values based on tests with sinusoidal power supply, subject to the tolerances stipulated in NEMA MG-1.

Rev.	Changes Summary	Performed	Checked	Date
Performed by		Page		Revision
Checked by		1 / 2		
Date	15/04/2019			

LOAD PERFORMANCE CURVE

Three Phase Induction Motor - Squirrel Cage

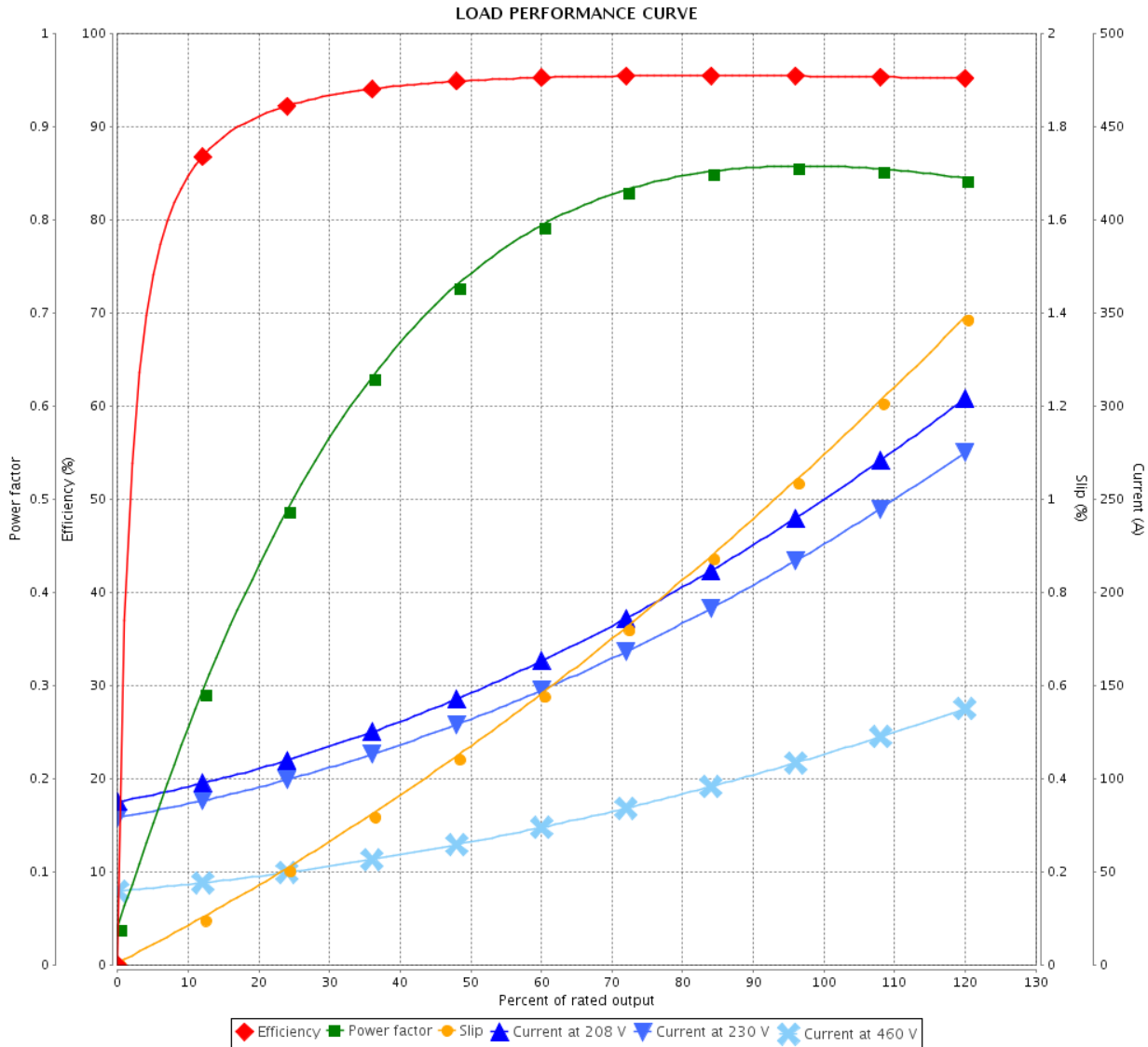


Customer : Dealers Industrial Equipment 800-469-3110
 Customer reference : 10018OT3E404TSCF2-W4

Product line : W40 NEMA Premium Efficiency Three-Phase

Product code : 14284792

Catalog # : 10018OT3E404TSCF2-W4



Performance : 208-230/460 V 60 Hz 4P

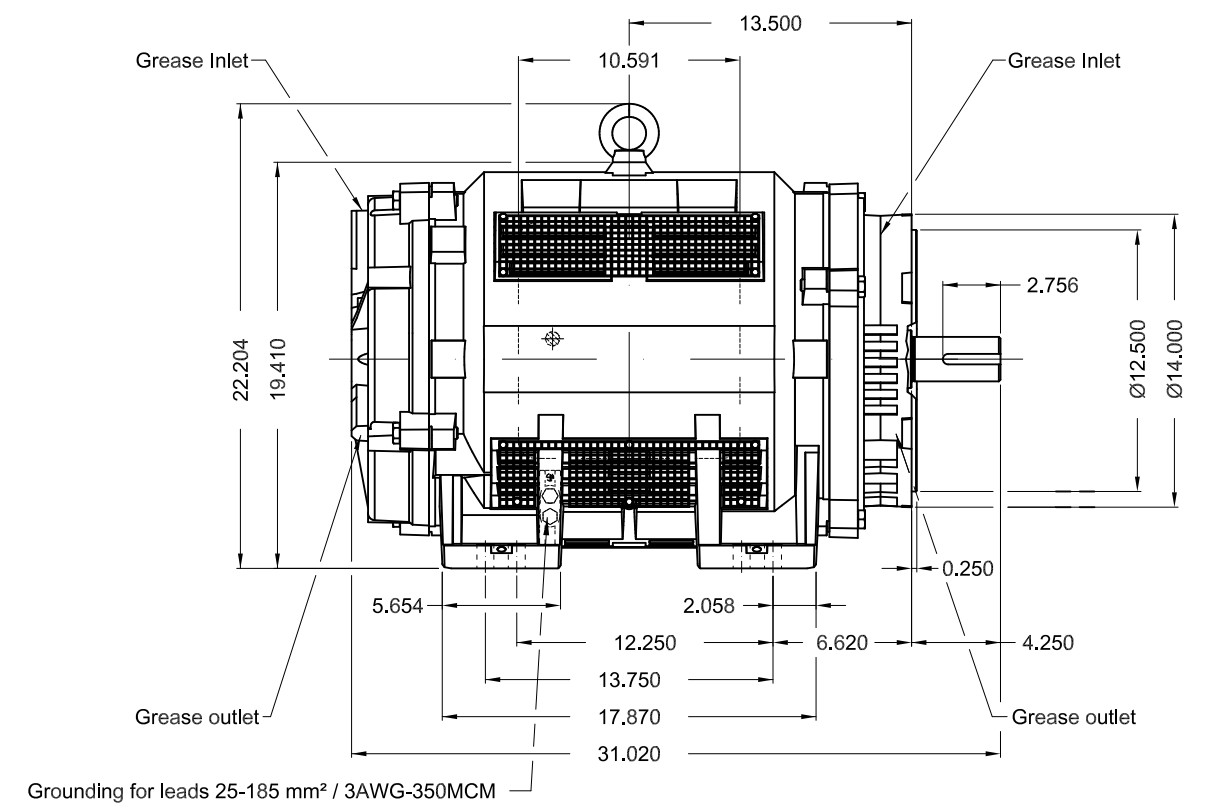
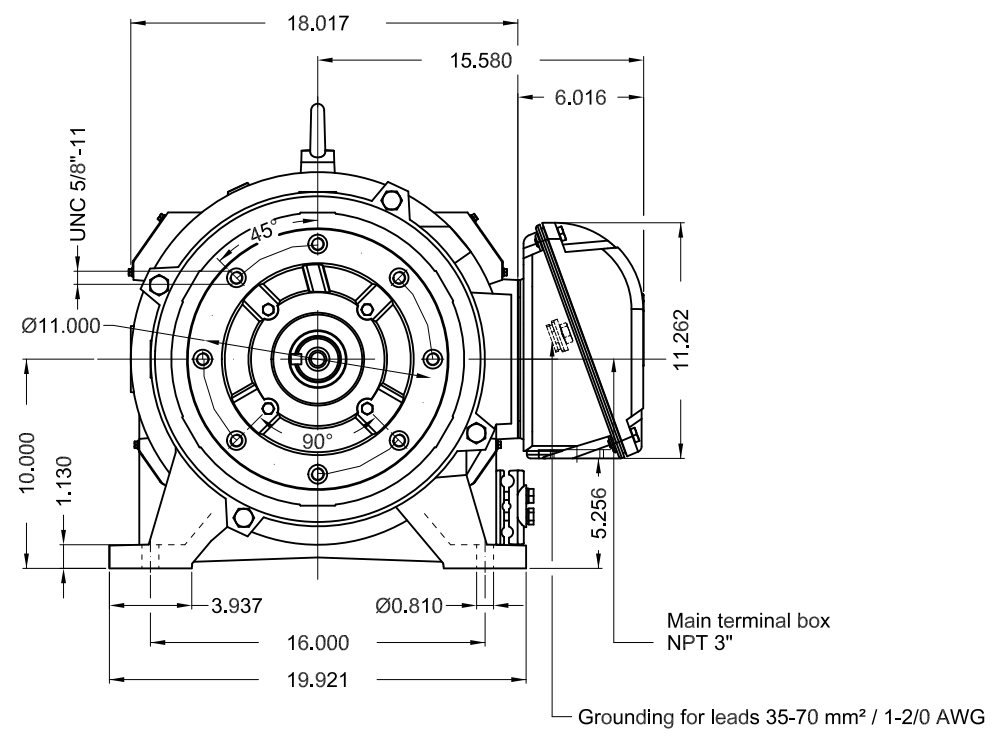
Rated current : 254-230/115 A
 LRC : 6.8
 Rated torque : 291 ft.lb
 Locked rotor torque : 200 %
 Breakdown torque : 250 %
 Rated speed : 1780 rpm

Moment of inertia (J) : 21.9 sq.ft.lb
 Duty cycle : Cont.(S1)
 Insulation class : F
 Service factor : 1.25
 Temperature rise : 80 K
 Design : B

Rev.	Changes Summary	Performed	Checked	Date
Performed by			Page	Revision
Checked by				
Date				

Dimensões em polegada
Dimensions in inches

THIS IS AN UPDATED REVISION, THE
PREVIOUS ONE MUST BE DISREGARDED.



TS shaft end
 Shaft material – SAE/ABNT 1040/45
 Color RAL 5009
 Painting plan 203A
 Mounting B34L(E)

					SCALE	1:9	
ECM	LOC	SUMMARY OF MODIFICATIONS	EXECUTED	CHECKED	RELEASED	DATE	VER
EXECUTED	USERADMIN	THREE PHASE W40 MOTOR NEMA PREMIUM EFF					
CHECKED		FRAME 404/5TSC IP23 ODP					
RELEASED		WEG code: 14284792					
REL DT	15.04.2019	WMO Jaragua do Sul	Product Engineering	SHEET	1 / 1		

100 HP 04 Poles 60Hz

A

