

DATA SHEET



Three Phase Induction Motor - Squirrel Cage

Customer	: Dealers Industrial Equipment 800-469-3110					
Customer reference	: 10012OT3E444T-W40					
Product line	: W40 NEMA Premium Efficiency Three-Phase		Product code :	14284557		
			Catalog # :	10012OT3E444T-W40		
Frame	: 444/5T		Locked rotor time	: 23s (cold) 13s (hot)		
Output	: 100 HP (75 kW)		Temperature rise	: 80 K		
Poles	: 6		Duty cycle	: Cont.(S1)		
Frequency	: 60 Hz		Ambient temperature	: -20°C to +40°C		
Rated voltage	: 208-230/460 V		Altitude	: 1000 m.a.s.l.		
Rated current	: 281-254/127 A		Protection degree	: IP23		
L. R. Amperes	: 1713-1549/775 A		Cooling method	: IC01 - ODP		
LRC	: 6.1x(Code G)		Mounting	: F-1		
No load current	: 97.4-113/56.5 A		Rotation ¹	: Both (CW and CCW)		
Rated speed	: 1190 rpm		Noise level ²	: 69.0 dB(A)		
Slip	: 0.83 %		Starting method	: Direct On Line		
Rated torque	: 435 ft.lb		Approx. weight ³	: 1347 lb		
Locked rotor torque	: 200 %					
Breakdown torque	: 250 %					
Insulation class	: F					
Service factor	: 1.25					
Moment of inertia (J)	: 60.6 sq.ft.lb					
Design	: B					
Output	25%	50%	75%	100%		
Efficiency (%)	94.4	94.5	95.0	95.0		
Power Factor	0.37	0.61	0.71	0.78		
	Foundation loads					
	Max. traction : 2402 lb					
	Max. compression : 3749 lb					
	<u>Drive end</u>		<u>Non drive end</u>			
Bearing type	: 6319 C3		: 6314 C3			
Sealing	: Without Bearing Seal		: Without Bearing Seal			
Lubrication interval	: 20000 h		: 20000 h			
Lubricant amount	: 45 g		: 27 g			
Lubricant type	: Mobil Polyrex EM					
Notes downloaded from http://dealerselectric.com						
This revision replaces and cancel the previous one, which must be eliminated. (1) Looking the motor from the shaft end. (2) Measured at 1m and with tolerance of +3dB(A). (3) Approximate weight subject to changes after manufacturing process. (4) At 100% of full load.			These are average values based on tests with sinusoidal power supply, subject to the tolerances stipulated in NEMA MG-1.			
Rev.	Changes Summary			Performed	Checked	Date
Performed by						
Checked by					Page	Revision
Date	14/04/2019				1 / 2	

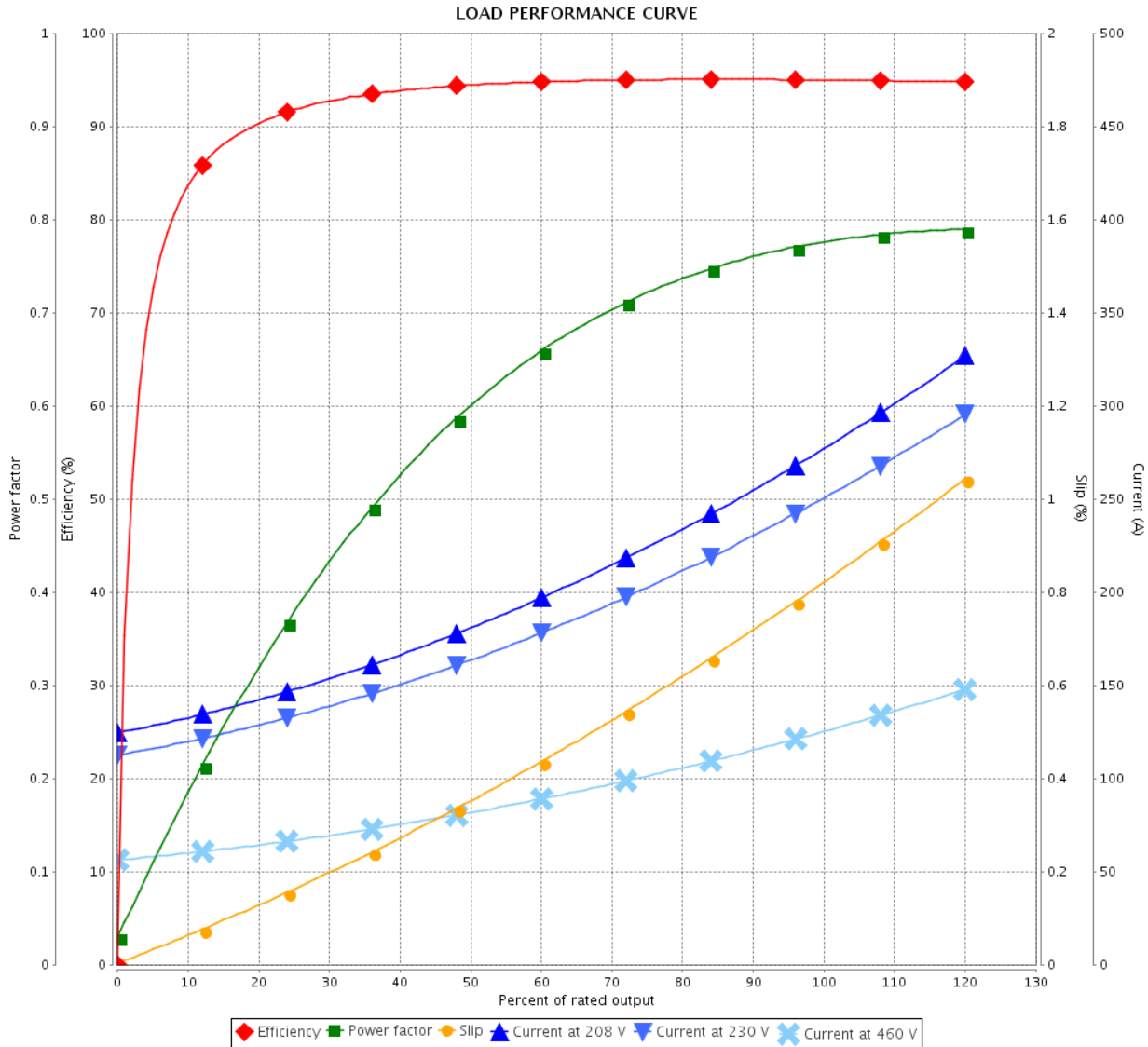
LOAD PERFORMANCE CURVE



Three Phase Induction Motor - Squirrel Cage

Customer : Dealers Industrial Equipment 800-469-3110
 Customer reference : 10012OT3E444T-W40

Product line : W40 NEMA Premium Efficiency Three-Phase Product code : 14284557
 Catalog # : 10012OT3E444T-W40



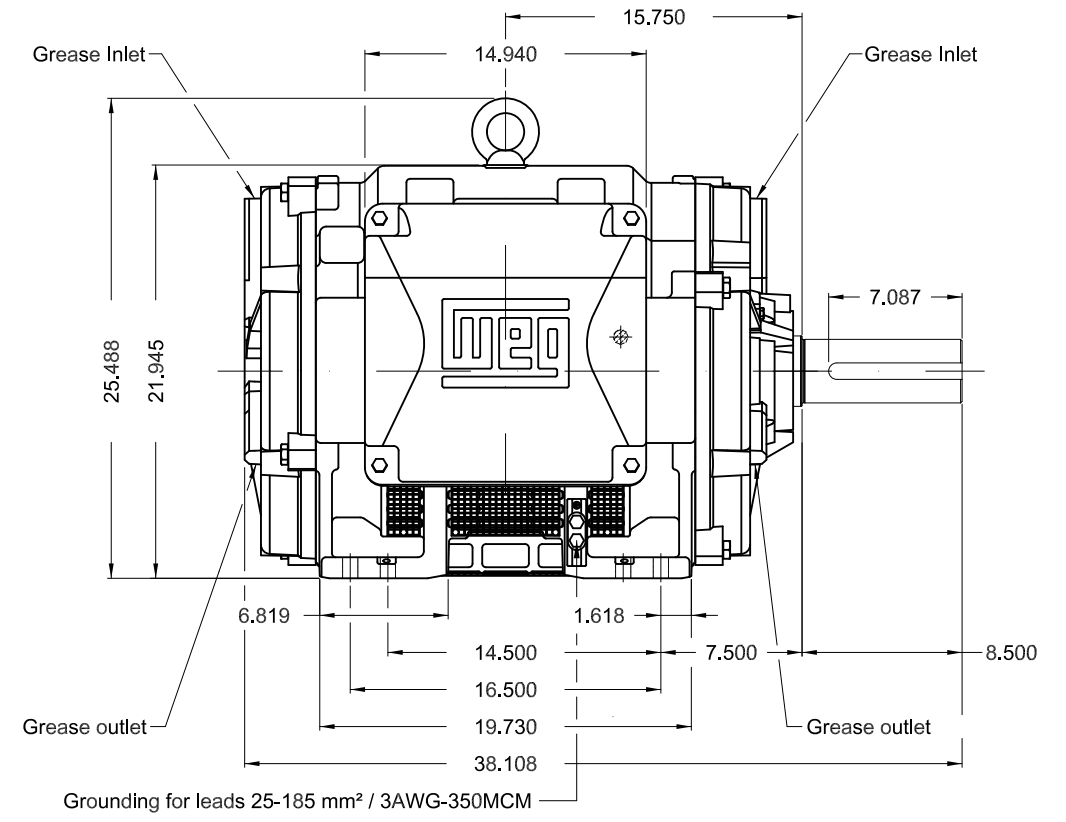
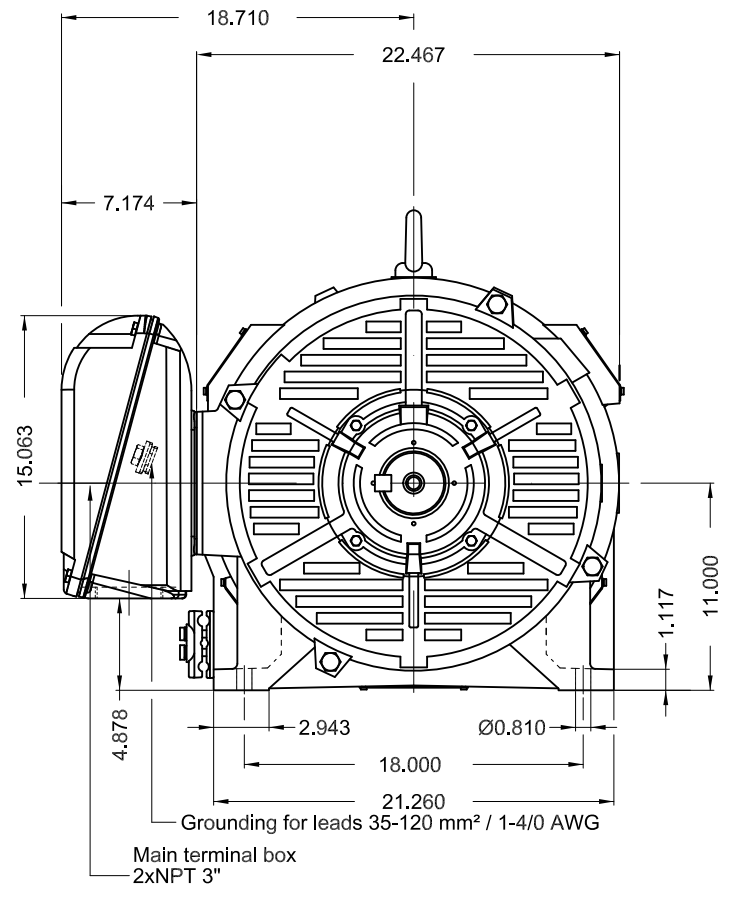
Performance : 208-230/460 V 60 Hz 6P

Rated current : 281-254/127 A	Moment of inertia (J) : 60.6 sq.ft.lb
LRC : 6.1	Duty cycle : Cont.(S1)
Rated torque : 435 ft.lb	Insulation class : F
Locked rotor torque : 200 %	Service factor : 1.25
Breakdown torque : 250 %	Temperature rise : 80 K
Rated speed : 1190 rpm	Design : B

Rev.	Changes Summary	Performed	Checked	Date
Performed by			Page	Revision
Checked by				
Date				

Dimensões em polegada
Dimensions in inches

THIS IS AN UPDATED REVISION, THE
PREVIOUS ONE MUST BE DISREGARDED.



C3 NDE bearing						SCALE		1:10		
Color RAL 5009										
Painting plan 203A										
Mounting B3R(D)										
ECM		LOC		SUMMARY OF MODIFICATIONS		EXECUTED	CHECKED	RELEASED	DATE	VER
EXECUTED		USERADMIN		THREE PHASE W40 MOTOR NEMA PREMIUM EFF						
CHECKED				FRAME 444/5T IP23 ODP						
RELEASED				WEG code: 14284557						
REL DT		14.04.2019		WMO Jaragua do Sul		Product Engineering	SHEET	1 / 1		

100 HP 06 Poles 60Hz

A

