

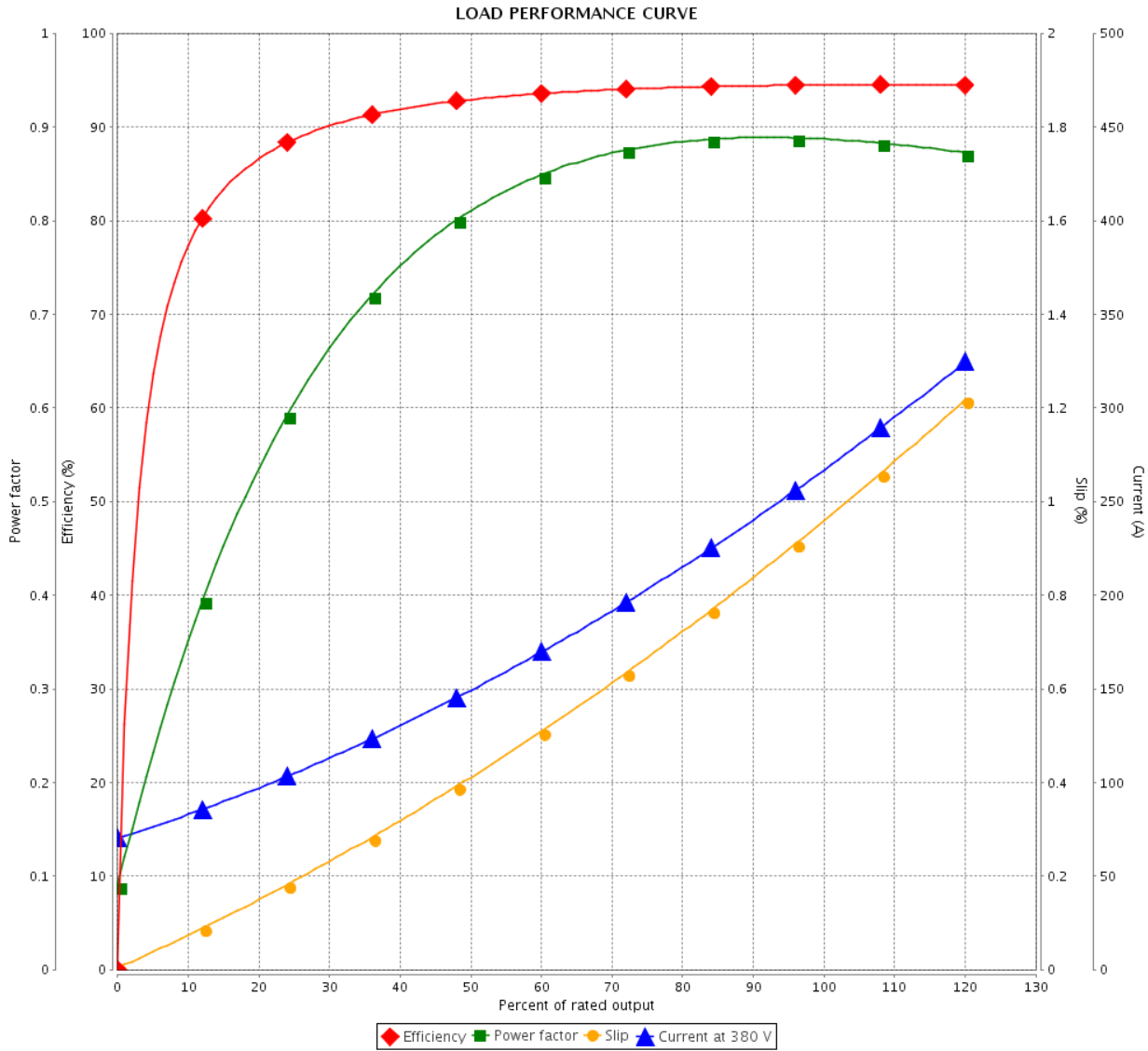
LOAD PERFORMANCE CURVE



Three Phase Induction Motor - Squirrel Cage

Customer : Dealers Industrial Equipment 800-469-3110
 Customer reference : 20036OP3JFP444TS-W40

Product line : W40 High Efficiency Three-Phase Product code : 14282970
 Catalog # : 20036OP3JFP444TS-W40



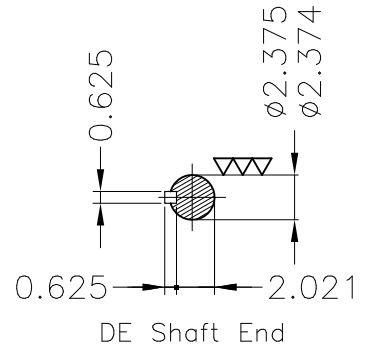
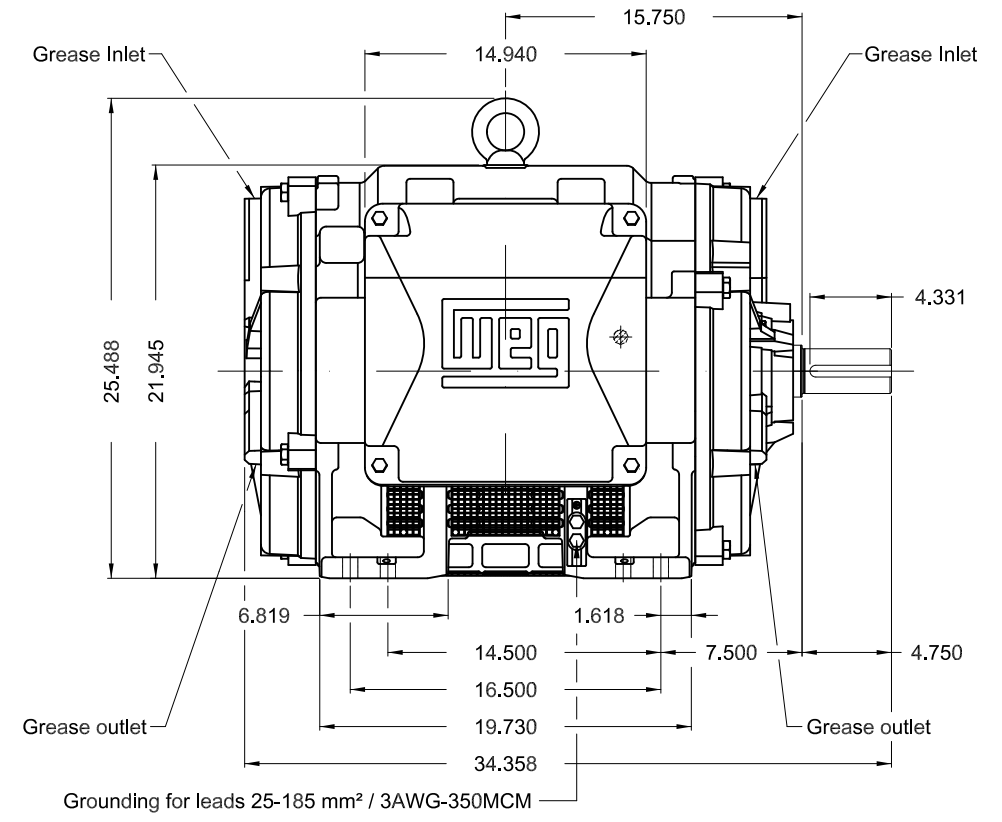
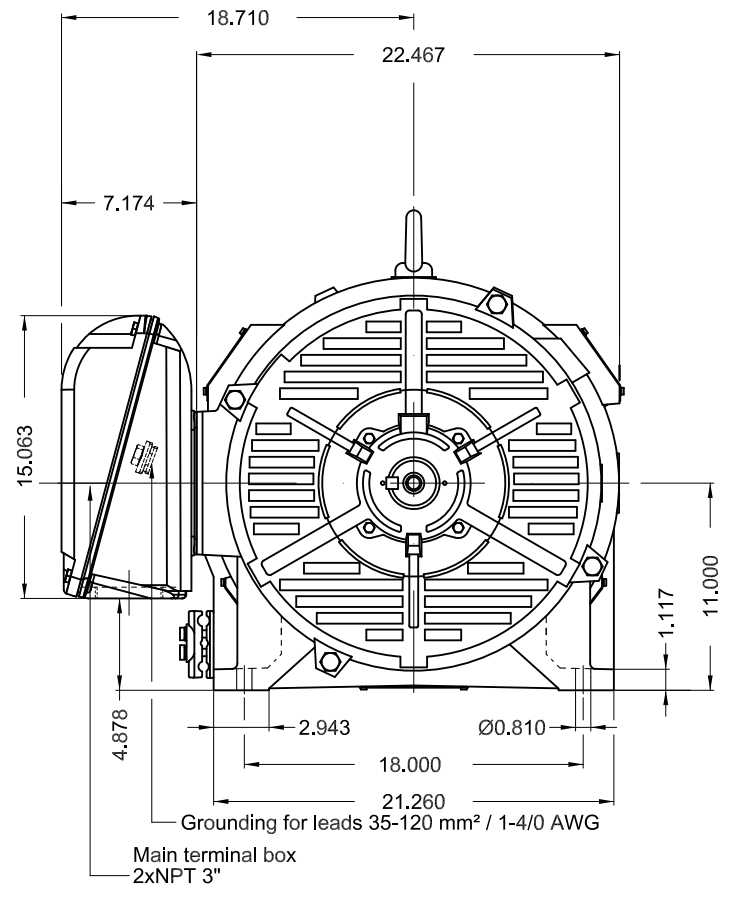
Performance : 380 V 60 Hz 2P

Rated current : 271 A	Moment of inertia (J) : 21.8 sq.ft.lb
LRC : 5.8	Duty cycle : Cont.(S1)
Rated torque : 291 ft.lb	Insulation class : F
Locked rotor torque : 140 %	Service factor : 1.15
Breakdown torque : 210 %	Temperature rise : 105 K
Rated speed : 3565 rpm	Design : B

Rev.	Changes Summary	Performed	Checked	Date
Performed by			Page 2 / 2	Revision
Checked by				
Date	16/04/2019			

Dimensões em polegada
Dimensions in inches

THIS IS AN UPDATED REVISION, THE
PREVIOUS ONE MUST BE DISREGARDED.



Color RAL 3002									
Painting plan 203A									
Mounting B3R(D)									
					SCALE	1:10			
ECM	LOC	SUMMARY OF MODIFICATIONS			EXECUTED	CHECKED	RELEASED	DATE	VER
EXECUTED	USERADMIN	THREE PHASE W40 MOTOR HIGH EFF							
CHECKED		FRAME 444/5TS IP23 ODP							
RELEASED		WEG code: 14282970							
REL DT	16.04.2019	WMO	Jaragua do Sul	Product Engineering	SHEET	1 / 1			

200 HP 02 Poles 60Hz

A

