

DATA SHEET



Three Phase Induction Motor - Squirrel Cage

Customer		: Dealers Industrial Equipment 800-469-3110			
Customer reference		: 20036OP3GFP444TS-W40			
Product line		: W40 High Efficiency Three-Phase		Product code : 14282934	
				Catalog # : 20036OP3GFP444TS-W40	
Frame		: 444/5TS		Locked rotor time	
Output		: 200 HP (150 kW)		: 48s (cold) 27s (hot)	
Poles		: 2		Temperature rise	
Frequency		: 60 Hz		: 105 K	
Rated voltage		: 460 V		Duty cycle	
Rated current		: 224 A		: Cont.(S1)	
L. R. Amperes		: 1299 A		Ambient temperature	
LRC		: 5.8x(Code F)		: -20°C to +40°C	
No load current		: 58.2 A		Altitude	
Rated speed		: 3565 rpm		: 1000 m.a.s.l.	
Slip		: 0.97 %		Protection degree	
Rated torque		: 291 ft.lb		: IP23	
Locked rotor torque		: 140 %		Cooling method	
Breakdown torque		: 210 %		: IC01 - ODP	
Insulation class		: F		Mounting	
Service factor		: 1.15		: F-1	
Moment of inertia (J)		: 21.8 sq.ft.lb		Rotation ¹	
Design		: B		: Both (CW and CCW)	
Starting method		: Direct On Line			
Approx. weight ³		: 1273 lb			
Output		25%	50%	75%	100%
Efficiency (%)		92.5	93.0	94.1	94.5
Power Factor		0.58	0.82	0.87	0.89
Foundation loads		Max. traction : 1252 lb			
		Max. compression : 2525 lb			
		<u>Drive end</u>		<u>Non drive end</u>	
Bearing type		: 6314 C3		: 6212 Z C3	
Sealing		: Without Bearing Seal		: Without Bearing Seal	
Lubrication interval		: 14418 h		: 20000 h	
Lubricant amount		: 27 g		: 13 g	
Lubricant type		: Mobil Polyrex EM			
Notes downloaded from http://dealerselectric.com					
This revision replaces and cancel the previous one, which must be eliminated. (1) Looking the motor from the shaft end. (2) Measured at 1m and with tolerance of +3dB(A). (3) Approximate weight subject to changes after manufacturing process. (4) At 100% of full load.			These are average values based on tests with sinusoidal power supply, subject to the tolerances stipulated in NEMA MG-1.		
Rev.	Changes Summary			Performed	Checked
Performed by					
Checked by				Page	Revision
Date	16/04/2019			1 / 2	

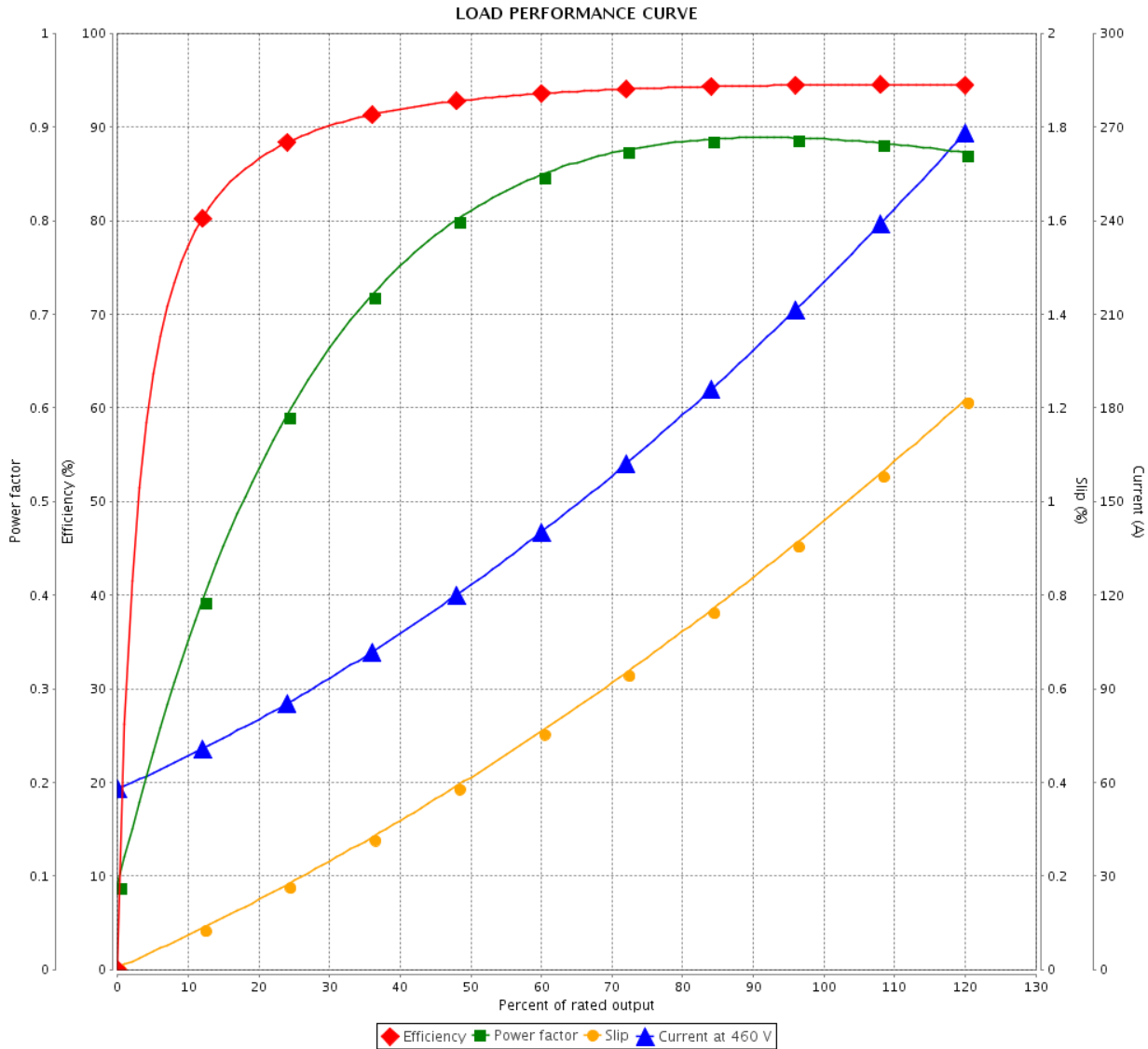
LOAD PERFORMANCE CURVE



Three Phase Induction Motor - Squirrel Cage

Customer : Dealers Industrial Equipment 800-469-3110
 Customer reference : 20036OP3GFP444TS-W40

Product line : W40 High Efficiency Three-Phase Product code : 14282934
 Catalog # : 20036OP3GFP444TS-W40



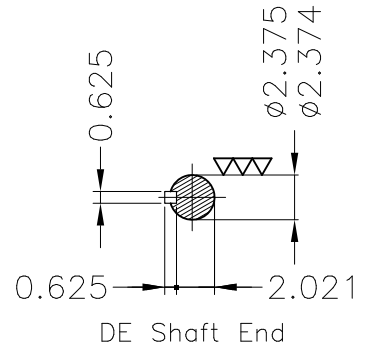
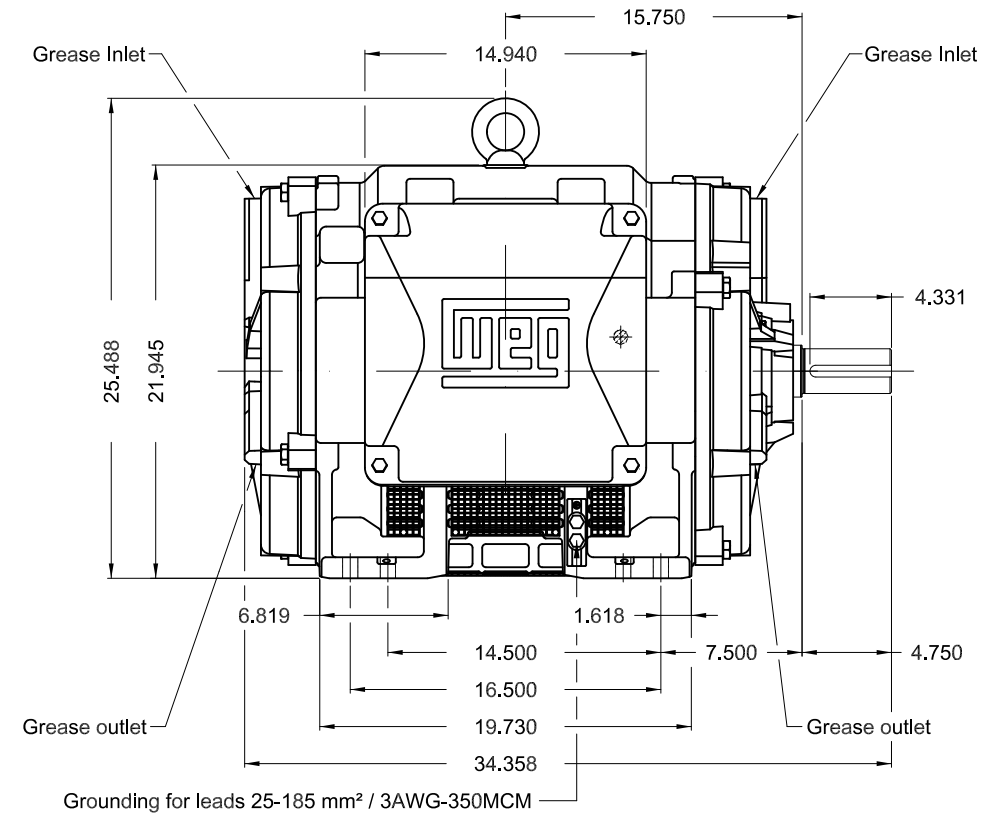
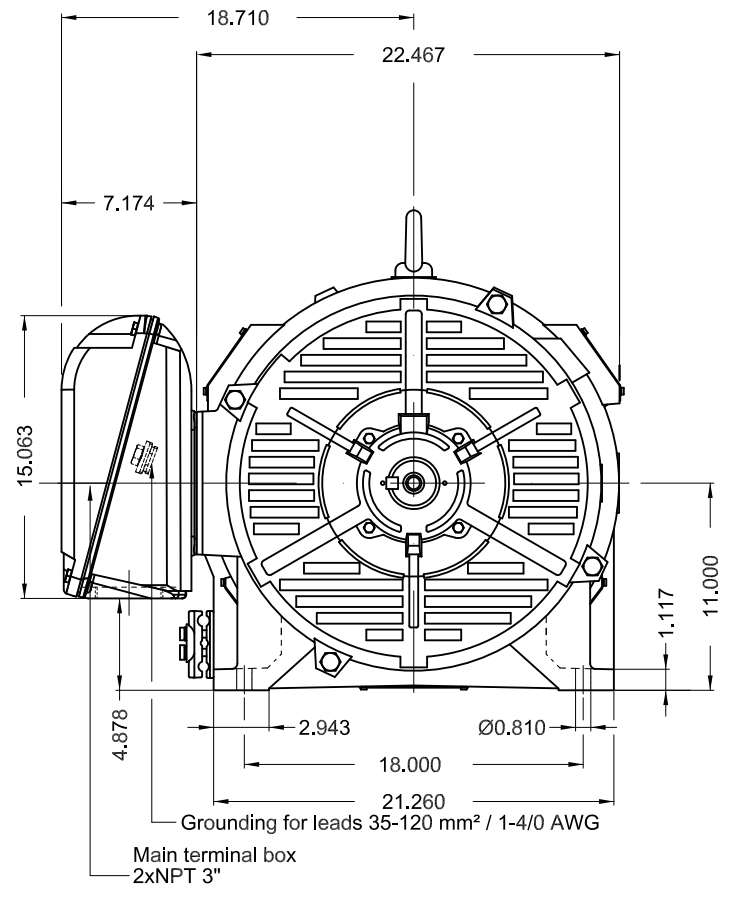
Performance : 460 V 60 Hz 2P

Rated current : 224 A	Moment of inertia (J) : 21.8 sq.ft.lb
LRC : 5.8	Duty cycle : Cont.(S1)
Rated torque : 291 ft.lb	Insulation class : F
Locked rotor torque : 140 %	Service factor : 1.15
Breakdown torque : 210 %	Temperature rise : 105 K
Rated speed : 3565 rpm	Design : B

Rev.	Changes Summary	Performed	Checked	Date
Performed by			Page 2 / 2	Revision
Checked by				
Date	16/04/2019			

Dimensões em polegada
Dimensions in inches

THIS IS AN UPDATED REVISION, THE
PREVIOUS ONE MUST BE DISREGARDED.



Color RAL 3002						
Painting plan 203A						
Mounting B3R(D)						
					SCALE	1:10
ECM	LOC	SUMMARY OF MODIFICATIONS			EXECUTED	CHECKED
EXECUTED	USERADMIN	THREE PHASE W40 MOTOR HIGH EFF				
CHECKED		FRAME 444/5TS IP23 ODP				
RELEASED		WEG code: 14282934				
REL DT	16.04.2019	WMO	Jaragua do Sul	Product Engineering	SHEET	1 / 1

200 HP 02 Poles 60Hz

A

