

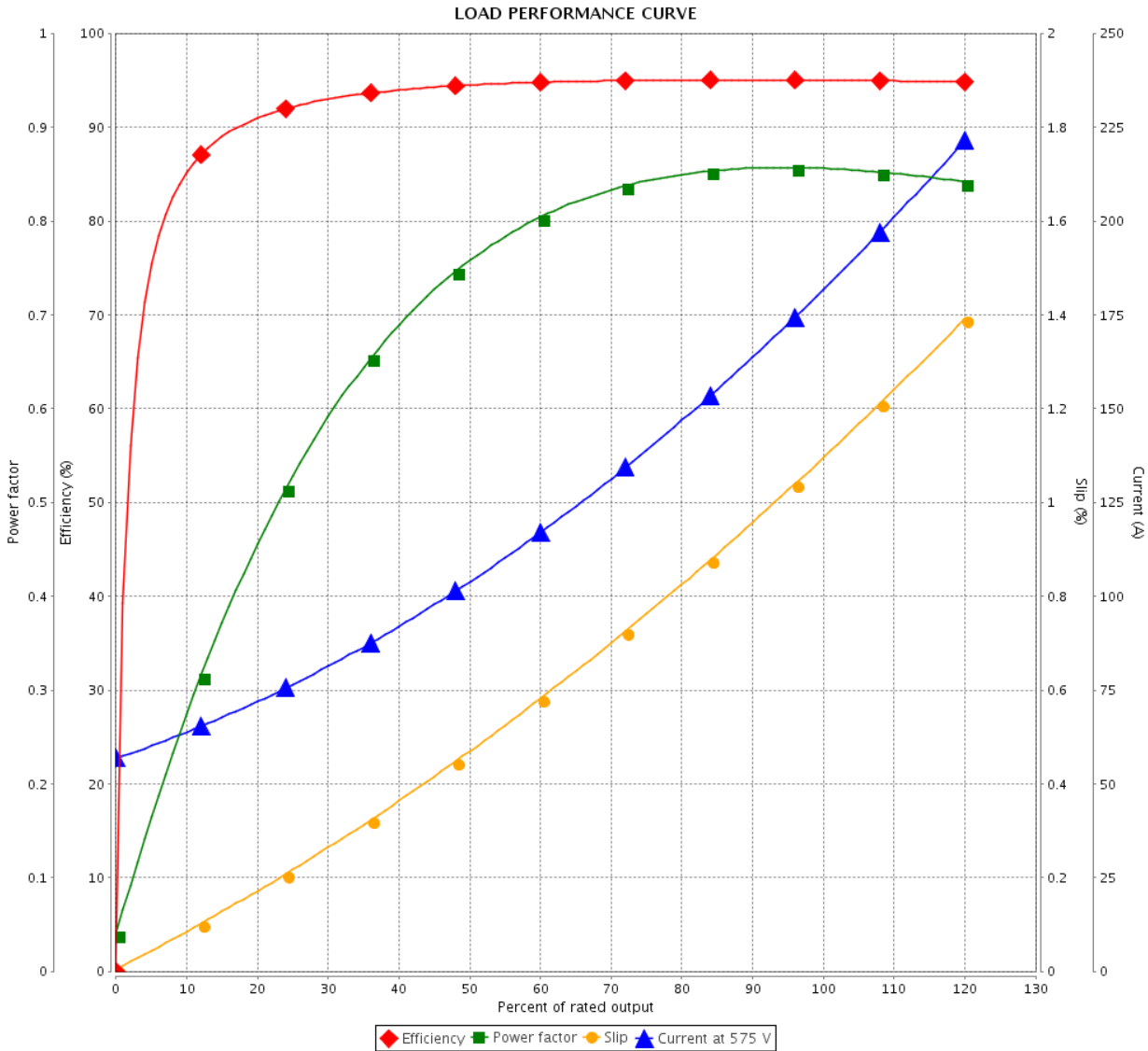
LOAD PERFORMANCE CURVE



Three Phase Induction Motor - Squirrel Cage

Customer : Dealers Industrial Equipment 800-469-3110
 Customer reference : 20018OP3HFP445TS-W40

Product line : W40 High Efficiency Three-Phase Product code : 14282928
 Catalog # : 20018OP3HFP445TS-W40



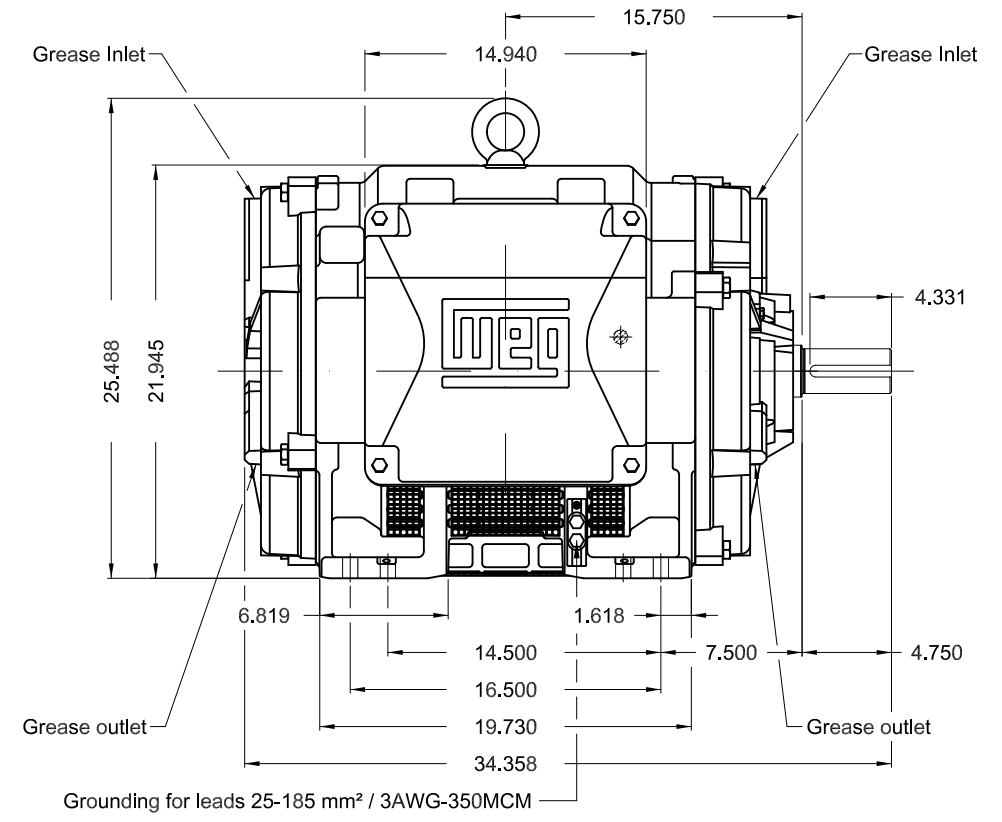
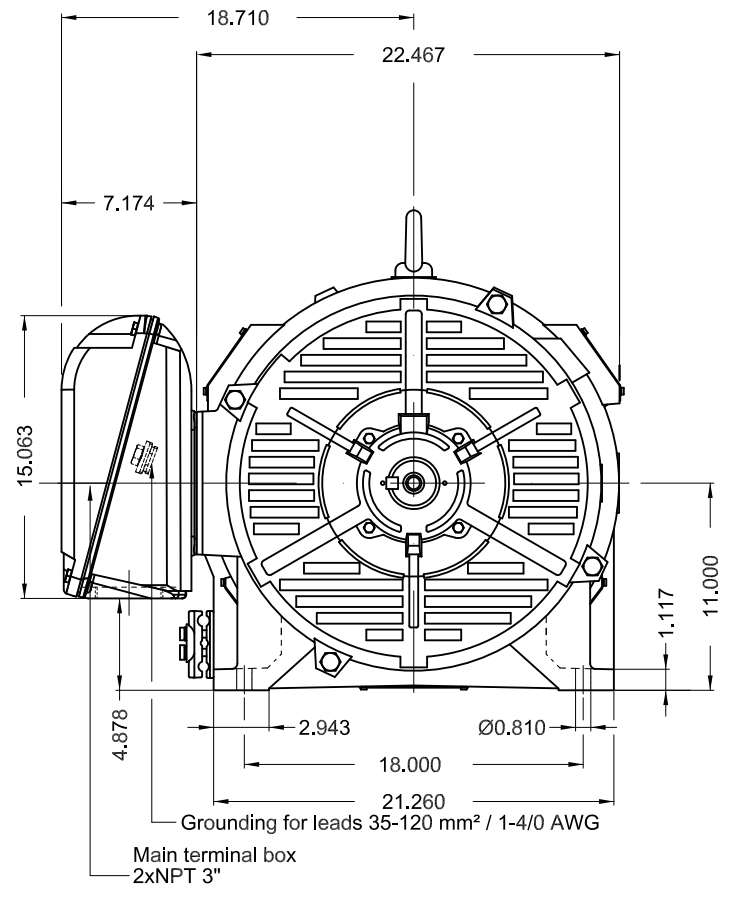
Performance : 575 V 60 Hz 4P

| | |
|-----------------------------|---------------------------------------|
| Rated current : 184 A | Moment of inertia (J) : 42.3 sq.ft.lb |
| LRC : 6.2 | Duty cycle : Cont.(S1) |
| Rated torque : 582 ft.lb | Insulation class : F |
| Locked rotor torque : 180 % | Service factor : 1.15 |
| Breakdown torque : 210 % | Temperature rise : 105 K |
| Rated speed : 1780 rpm | Design : B |

| Rev. | Changes Summary | Performed | Checked | Date |
|--------------|-----------------|-----------|---------------|----------|
| | | | | |
| Performed by | | | Page 2 / 2 | Revision |
| Checked by | | | | |
| Date | 16/04/2019 | | | |

Dimensões em polegada
Dimensions in inches

THIS IS AN UPDATED REVISION, THE
PREVIOUS ONE MUST BE DISREGARDED.



| | | | | | | |
|-----------------------------------|------------|--------------------------------|----------------|---------------------|----------|---------|
| TS shaft end | | | | | | |
| Shaft material – SAE/ABNT 1040/45 | | | | | | |
| Color RAL 3002 | | | | | | |
| Painting plan 203A | | | | | | |
| Mounting B3R(D) | | | | | | |
| | | | | | SCALE | 1:10 |
| ECM | LOC | SUMMARY OF MODIFICATIONS | | | EXECUTED | CHECKED |
| EXECUTED | USERADMIN | THREE PHASE W40 MOTOR HIGH EFF | | | | |
| CHECKED | | FRAME 444/5TS IP23 ODP | | | | |
| RELEASED | | WEG code: 14282928 | | | | |
| REL DT | 16.04.2019 | WMO | Jaragua do Sul | Product Engineering | SHEET | 1 / 1 |

200 HP 04 Poles 60Hz

A

