

DATA SHEET



Three Phase Induction Motor - Squirrel Cage

Customer : Dealers Industrial Equipment 800-469-3110
 Customer reference : 15018OP3EFP444TS-W40

Product line : W40 High Efficiency Three-Phase Product code : 14282777
 Catalog # : 15018OP3EFP444TS-W40

Frame	: 444/5TS	Locked rotor time	: 36s (cold) 20s (hot)
Output	: 150 HP (110 kW)	Temperature rise	: 80 K
Poles	: 4	Duty cycle	: Cont.(S1)
Frequency	: 60 Hz	Ambient temperature	: -20°C to +40°C
Rated voltage	: 208-230/460 V	Altitude	: 1000 m.a.s.l.
Rated current	: 374-338/169 A	Protection degree	: IP23
L. R. Amperes	: 2392-2163/1082 A	Cooling method	: IC01 - ODP
LRC	: 6.4x(Code G)	Mounting	: F-1
No load current	: 80.2-93.0/46.5 A	Rotation ¹	: Both (CW and CCW)
Rated speed	: 1780 rpm	Starting method	: Direct On Line
Slip	: 1.11 %	Approx. weight ³	: 1286 lb
Rated torque	: 437 ft.lb		
Locked rotor torque	: 190 %		
Breakdown torque	: 200 %		
Insulation class	: F		
Service factor	: 1.15		
Moment of inertia (J)	: 42.3 sq.ft.lb		
Design	: B		

Output	25%	50%	75%	100%	Foundation loads	
Efficiency (%)	94.4	94.5	95.0	95.0	Max. traction	: 2336 lb
Power Factor	0.54	0.77	0.84	0.86	Max. compression	: 3622 lb

	Drive end	Non drive end
Bearing type	: 6314 C3	6212 Z C3
Sealing	: Without Bearing Seal	Without Bearing Seal
Lubrication interval	: 20000 h	20000 h
Lubricant amount	: 27 g	13 g
Lubricant type	: Mobil Polyrex EM	

Notes
 downloaded from <http://dealerselectric.com>

This revision replaces and cancel the previous one, which must be eliminated.
 (1) Looking the motor from the shaft end.
 (2) Measured at 1m and with tolerance of +3dB(A).
 (3) Approximate weight subject to changes after manufacturing process.
 (4) At 100% of full load.

These are average values based on tests with sinusoidal power supply, subject to the tolerances stipulated in NEMA MG-1.

Rev.	Changes Summary	Performed	Checked	Date
Performed by			Page	Revision
Checked by			1 / 2	
Date	16/04/2019			

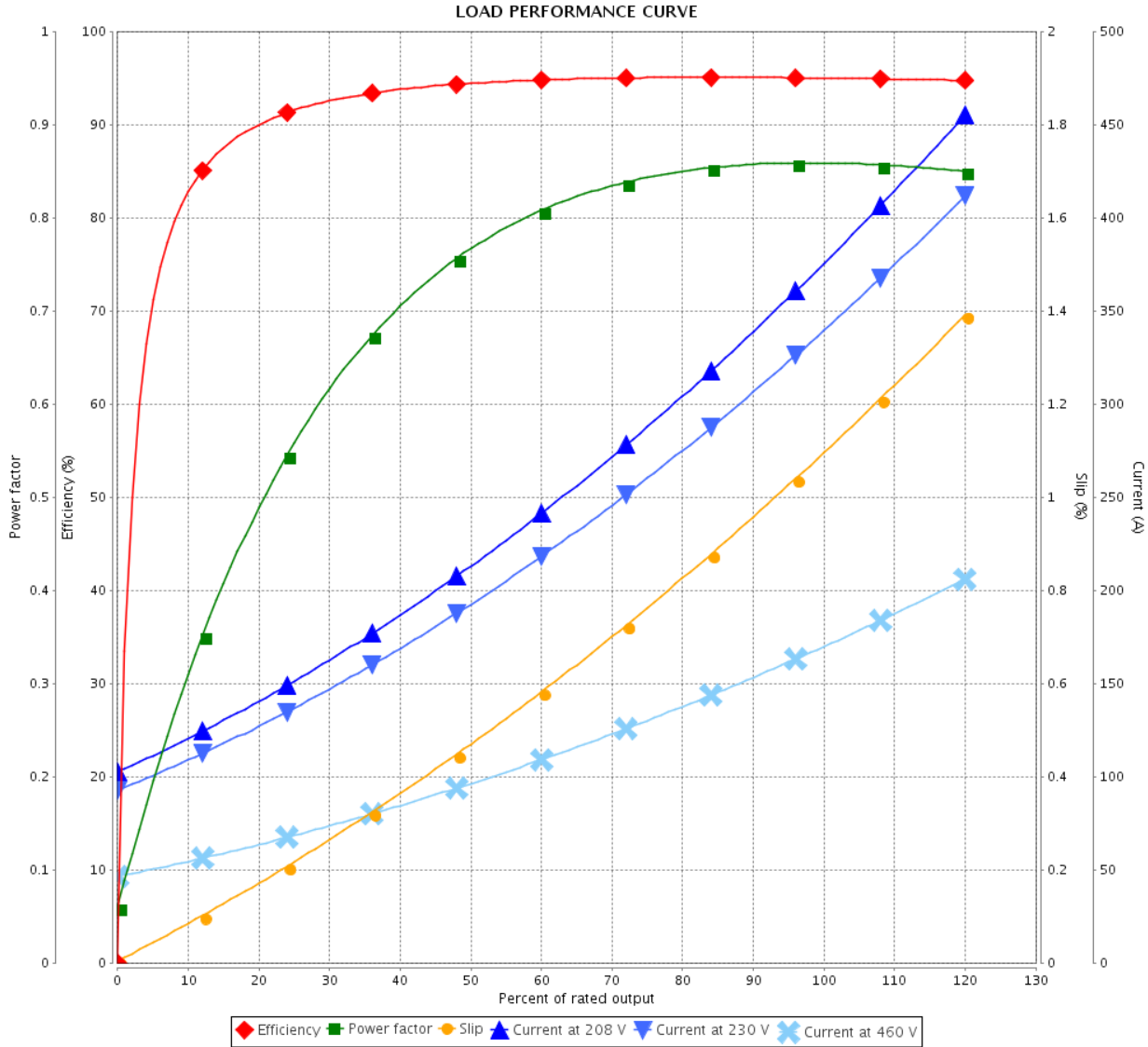
LOAD PERFORMANCE CURVE



Three Phase Induction Motor - Squirrel Cage

Customer : Dealers Industrial Equipment 800-469-3110
 Customer reference : 15018OP3EFP444TS-W40

Product line : W40 High Efficiency Three-Phase Product code : 14282777
 Catalog # : 15018OP3EFP444TS-W40



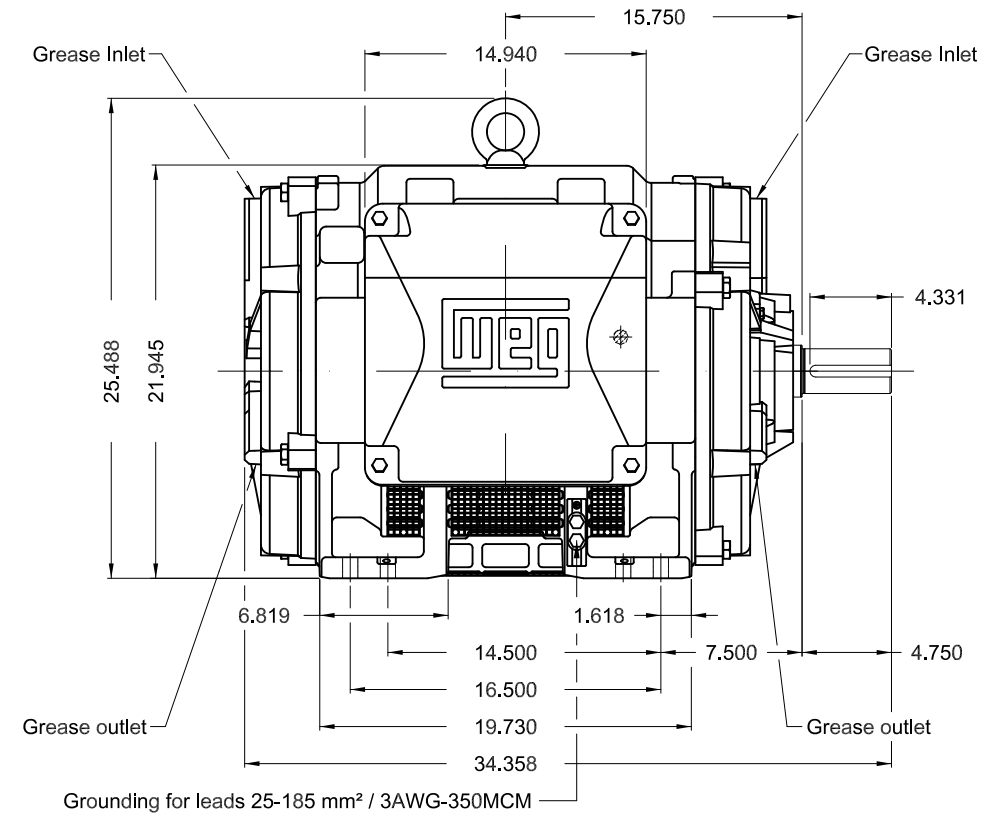
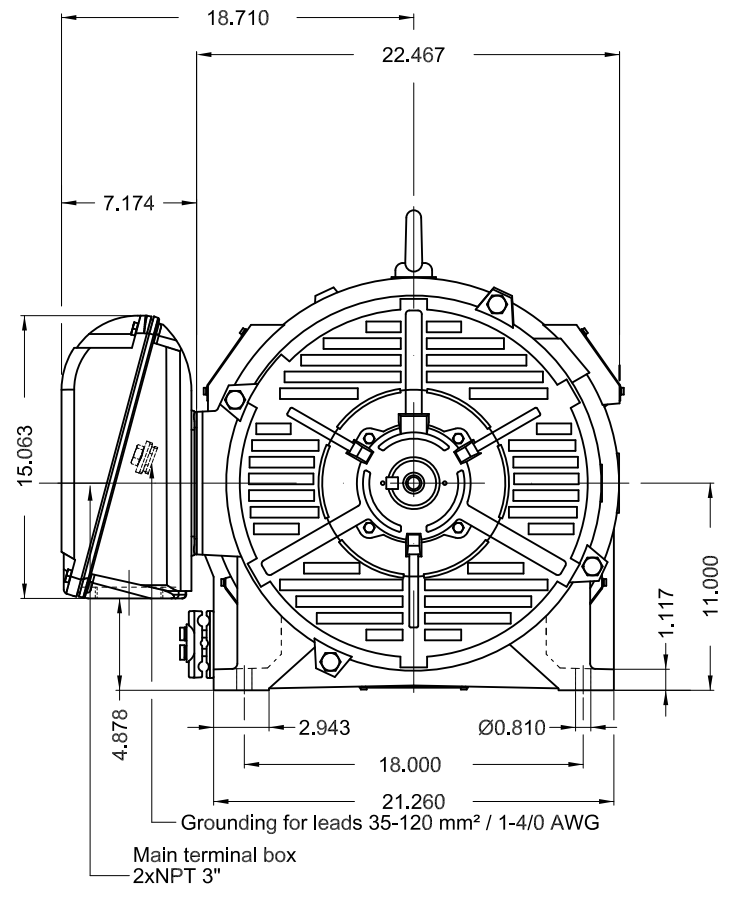
Performance : 208-230/460 V 60 Hz 4P

Rated current : 374-338/169 A	Moment of inertia (J) : 42.3 sq.ft.lb
LRC : 6.4	Duty cycle : Cont.(S1)
Rated torque : 437 ft.lb	Insulation class : F
Locked rotor torque : 190 %	Service factor : 1.15
Breakdown torque : 200 %	Temperature rise : 80 K
Rated speed : 1780 rpm	Design : B

Rev.	Changes Summary	Performed	Checked	Date
Performed by			Page 2 / 2	Revision
Checked by				
Date	16/04/2019			

Dimensões em polegada
Dimensions in inches

THIS IS AN UPDATED REVISION, THE
PREVIOUS ONE MUST BE DISREGARDED.



TS shaft end						
Shaft material – SAE/ABNT 1040/45						
Color RAL 3002						
Painting plan 203A						
Mounting B3R(D)						
					SCALE	1:10
ECM	LOC	SUMMARY OF MODIFICATIONS			EXECUTED	CHECKED
EXECUTED	USERADMIN	THREE PHASE W40 MOTOR HIGH EFF				
CHECKED		FRAME 444/5TS IP23 ODP				
RELEASED		WEG code: 14282777				
REL DT	16.04.2019	WMO	Jaragua do Sul	Product Engineering	SHEET	1 / 1

150 HP 04 Poles 60Hz

A

