

# DATA SHEET



## Three Phase Induction Motor - Squirrel Cage

Customer : Dealers Industrial Equipment 800-469-3110		Customer reference : 12536OP3GFP404TS-W40				
Product line : W40 High Efficiency Three-Phase		Product code : 14282768	Catalog # : 12536OP3GFP404TS-W40			
Frame : 404/5TS Output : 125 HP Poles : 2 Frequency : 60 Hz Rated voltage : 460 V Rated current : 137 A L. R. Amperes : 904 A LRC : 6.6x(Code G) No load current : 30.0 A Rated speed : 3545 rpm Slip : 1.53 % Rated torque : 183 ft.lb Locked rotor torque : 180 % Breakdown torque : 229 % Insulation class : F Service factor : 1.15 Moment of inertia (J) : 8.03 sq.ft.lb Design : B	Locked rotor time : 27s (cold) 15s (hot) Temperature rise : 105 K Duty cycle : Cont.(S1) Ambient temperature : -20°C to +40°C Altitude : 1000 m.a.s.l. Protection degree : IP23 Cooling method : IC01 - ODP Mounting : F-1 Rotation <sup>1</sup> : Both (CW and CCW) Noise level <sup>2</sup> : 84.0 dB(A) Starting method : Direct On Line Approx. weight <sup>3</sup> : 825 lb					
Output	25%	50%	75%	100%	Foundation loads	
Efficiency (%)	92.8	93.0	93.6	93.6	Max. traction : 993 lb	
Power Factor	0.60	0.80	0.86	0.88	Max. compression : 1818 lb	
		<u>Drive end</u>		<u>Non drive end</u>		
Bearing type	:	6314 C3		6212 Z C3		
Sealing	:	Without Bearing Seal		Without Bearing Seal		
Lubrication interval	:	14418 h		20000 h		
Lubricant amount	:	27 g		13 g		
Lubricant type	:	Mobil Polyrex EM				
Notes downloaded from <a href="http://dealerselectric.com">http://dealerselectric.com</a>						
This revision replaces and cancel the previous one, which must be eliminated. (1) Looking the motor from the shaft end. (2) Measured at 1m and with tolerance of +3dB(A). (3) Approximate weight subject to changes after manufacturing process. (4) At 100% of full load.			These are average values based on tests with sinusoidal power supply, subject to the tolerances stipulated in NEMA MG-1.			
Rev.	Changes Summary			Performed	Checked	Date
Performed by						
Checked by					Page	Revision
Date	15/04/2019				1 / 2	

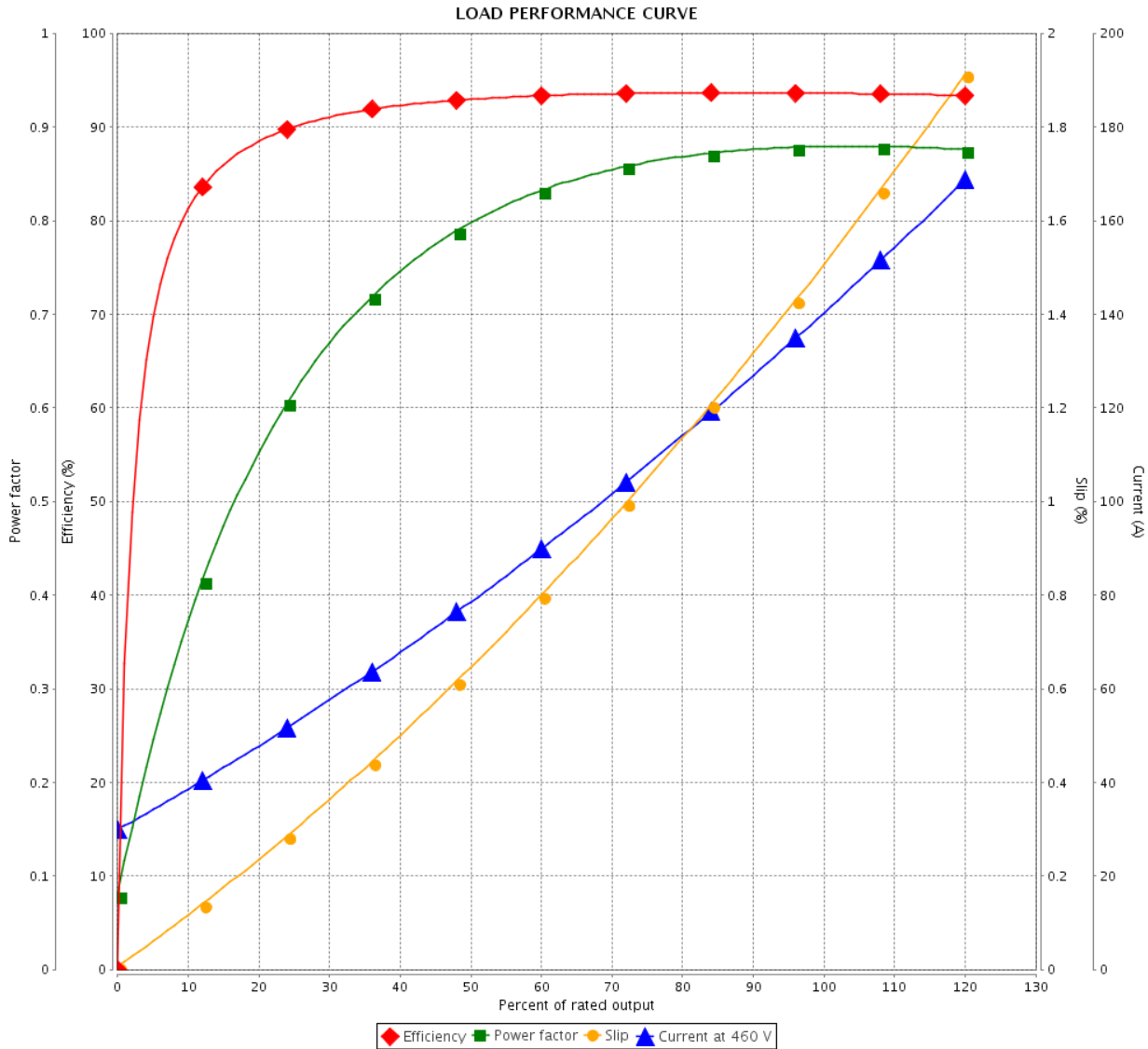
# LOAD PERFORMANCE CURVE



## Three Phase Induction Motor - Squirrel Cage

Customer : Dealers Industrial Equipment 800-469-3110  
 Customer reference : 12536OP3GFP404TS-W40

Product line : W40 High Efficiency Three-Phase      Product code : 14282768  
 Catalog # : 12536OP3GFP404TS-W40



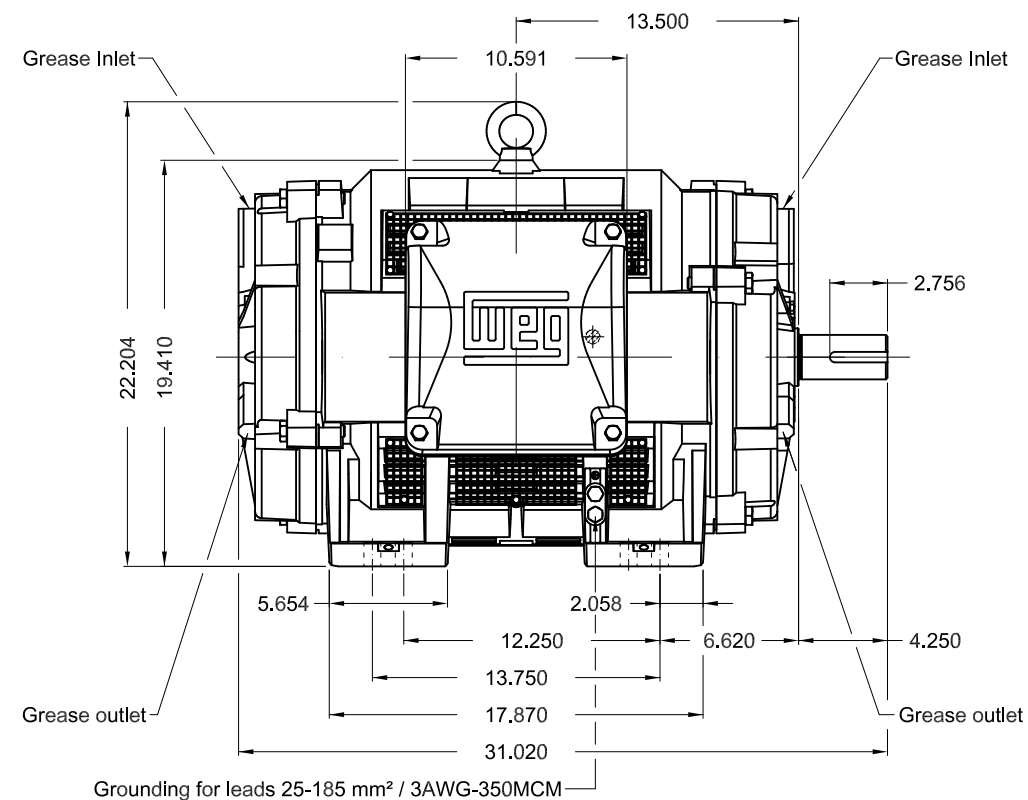
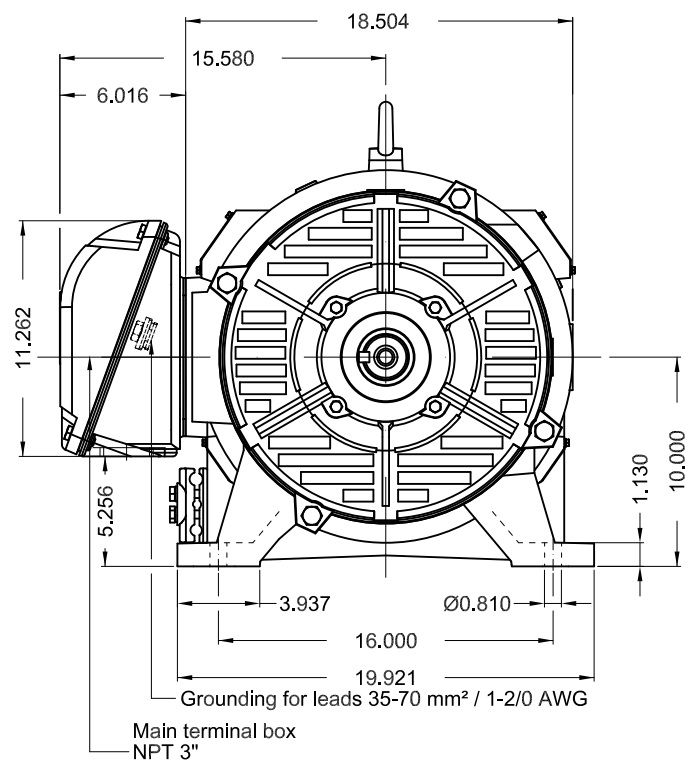
Performance : 460 V 60 Hz 2P

Rated current : 137 A	Moment of inertia (J) : 8.03 sq.ft.lb
LRC : 6.6	Duty cycle : Cont.(S1)
Rated torque : 183 ft.lb	Insulation class : F
Locked rotor torque : 180 %	Service factor : 1.15
Breakdown torque : 229 %	Temperature rise : 105 K
Rated speed : 3545 rpm	Design : B

Rev.	Changes Summary	Performed	Checked	Date
Performed by			Page 2 / 2	Revision
Checked by				
Date	15/04/2019			

Dimensões em polegada  
Dimensions in inches

THIS IS AN UPDATED REVISION, THE  
PREVIOUS ONE MUST BE DISREGARDED.



Color RAL 3002  
Painting plan 203A  
Mounting B3R(D)

SCALE 1:9

ECM	LOC	SUMMARY OF MODIFICATIONS	EXECUTED	CHECKED	RELEASED	DATE	VER
EXECUTED	USERADMIN	THREE PHASE W40 MOTOR HIGH EFF					
CHECKED		FRAME 404/5TS IP23 ODP					
RELEASED		WEG code: 14282768					
REL DT	15.04.2019	WMO Jaragua do Sul	Product Engineering	SHEET	1 / 1		



125 HP 02 Poles 60Hz

A

MODEL 125360P3GFP404TS-W40  
MADE IN BRAZIL  
14282768



*Inverter Duty Motor*



For 60Hz use on PWM, VT 1000:1, CT 2:1, 1.0SF

PH 3	FR 404/5TS	HP(kW) 125(90)	Hz 60	PART-WINDING			WYE-DELTA		
V 460		A 137	IP23	START	RUN	START	RUN		
NEMA NOM EFF		93.6 %	RPM 3545						
ENCL ODP		DUTY	CONT.	INS. CL. F $\Delta$ T 80 K			→ 6314-C3 (27g) MOBIL POLYREX EM → 6212-Z-C3 (13g) 14418 h		
PF 0.88		DES B	CODE G	AMB. 40°C		825 Lbs			
SF 1.15		SFA 158	ALT 1000 m.a.s.l.						
125HP 90kW 50Hz 380V 167A 2930RPM SF1.00 EFF 92.8%									