

DATA SHEET



Three Phase Induction Motor - Squirrel Cage

Customer : Dealers Industrial Equipment 800-469-3110
 Customer reference : 10036OP3HFP365TS-W40

Product line : W40 High Efficiency Three-Phase Product code : 14282390
 Catalog # : 10036OP3HFP365TS-W40

Frame	: 364/5TS	Locked rotor time	: 27s (cold) 15s (hot)
Output	: 100 HP (75 kW)	Temperature rise	: 105 K
Poles	: 2	Duty cycle	: Cont.(S1)
Frequency	: 60 Hz	Ambient temperature	: -20°C to +40°C
Rated voltage	: 575 V	Altitude	: 1000 m.a.s.l.
Rated current	: 92.0 A	Protection degree	: IP23
L. R. Amperes	: 524 A	Cooling method	: IC01 - ODP
LRC	: 5.7x(Code F)	Mounting	: F-1
No load current	: 22.6 A	Rotation ¹	: Both (CW and CCW)
Rated speed	: 3550 rpm	Starting method	: Direct On Line
Slip	: 1.39 %	Approx. weight ³	: 709 lb
Rated torque	: 146 ft.lb		
Locked rotor torque	: 170 %		
Breakdown torque	: 229 %		
Insulation class	: F		
Service factor	: 1.15		
Moment of inertia (J)	: 6.80 sq.ft.lb		
Design	: B		

Output	25%	50%	75%	100%	Foundation loads	
Efficiency (%)	92.2	92.4	93.0	93.0	Max. traction	: 811 lb
Power Factor	0.57	0.80	0.85	0.88	Max. compression	: 1520 lb

	Drive end	Non drive end
Bearing type	: 6314 C3	6212 Z C3
Sealing	: Without Bearing Seal	Without Bearing Seal
Lubrication interval	: 14418 h	20000 h
Lubricant amount	: 27 g	13 g
Lubricant type	: Mobil Polyrex EM	

Notes
 downloaded from <http://dealerselectric.com>

This revision replaces and cancel the previous one, which must be eliminated.
 (1) Looking the motor from the shaft end.
 (2) Measured at 1m and with tolerance of +3dB(A).
 (3) Approximate weight subject to changes after manufacturing process.
 (4) At 100% of full load.

These are average values based on tests with sinusoidal power supply, subject to the tolerances stipulated in NEMA MG-1.

Rev.	Changes Summary	Performed	Checked	Date
Performed by				
Checked by			Page	Revision
Date	15/04/2019		1 / 2	

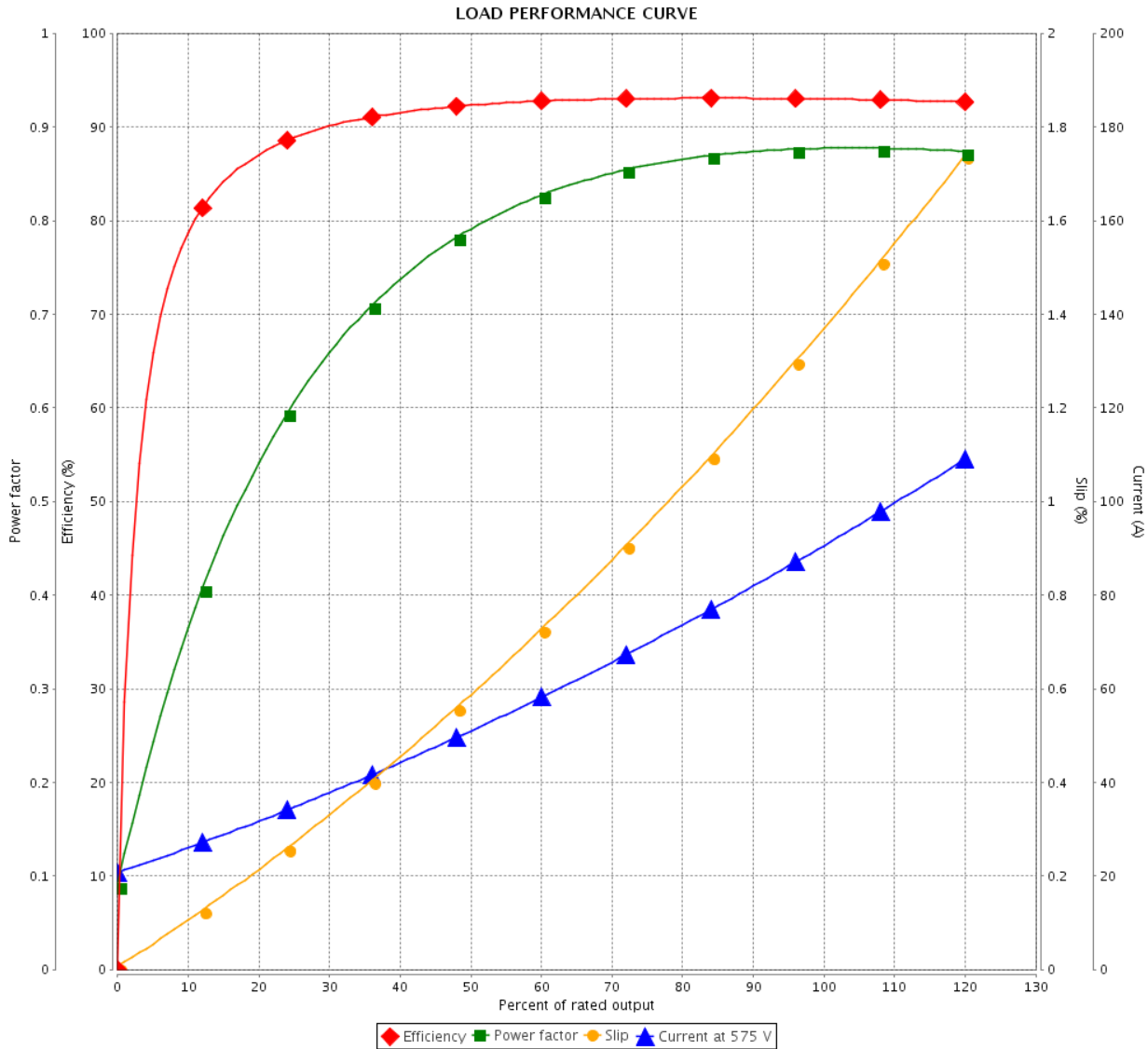
LOAD PERFORMANCE CURVE



Three Phase Induction Motor - Squirrel Cage

Customer : Dealers Industrial Equipment 800-469-3110
 Customer reference : 10036OP3HFP365TS-W40

Product line : W40 High Efficiency Three-Phase Product code : 14282390
 Catalog # : 10036OP3HFP365TS-W40



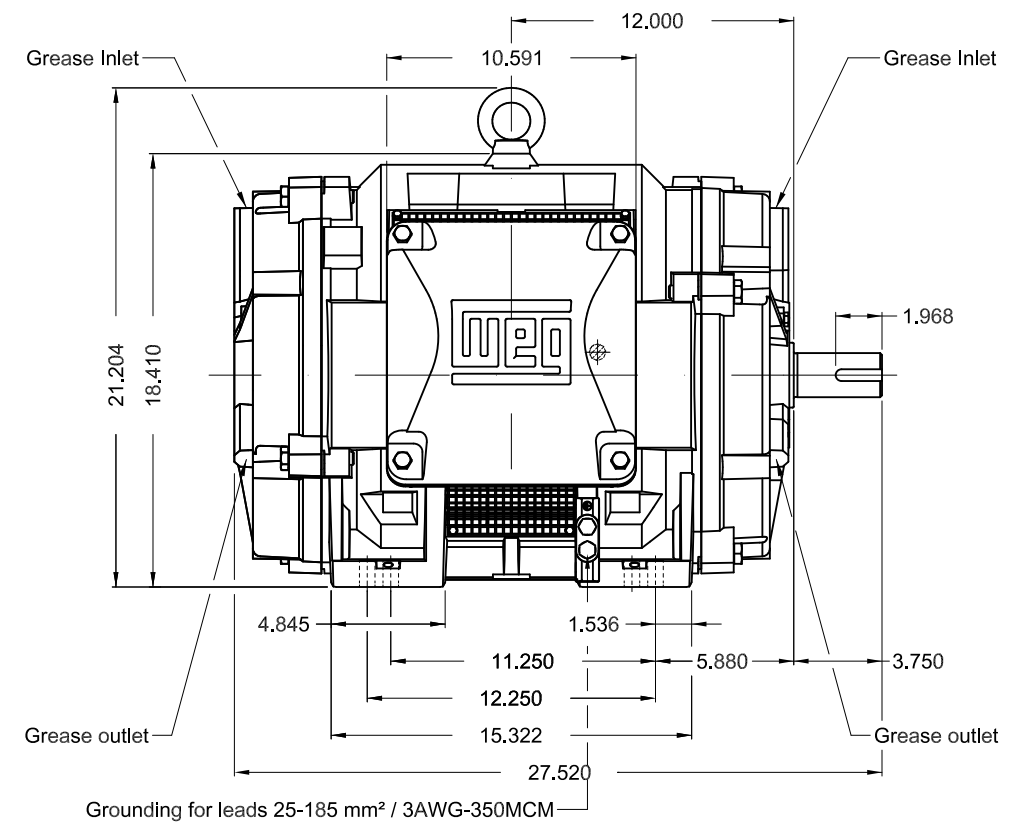
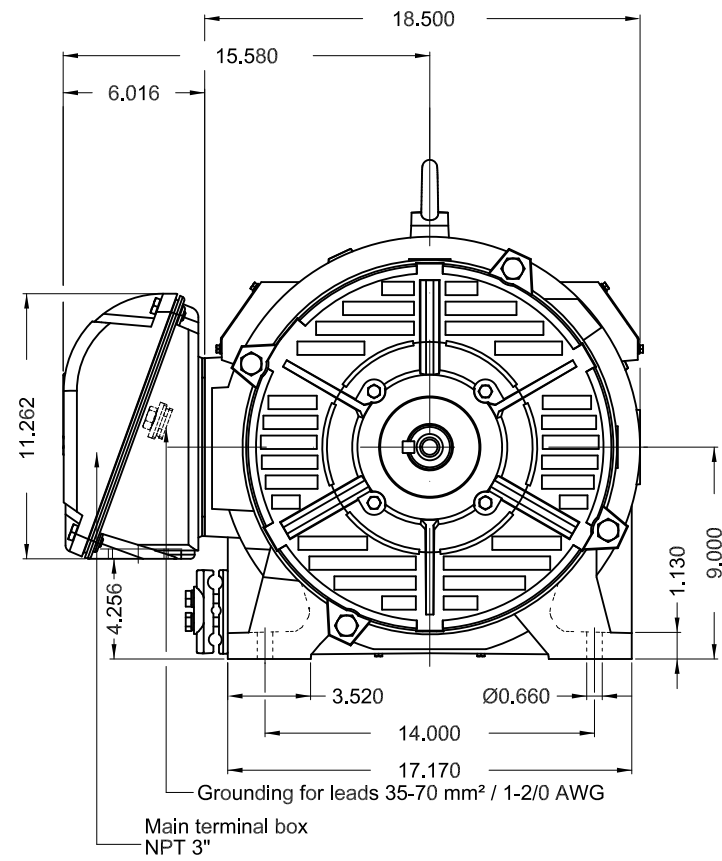
Performance : 575 V 60 Hz 2P

Rated current : 92.0 A	Moment of inertia (J) : 6.80 sq.ft.lb
LRC : 5.7	Duty cycle : Cont.(S1)
Rated torque : 146 ft.lb	Insulation class : F
Locked rotor torque : 170 %	Service factor : 1.15
Breakdown torque : 229 %	Temperature rise : 105 K
Rated speed : 3550 rpm	Design : B

Rev.	Changes Summary	Performed	Checked	Date
Performed by			Page 2 / 2	Revision
Checked by				
Date	15/04/2019			

Dimensões em polegada
Dimensions in inches

THIS IS AN UPDATED REVISION, THE
PREVIOUS ONE MUST BE DISREGARDED.



Color RAL 3002
Painting plan 203A
Mounting B3R(D)

SCALE 1:8

ECM	LOC	SUMMARY OF MODIFICATIONS	EXECUTED	CHECKED	RELEASED	DATE	VER
EXECUTED	USERADMIN	THREE PHASE W40 MOTOR HIGH EFF					
CHECKED		FRAME 364/5TS IP23 ODP					
RELEASED		WEG code: 14282390					
REL DT	15.04.2019	WMO Jaragua do Sul	Product Engineering	SHEET	1 / 1		



100 HP 02 Poles 60Hz

A