

DATA SHEET



Three Phase Induction Motor - Squirrel Cage

Customer : Dealers Industrial Equipment 800-469-3110		Customer reference : 07536OP3HFP364TS-W40																
Product line : W40 High Efficiency Three-Phase		Product code : 14281359																
		Catalog # : 07536OP3HFP364TS-W40																
Frame : 364/5TS Output : 75 HP (55 kW) Poles : 2 Frequency : 60 Hz Rated voltage : 575 V Rated current : 68.2 A L. R. Amperes : 396 A LRC : 5.8x(Code F) No load current : 20.2 A Rated speed : 3555 rpm Slip : 1.25 % Rated torque : 109 ft.lb Locked rotor torque : 160 % Breakdown torque : 210 % Insulation class : F Service factor : 1.15 Moment of inertia (J) : 5.60 sq.ft.lb Design : B		Locked rotor time : 46s (cold) 26s (hot) Temperature rise : 105 K Duty cycle : Cont.(S1) Ambient temperature : -20°C to +40°C Altitude : 1000 m.a.s.l. Protection degree : IP23 Cooling method : IC01 - ODP Mounting : F-1 Rotation ¹ : Both (CW and CCW) Starting method : Direct On Line Approx. weight ³ : 660 lb																
<table border="1"> <tr> <td>Output</td> <td>25%</td> <td>50%</td> <td>75%</td> <td>100%</td> </tr> <tr> <td>Efficiency (%)</td> <td>90.3</td> <td>91.0</td> <td>92.4</td> <td>93.0</td> </tr> <tr> <td>Power Factor</td> <td>0.55</td> <td>0.80</td> <td>0.85</td> <td>0.87</td> </tr> </table>		Output	25%	50%	75%	100%	Efficiency (%)	90.3	91.0	92.4	93.0	Power Factor	0.55	0.80	0.85	0.87	Foundation loads Max. traction : 467 lb Max. compression : 1127 lb	
Output	25%	50%	75%	100%														
Efficiency (%)	90.3	91.0	92.4	93.0														
Power Factor	0.55	0.80	0.85	0.87														
Bearing type : Sealing : Lubrication interval : Lubricant amount : Lubricant type :		<table border="0"> <tr> <td style="text-align: center;"><u>Drive end</u></td> <td style="text-align: center;"><u>Non drive end</u></td> </tr> <tr> <td style="text-align: center;">6314 C3</td> <td style="text-align: center;">6212 Z C3</td> </tr> <tr> <td style="text-align: center;">Without Bearing Seal</td> <td style="text-align: center;">Without Bearing Seal</td> </tr> <tr> <td style="text-align: center;">14418 h</td> <td style="text-align: center;">20000 h</td> </tr> <tr> <td style="text-align: center;">27 g</td> <td style="text-align: center;">13 g</td> </tr> <tr> <td colspan="2" style="text-align: center;">Mobil Polyrex EM</td> </tr> </table>		<u>Drive end</u>	<u>Non drive end</u>	6314 C3	6212 Z C3	Without Bearing Seal	Without Bearing Seal	14418 h	20000 h	27 g	13 g	Mobil Polyrex EM				
<u>Drive end</u>	<u>Non drive end</u>																	
6314 C3	6212 Z C3																	
Without Bearing Seal	Without Bearing Seal																	
14418 h	20000 h																	
27 g	13 g																	
Mobil Polyrex EM																		
Notes downloaded from http://dealerselectric.com																		
This revision replaces and cancel the previous one, which must be eliminated. (1) Looking the motor from the shaft end. (2) Measured at 1m and with tolerance of +3dB(A). (3) Approximate weight subject to changes after manufacturing process. (4) At 100% of full load.		These are average values based on tests with sinusoidal power supply, subject to the tolerances stipulated in NEMA MG-1.																
Rev.	Changes Summary	Performed	Checked	Date														
Performed by																		
Checked by			Page	Revision														
Date	14/04/2019		1 / 2															

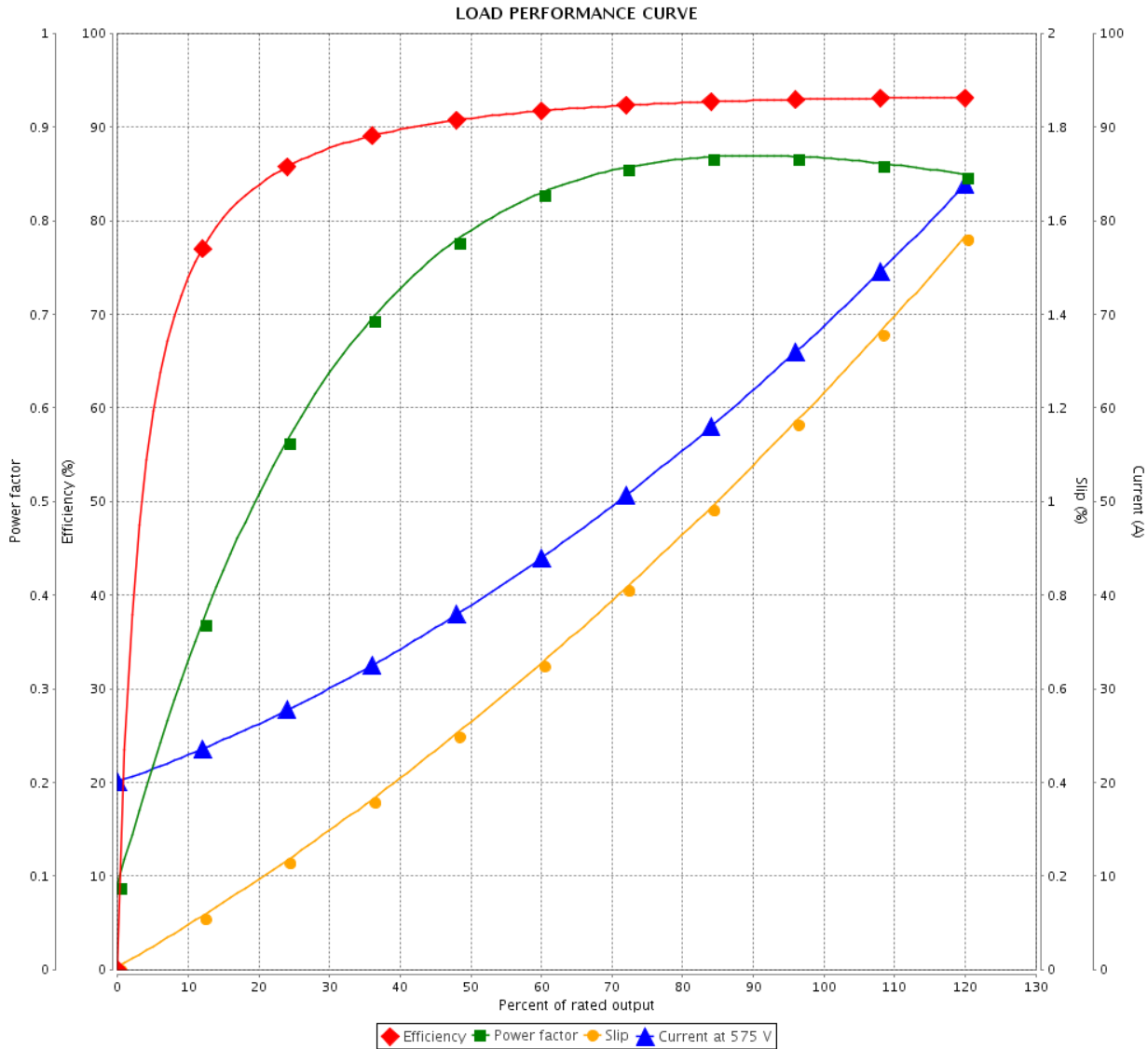
LOAD PERFORMANCE CURVE



Three Phase Induction Motor - Squirrel Cage

Customer : Dealers Industrial Equipment 800-469-3110
 Customer reference : 07536OP3HFP364TS-W40

Product line : W40 High Efficiency Three-Phase Product code : 14281359
 Catalog # : 07536OP3HFP364TS-W40



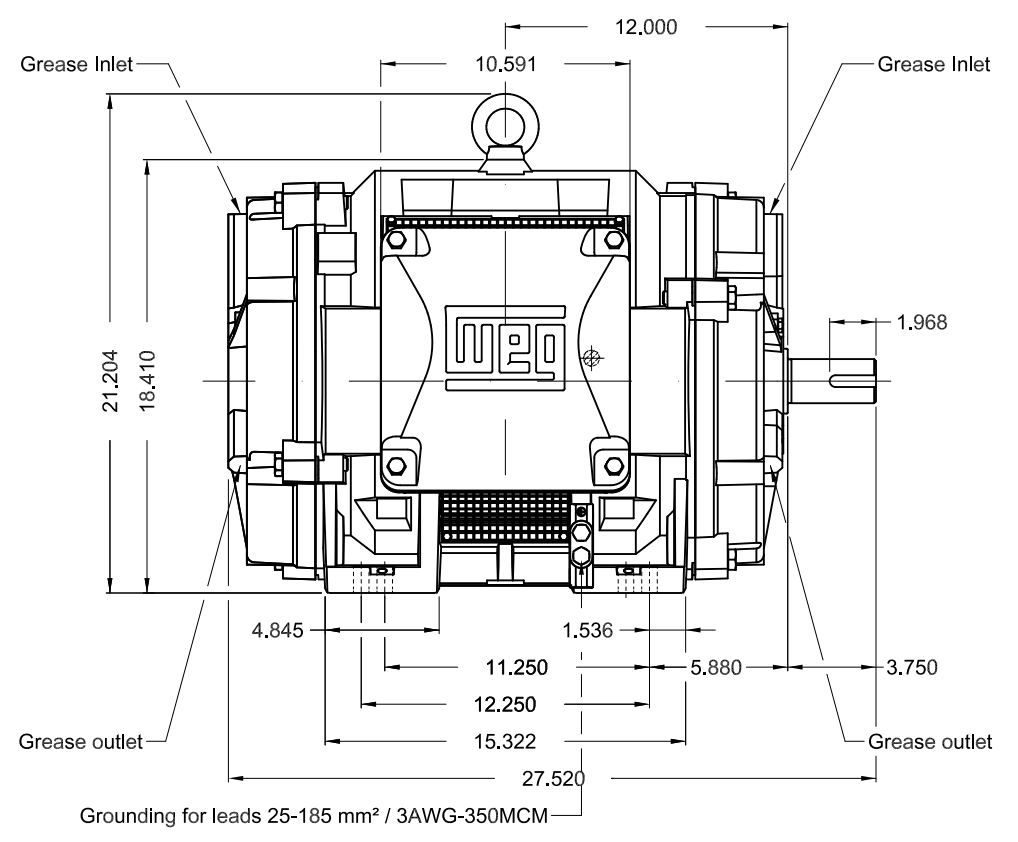
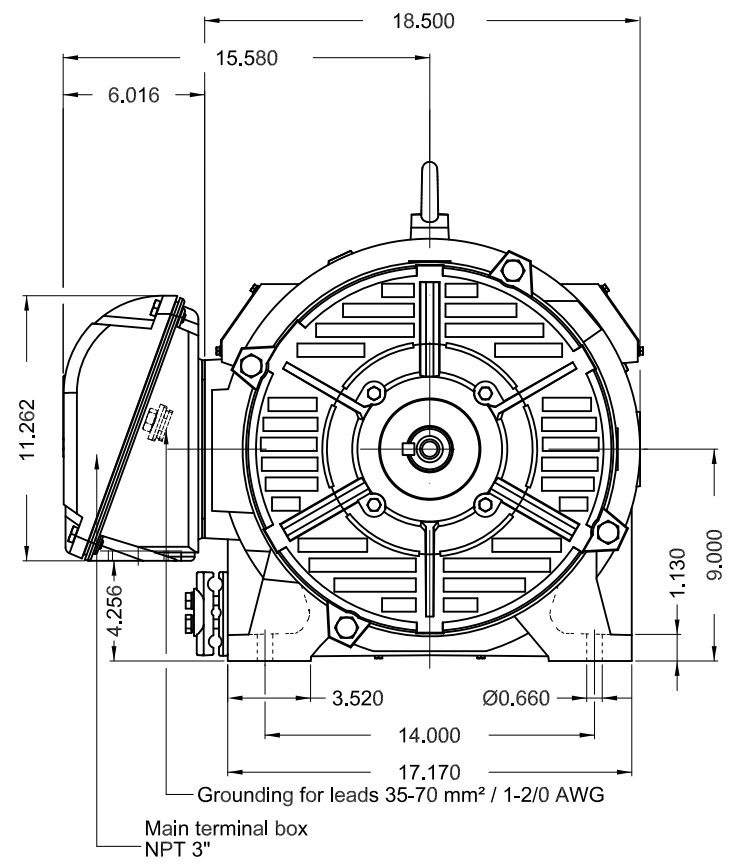
Performance : 575 V 60 Hz 2P

Rated current : 68.2 A	Moment of inertia (J) : 5.60 sq.ft.lb
LRC : 5.8	Duty cycle : Cont.(S1)
Rated torque : 109 ft.lb	Insulation class : F
Locked rotor torque : 160 %	Service factor : 1.15
Breakdown torque : 210 %	Temperature rise : 105 K
Rated speed : 3555 rpm	Design : B

Rev.	Changes Summary	Performed	Checked	Date
Performed by			Page 2 / 2	Revision
Checked by				
Date	14/04/2019			

Dimensões em polegada
Dimensions in inches

THIS IS AN UPDATED REVISION, THE
PREVIOUS ONE MUST BE DISREGARDED.



Color RAL 3002		Painting plan 203A		Mounting B3R(D)	
				SCALE	1:8
ECM	LOC	SUMMARY OF MODIFICATIONS	EXECUTED	CHECKED	RELEASED
EXECUTED	USERADMIN	THREE PHASE W40 MOTOR HIGH EFF			
CHECKED		FRAME 364/5TS IP23 ODP			
RELEASED		WEG code: 14281359			
REL DT	14.04.2019	WMO Jaragua do Sul	Product Engineering	SHEET	1 / 1

75 HP 02 Poles 60Hz

A

