

DATA SHEET



Three Phase Induction Motor - Squirrel Cage

Customer : Dealers Industrial Equipment 800-469-3110		Customer reference : 06018OP3VFP364TS-W40			
Product line : W40 High Efficiency Three-Phase	Product code : 14281213	Catalog # : 06018OP3VFP364TS-W40			
Frame : 364/5TS Output : 60 HP (45 kW) Poles : 4 Frequency : 60 Hz Rated voltage : 200/400 V Rated current : 163/81.7 A L. R. Amperes : 1000/498 A LRC : 6.1x(Code G) No load current : 52.9/26.5 A Rated speed : 1777 rpm Slip : 1.28 % Rated torque : 175 ft.lb Locked rotor torque : 180 % Breakdown torque : 229 % Insulation class : F Service factor : 1.15 Moment of inertia (J) : 12.8 sq.ft.lb Design : B	Locked rotor time : 39s (cold) 22s (hot) Temperature rise : 80 K Duty cycle : Cont.(S1) Ambient temperature : -20°C to +40°C Altitude : 1000 m.a.s.l. Protection degree : IP23 Cooling method : IC01 - ODP Mounting : F-1 Rotation ¹ : Both (CW and CCW) Starting method : Direct On Line Approx. weight ³ : 662 lb				
Output	50%	75%	100%		
Efficiency (%)	93.0	93.6	93.6		
Power Factor	0.73	0.82	0.85		
Foundation loads					
Max. traction			: 1066 lb		
Max. compression			: 1728 lb		
		<u>Drive end</u>	<u>Non drive end</u>		
Bearing type	:	6314 C3	6212 Z C3		
Sealing	:	Without Bearing Seal	Without Bearing Seal		
Lubrication interval	:	20000 h	20000 h		
Lubricant amount	:	27 g	13 g		
Lubricant type	:	Mobil Polyrex EM			
Notes downloaded from http://dealerselectric.com					
This revision replaces and cancel the previous one, which must be eliminated. (1) Looking the motor from the shaft end. (2) Measured at 1m and with tolerance of +3dB(A). (3) Approximate weight subject to changes after manufacturing process. (4) At 100% of full load.		These are average values based on tests with sinusoidal power supply, subject to the tolerances stipulated in NEMA MG-1.			
Rev.	Changes Summary		Performed	Checked	Date
Performed by					
Checked by				Page	Revision
Date	14/04/2019			1 / 2	

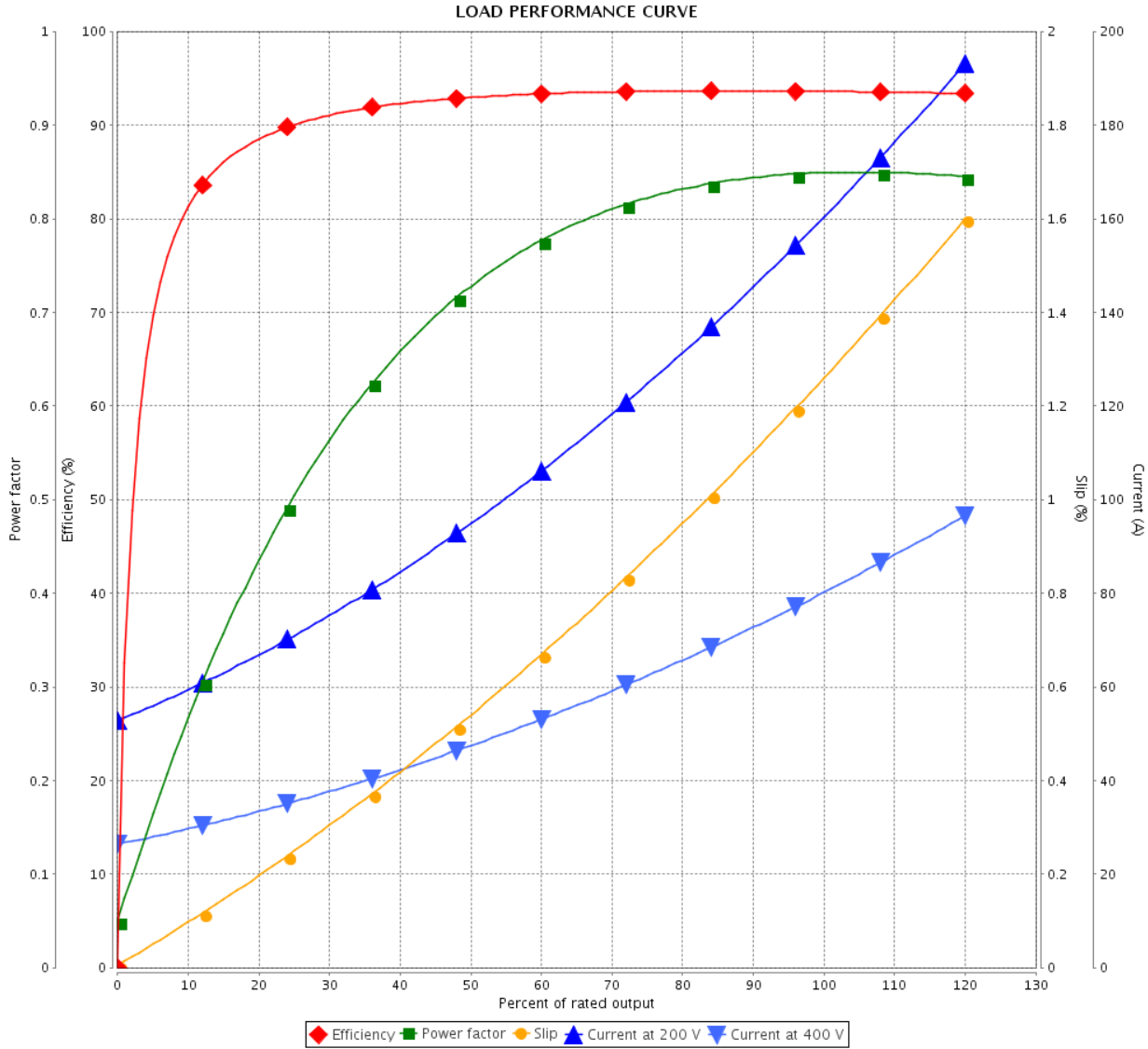
LOAD PERFORMANCE CURVE



Three Phase Induction Motor - Squirrel Cage

Customer : Dealers Industrial Equipment 800-469-3110
 Customer reference : 06018OP3VFP364TS-W40

Product line : W40 High Efficiency Three-Phase Product code : 14281213
 Catalog # : 06018OP3VFP364TS-W40



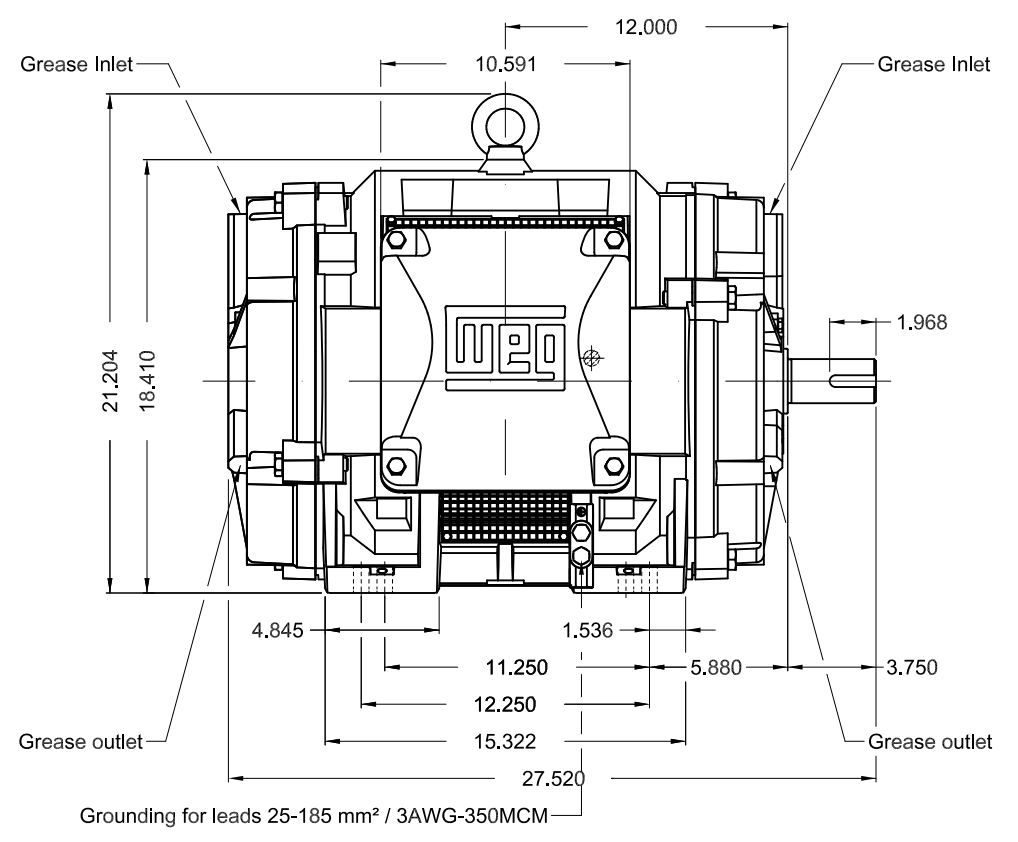
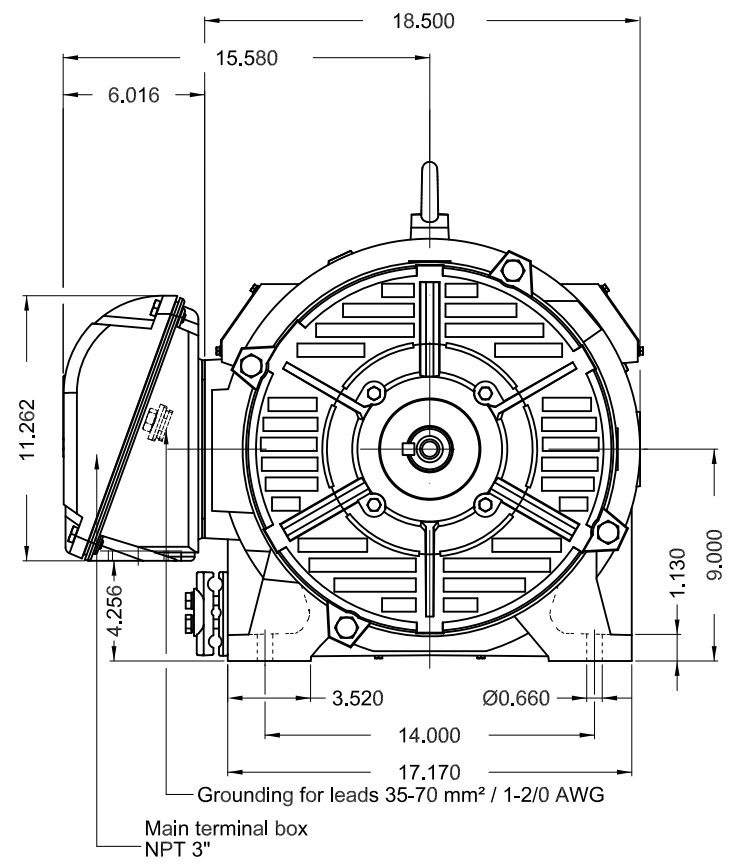
Performance : 200/400 V 60 Hz 4P

Rated current : 163/81.7 A	Moment of inertia (J) : 12.8 sq.ft.lb
LRC : 6.1	Duty cycle : Cont.(S1)
Rated torque : 175 ft.lb	Insulation class : F
Locked rotor torque : 180 %	Service factor : 1.15
Breakdown torque : 229 %	Temperature rise : 80 K
Rated speed : 1777 rpm	Design : B

Rev.	Changes Summary	Performed	Checked	Date
Performed by			Page 2 / 2	Revision
Checked by				
Date	14/04/2019			

Dimensões em polegada
Dimensions in inches

THIS IS AN UPDATED REVISION, THE
PREVIOUS ONE MUST BE DISREGARDED.



TS shaft end									
Color RAL 3002									
Painting plan 203A									
Mounting B3R(D)									
					SCALE	1:8			
ECM	LOC	SUMMARY OF MODIFICATIONS			EXECUTED	CHECKED	RELEASED	DATE	VER
EXECUTED	USERADMIN	THREE PHASE W40 MOTOR HIGH EFF							
CHECKED		FRAME 364/5TS IP23 ODP							
RELEASED		WEG code: 14281213							
REL DT	14.04.2019	WMO	Jaragua do Sul	Product Engineering	SHEET	1 / 1			

60 HP 04 Poles 60Hz

A

