



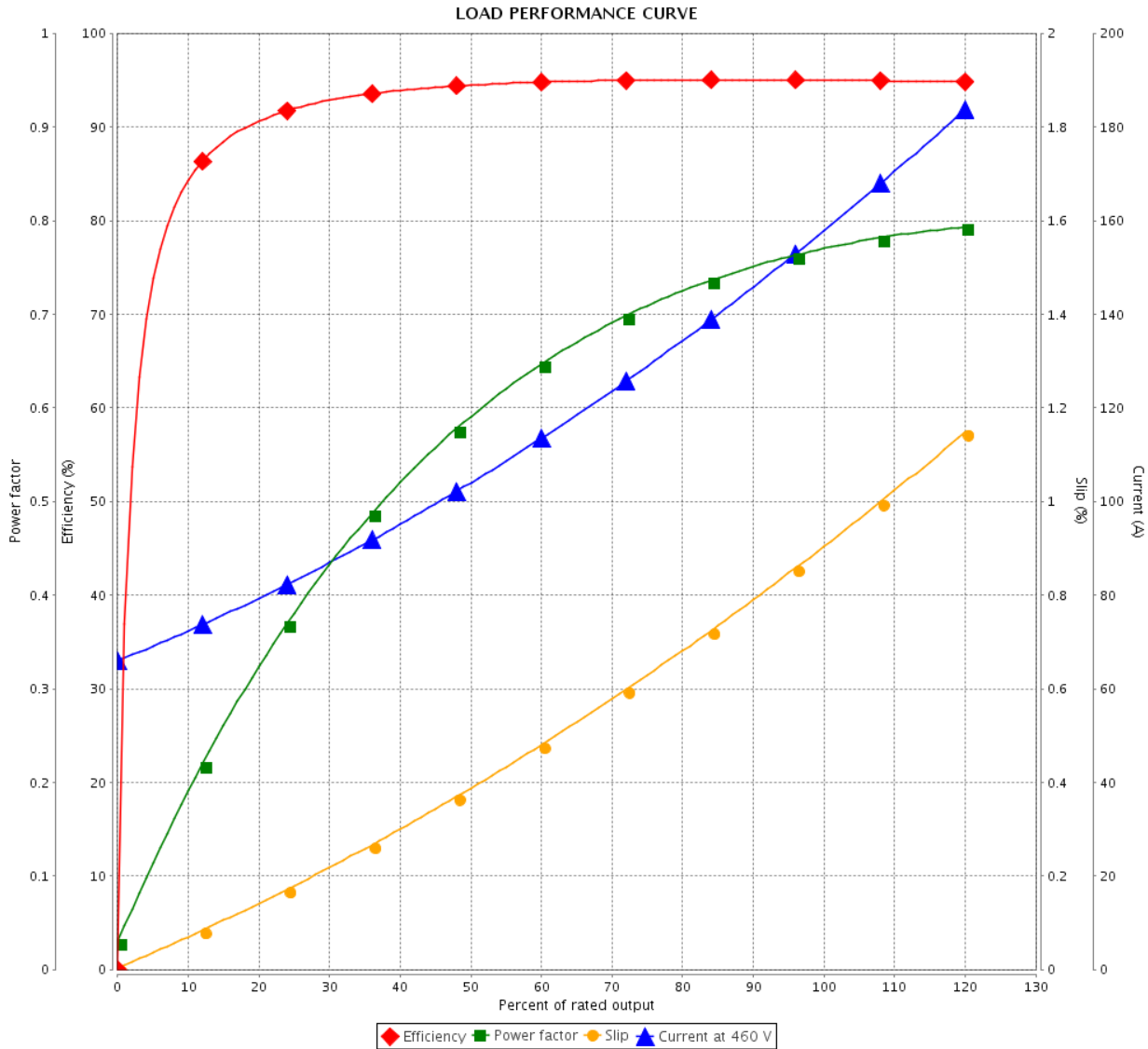
# LOAD PERFORMANCE CURVE



## Three Phase Induction Motor - Squirrel Cage

Customer : Dealers Industrial Equipment 800-469-3110  
 Customer reference : 12512OT3G445T-W40G

Product line : W40 NEMA Premium Efficiency Three-Phase      Product code : 14272924  
 Catalog # : 12512OT3G445T-W40G



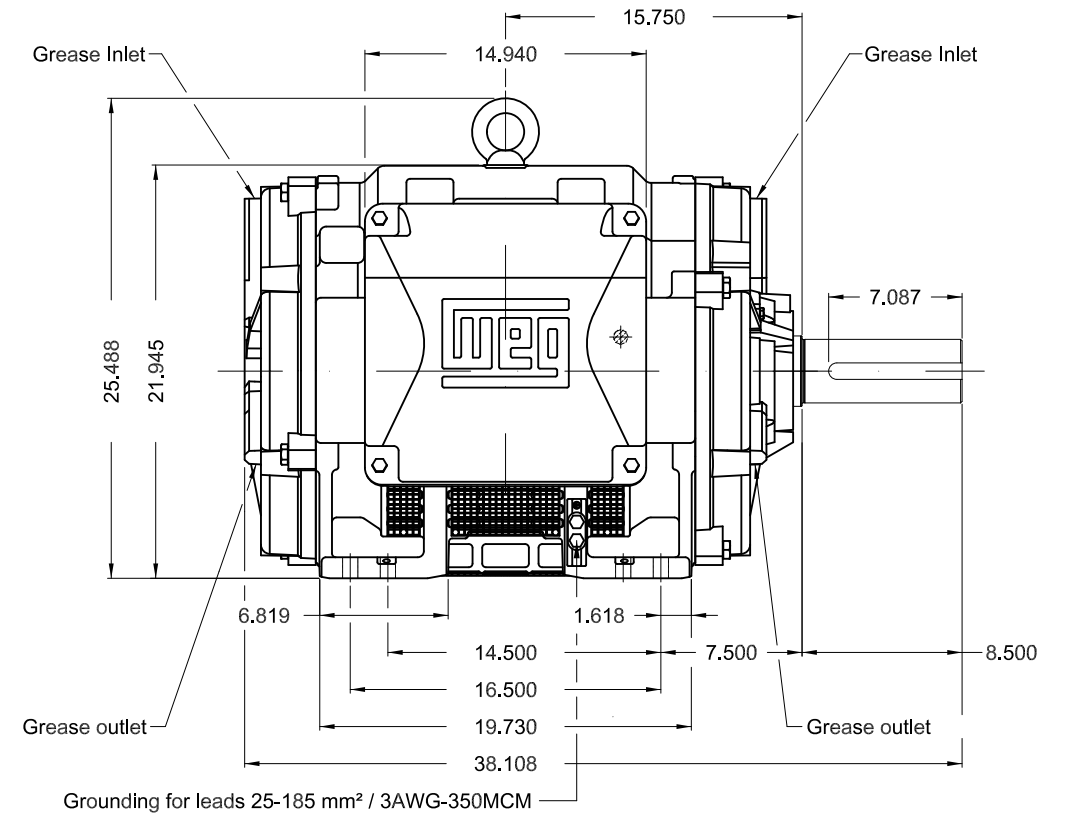
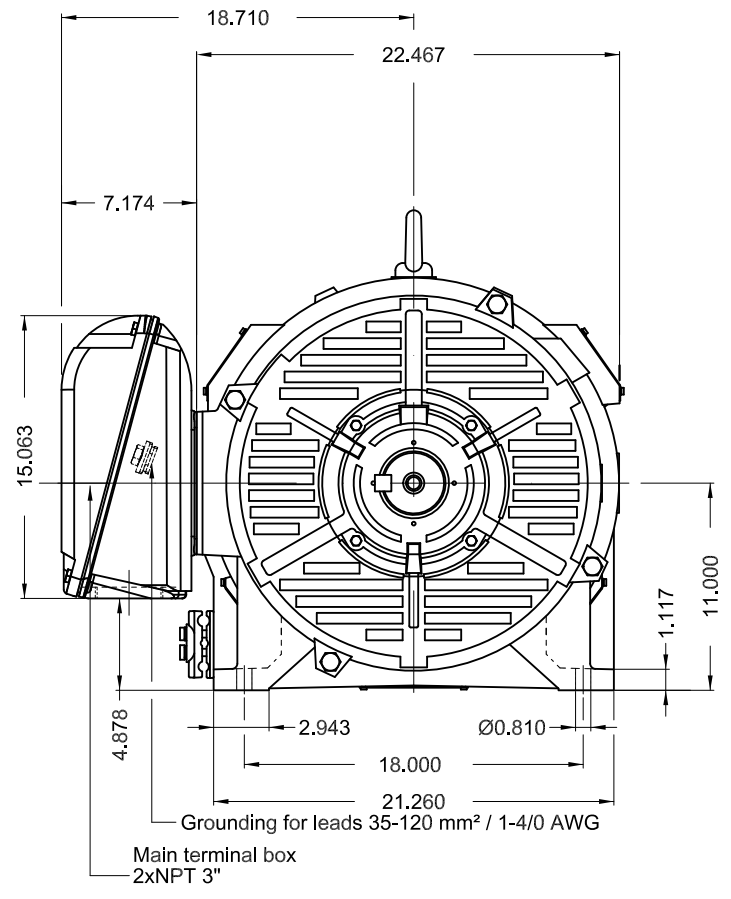
Performance : 460 V 60 Hz 6P

Rated current : 154 A	Moment of inertia (J) : 63.2 sq.ft.lb
LRC : 6.3	Duty cycle : Cont.(S1)
Rated torque : 545 ft.lb	Insulation class : F
Locked rotor torque : 210 %	Service factor : 1.25
Breakdown torque : 250 %	Temperature rise : 80 K
Rated speed : 1189 rpm	Design : B

Rev.	Changes Summary	Performed	Checked	Date
Performed by			Page 2 / 2	Revision
Checked by				
Date	15/04/2019			

Dimensões em polegada  
Dimensions in inches

THIS IS AN UPDATED REVISION, THE  
PREVIOUS ONE MUST BE DISREGARDED.



C3 NDE bearing									
Internal AEGIS ground ring on the DE									
Color RAL 5009									
Painting plan 203A									
Mounting B3R(D)									
						SCALE	1:10		
ECM	LOC	SUMMARY OF MODIFICATIONS			EXECUTED	CHECKED	RELEASED	DATE	VER
EXECUTED	USERADMIN	THREE PHASE W40 MOTOR NEMA PREMIUM EFF							
CHECKED		FRAME 444/5T IP23 ODP							
RELEASED		WEG code: 14272924							
REL DT	15.04.2019	WMO	Jaragua do Sul	Product Engineering	SHEET	1 / 1			

125 HP 06 Poles 60Hz

A

