

DATA SHEET



Three Phase Induction Motor - Squirrel Cage

Customer : Dealers Industrial Equipment 800-469-3110
 Customer reference : 12512OT3G445T-W40

Product line : W40 NEMA Premium Efficiency Three-Phase Product code : 14272922
 Catalog # : 12512OT3G445T-W40

Frame	: 444/5T	Locked rotor time	: 19s (cold) 11s (hot)
Output	: 125 HP	Temperature rise	: 80 K
Poles	: 6	Duty cycle	: Cont.(S1)
Frequency	: 60 Hz	Ambient temperature	: -20°C to +40°C
Rated voltage	: 460 V	Altitude	: 1000 m.a.s.l.
Rated current	: 154 A	Protection degree	: IP23
L. R. Amperes	: 970 A	Cooling method	: IC01 - ODP
LRC	: 6.3x(Code G)	Mounting	: F-1
No load current	: 66.0 A	Rotation ¹	: Both (CW and CCW)
Rated speed	: 1189 rpm	Noise level ²	: 69.0 dB(A)
Slip	: 0.92 %	Starting method	: Direct On Line
Rated torque	: 545 ft.lb	Approx. weight ³	: 1396 lb
Locked rotor torque	: 210 %		
Breakdown torque	: 250 %		
Insulation class	: F		
Service factor	: 1.25		
Moment of inertia (J)	: 63.2 sq.ft.lb		
Design	: B		

Output	25%	50%	75%	100%	Foundation loads	
Efficiency (%)	94.4	94.5	95.0	95.0	Max. traction	: 3540 lb
Power Factor	0.37	0.59	0.71	0.77	Max. compression	: 4936 lb

		<u>Drive end</u>	<u>Non drive end</u>
Bearing type	:	6319 C3	6314 C3
Sealing	:	Without Bearing Seal	Without Bearing Seal
Lubrication interval	:	20000 h	20000 h
Lubricant amount	:	45 g	27 g
Lubricant type	:	Mobil Polyrex EM	

Notes
 downloaded from <http://dealerselectric.com>

This revision replaces and cancel the previous one, which must be eliminated.
 (1) Looking the motor from the shaft end.
 (2) Measured at 1m and with tolerance of +3dB(A).
 (3) Approximate weight subject to changes after manufacturing process.
 (4) At 100% of full load.

These are average values based on tests with sinusoidal power supply, subject to the tolerances stipulated in NEMA MG-1.

Rev.	Changes Summary	Performed	Checked	Date
Performed by		Page		Revision
Checked by		1 / 2		
Date	15/04/2019			

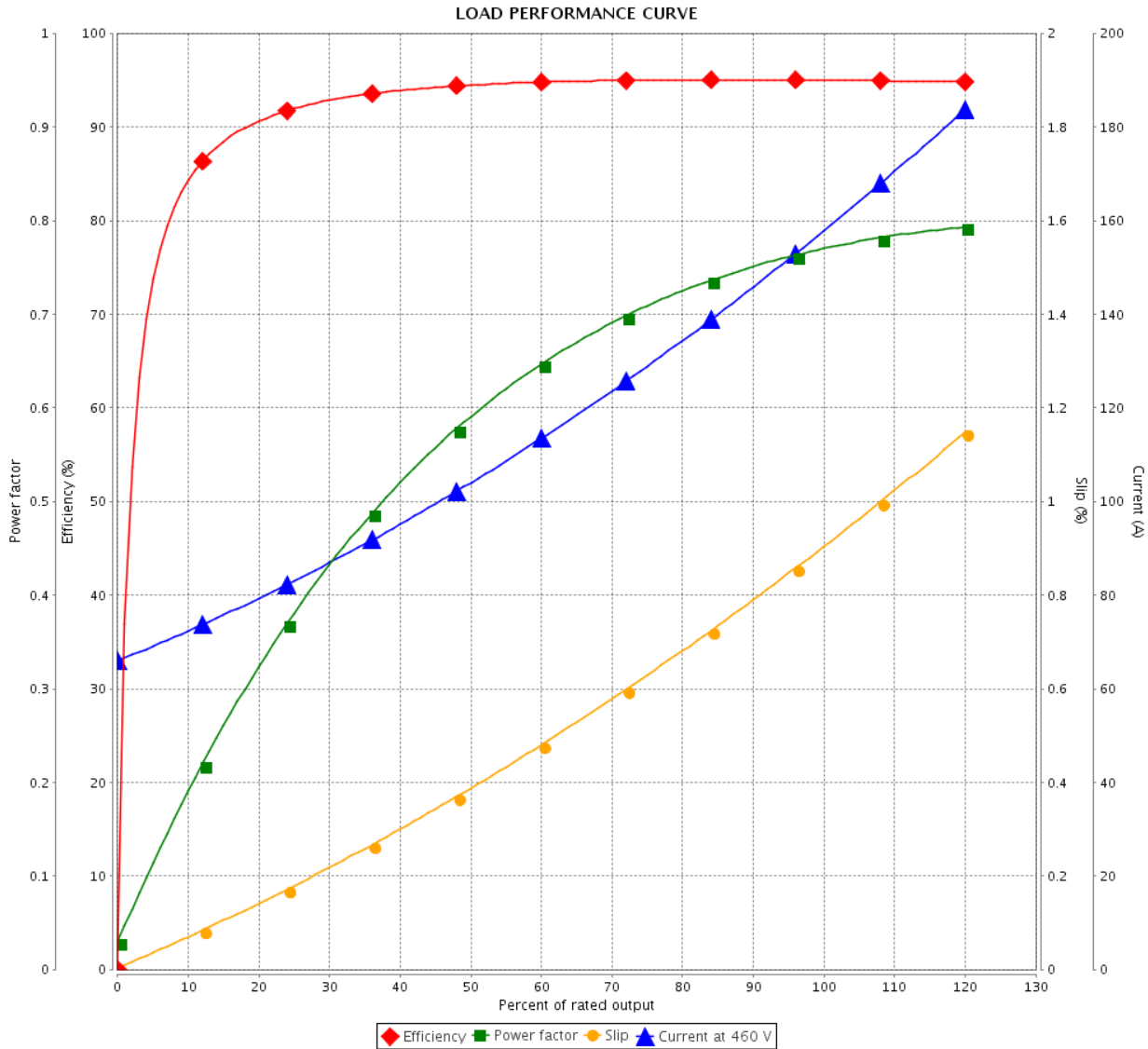
LOAD PERFORMANCE CURVE



Three Phase Induction Motor - Squirrel Cage

Customer : Dealers Industrial Equipment 800-469-3110
 Customer reference : 12512OT3G445T-W40

Product line : W40 NEMA Premium Efficiency Three-Phase Product code : 14272922
 Catalog # : 12512OT3G445T-W40



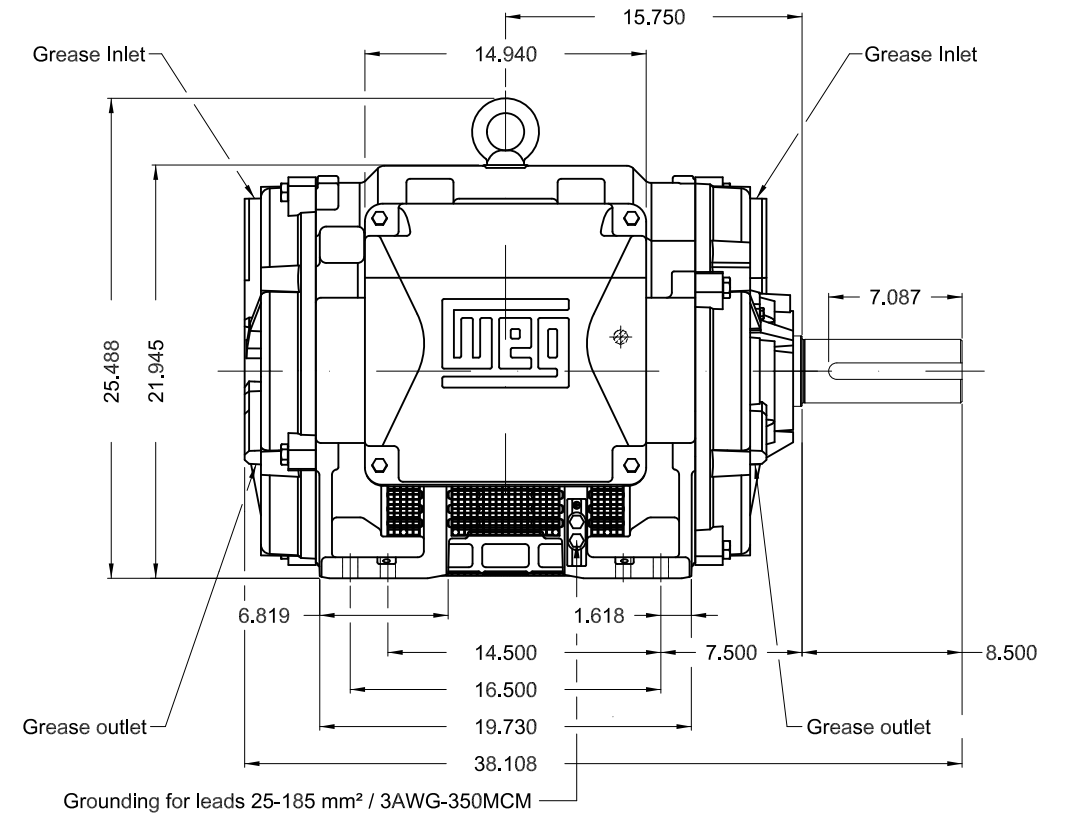
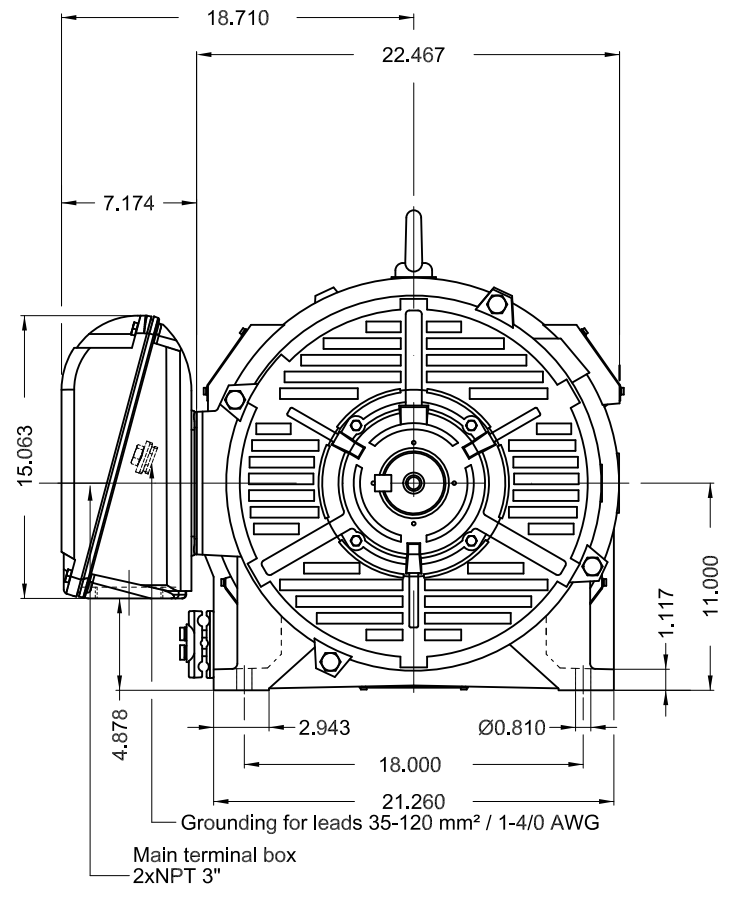
Performance : 460 V 60 Hz 6P

Rated current : 154 A	Moment of inertia (J) : 63.2 sq.ft.lb
LRC : 6.3	Duty cycle : Cont.(S1)
Rated torque : 545 ft.lb	Insulation class : F
Locked rotor torque : 210 %	Service factor : 1.25
Breakdown torque : 250 %	Temperature rise : 80 K
Rated speed : 1189 rpm	Design : B

Rev.	Changes Summary	Performed	Checked	Date
Performed by			Page 2 / 2	Revision
Checked by				
Date	15/04/2019			

Dimensões em polegada
Dimensions in inches

THIS IS AN UPDATED REVISION, THE
PREVIOUS ONE MUST BE DISREGARDED.



C3 NDE bearing						SCALE		1:10		
Color RAL 5009										
Painting plan 203A										
Mounting B3R(D)										
ECM		LOC		SUMMARY OF MODIFICATIONS		EXECUTED	CHECKED	RELEASED	DATE	VER
EXECUTED		USERADMIN		THREE PHASE W40 MOTOR NEMA PREMIUM EFF						
CHECKED				FRAME 444/5T IP23 ODP						
RELEASED				WEG code: 14272922						
REL DT		15.04.2019		WMO Jaragua do Sul		Product Engineering	SHEET	1 / 1		

125 HP 06 Poles 60Hz

A

