

DATA SHEET



Three Phase Induction Motor - Squirrel Cage

Customer : Dealers Industrial Equipment 800-469-3110		Customer reference : 06018OT3E364TC-W40G																
Product line : W40 NEMA Premium Efficiency Three-Phase		Product code : 14272903																
		Catalog # : 06018OT3E364TC-W40G																
Frame : 364/5TC Output : 60 HP (45 kW) Poles : 4 Frequency : 60 Hz Rated voltage : 208-230/460 V Rated current : 155-140/69.9 A L. R. Amperes : 1005-909/454 A LRC : 6.5x(Code G) No load current : 42.6-49.4/24.7 A Rated speed : 1780 rpm Slip : 1.11 % Rated torque : 175 ft.lb Locked rotor torque : 200 % Breakdown torque : 240 % Insulation class : F Service factor : 1.25 Moment of inertia (J) : 15.6 sq.ft.lb Design : B		Locked rotor time : 34s (cold) 19s (hot) Temperature rise : 80 K Duty cycle : Cont.(S1) Ambient temperature : -20°C to +40°C Altitude : 1000 m.a.s.l. Protection degree : IP23 Cooling method : IC01 - ODP Mounting : F-1 Rotation ¹ : Both (CW and CCW) Noise level ² : 69.0 dB(A) Starting method : Direct On Line Approx. weight ³ : 772 lb																
<table border="1"> <tr> <td>Output</td> <td>25%</td> <td>50%</td> <td>75%</td> <td>100%</td> </tr> <tr> <td>Efficiency (%)</td> <td>94.4</td> <td>94.5</td> <td>95.0</td> <td>95.0</td> </tr> <tr> <td>Power Factor</td> <td>0.48</td> <td>0.73</td> <td>0.82</td> <td>0.85</td> </tr> </table>		Output	25%	50%	75%	100%	Efficiency (%)	94.4	94.5	95.0	95.0	Power Factor	0.48	0.73	0.82	0.85	Foundation loads Max. traction : 1250 lb Max. compression : 2022 lb	
Output	25%	50%	75%	100%														
Efficiency (%)	94.4	94.5	95.0	95.0														
Power Factor	0.48	0.73	0.82	0.85														
Bearing type : Sealing : Lubrication interval : Lubricant amount : Lubricant type :		<table border="0"> <tr> <td style="text-align: center;"><u>Drive end</u></td> <td style="text-align: center;"><u>Non drive end</u></td> </tr> <tr> <td style="text-align: center;">6314 C3</td> <td style="text-align: center;">6212 Z C3</td> </tr> <tr> <td style="text-align: center;">Without Bearing Seal</td> <td style="text-align: center;">Without Bearing Seal</td> </tr> <tr> <td style="text-align: center;">20000 h</td> <td style="text-align: center;">20000 h</td> </tr> <tr> <td style="text-align: center;">27 g</td> <td style="text-align: center;">13 g</td> </tr> <tr> <td colspan="2" style="text-align: center;">Mobil Polyrex EM</td> </tr> </table>		<u>Drive end</u>	<u>Non drive end</u>	6314 C3	6212 Z C3	Without Bearing Seal	Without Bearing Seal	20000 h	20000 h	27 g	13 g	Mobil Polyrex EM				
<u>Drive end</u>	<u>Non drive end</u>																	
6314 C3	6212 Z C3																	
Without Bearing Seal	Without Bearing Seal																	
20000 h	20000 h																	
27 g	13 g																	
Mobil Polyrex EM																		
Notes downloaded from http://dealerselectric.com																		
This revision replaces and cancel the previous one, which must be eliminated. (1) Looking the motor from the shaft end. (2) Measured at 1m and with tolerance of +3dB(A). (3) Approximate weight subject to changes after manufacturing process. (4) At 100% of full load.		These are average values based on tests with sinusoidal power supply, subject to the tolerances stipulated in NEMA MG-1.																
Rev.	Changes Summary	Performed	Checked	Date														
Performed by																		
Checked by			Page	Revision														
Date	14/04/2019		1 / 2															

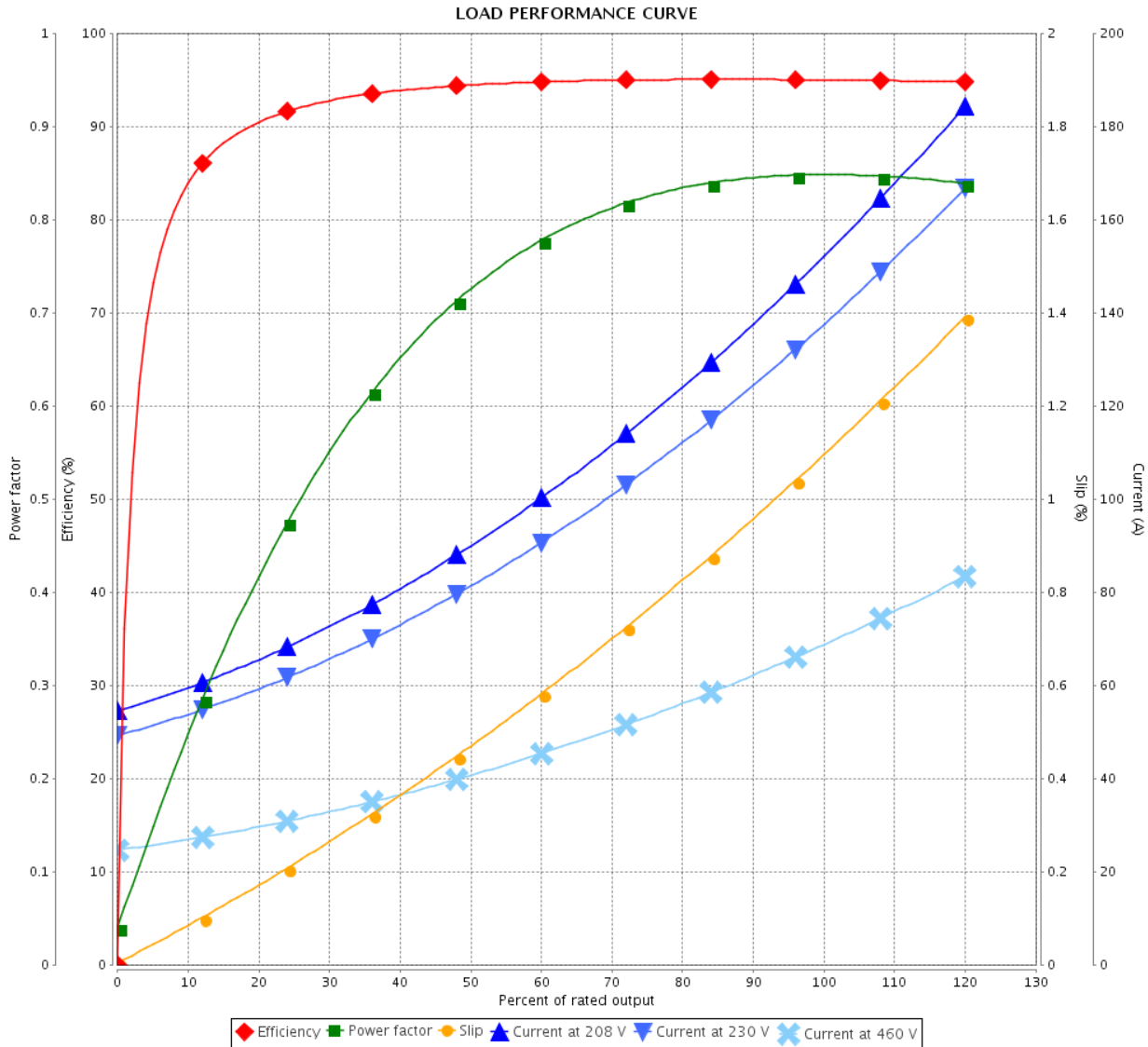
LOAD PERFORMANCE CURVE

Three Phase Induction Motor - Squirrel Cage



Customer : Dealers Industrial Equipment 800-469-3110
 Customer reference : 06018OT3E364TC-W40G

Product line : W40 NEMA Premium Efficiency Three-Phase Product code : 14272903
 Catalog # : 06018OT3E364TC-W40G



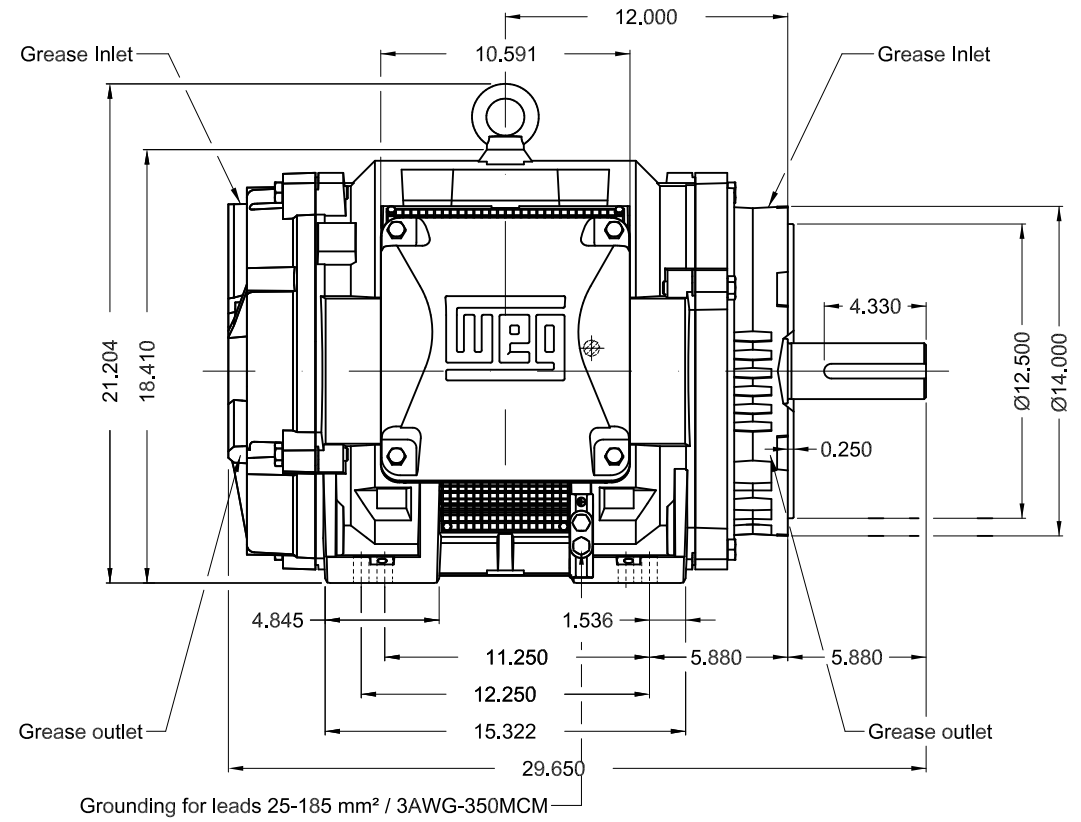
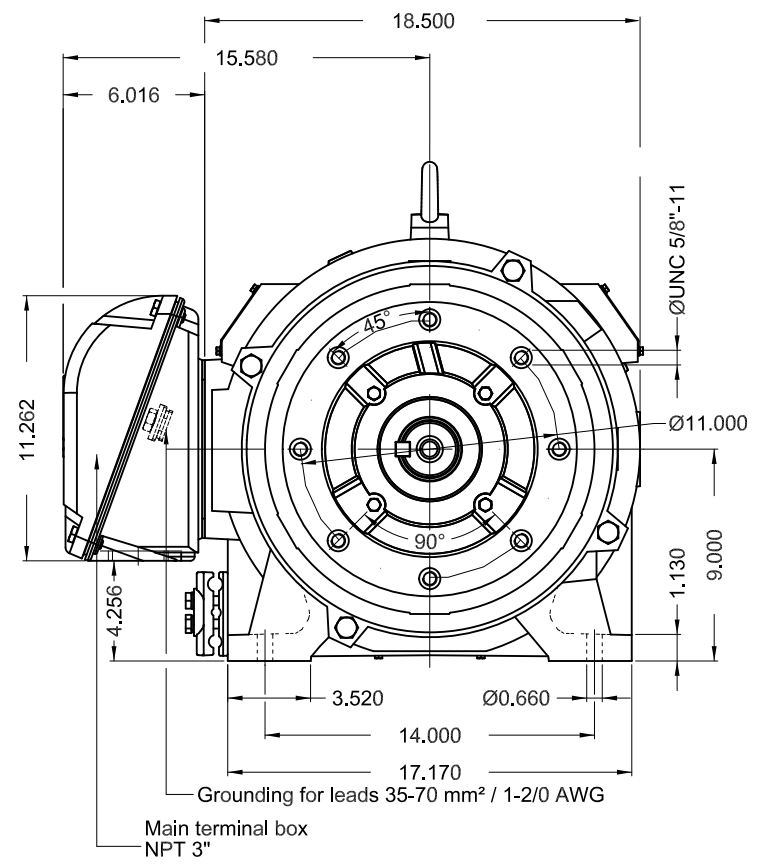
Performance : 208-230/460 V 60 Hz 4P

Rated current : 155-140/69.9 A	Moment of inertia (J) : 15.6 sq.ft.lb
LRC : 6.5	Duty cycle : Cont.(S1)
Rated torque : 175 ft.lb	Insulation class : F
Locked rotor torque : 200 %	Service factor : 1.25
Breakdown torque : 240 %	Temperature rise : 80 K
Rated speed : 1780 rpm	Design : B

Rev.	Changes Summary	Performed	Checked	Date
Performed by			Page 2 / 2	Revision
Checked by				
Date	14/04/2019			

Dimensões em polegada
Dimensions in inches

THIS IS AN UPDATED REVISION, THE
PREVIOUS ONE MUST BE DISREGARDED.



Internal AEGIS ground ring on the DE						
Color RAL 5009						
Painting plan 203A						
Mounting B34R(D)						
					SCALE	1:8
ECM	LOC	SUMMARY OF MODIFICATIONS			EXECUTED	CHECKED
EXECUTED	USERADMIN	THREE PHASE W40 MOTOR NEMA PREMIUM EFF				
CHECKED		FRAME 364/5TC IP23 ODP				
RELEASED		WEG code: 14272903				
REL DT	14.04.2019	WMO	Jaragua do Sul	Product Engineering	SHEET	1 / 1

60 HP 04 Poles 60Hz

A

