



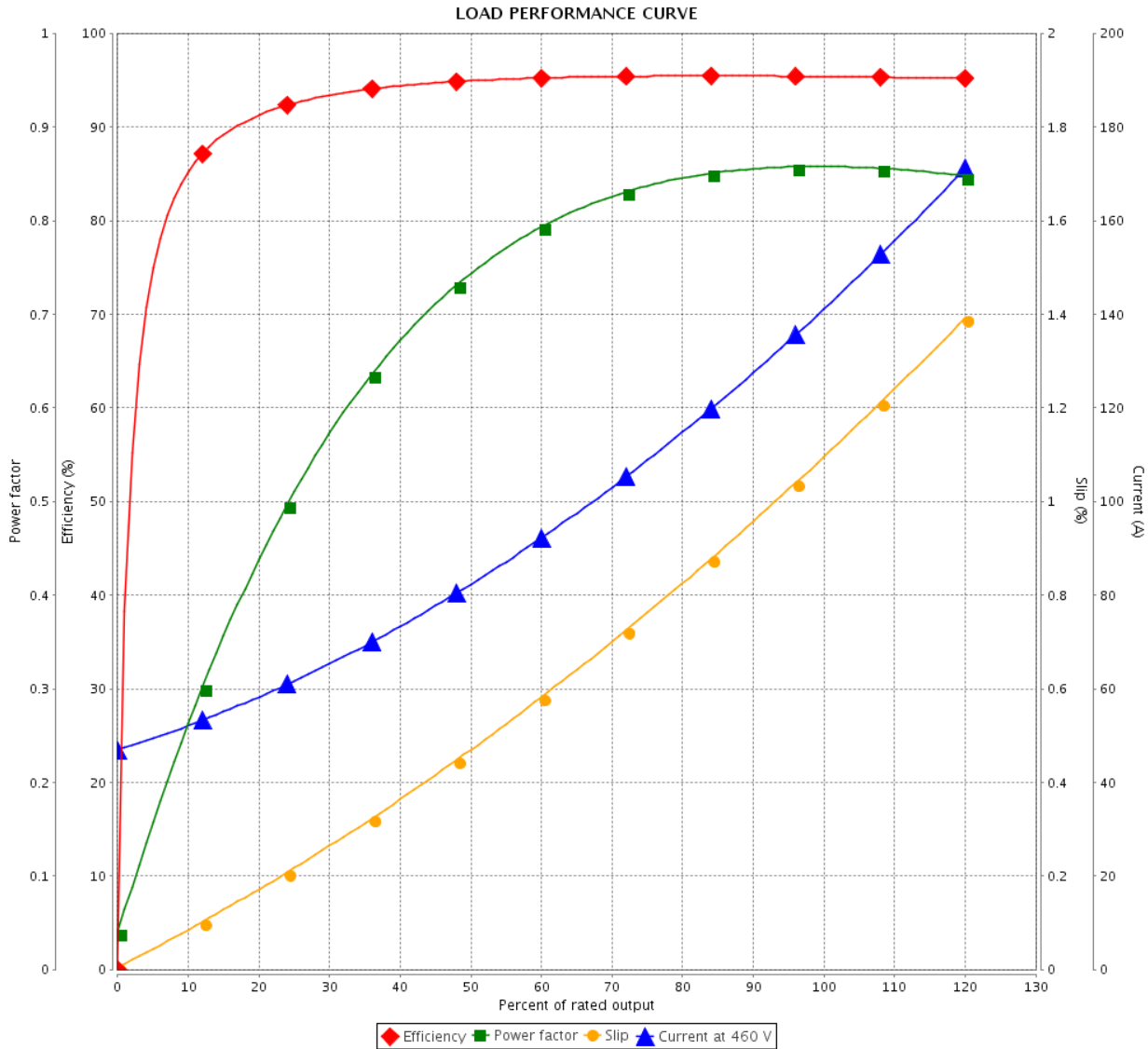
# LOAD PERFORMANCE CURVE



## Three Phase Induction Motor - Squirrel Cage

Customer : Dealers Industrial Equipment 800-469-3110  
 Customer reference : 12518OT3GRB405T-W40

Product line : W40 NEMA Premium Efficiency Three-Phase      Product code : 14272883  
 Catalog # : 12518OT3GRB405T-W40



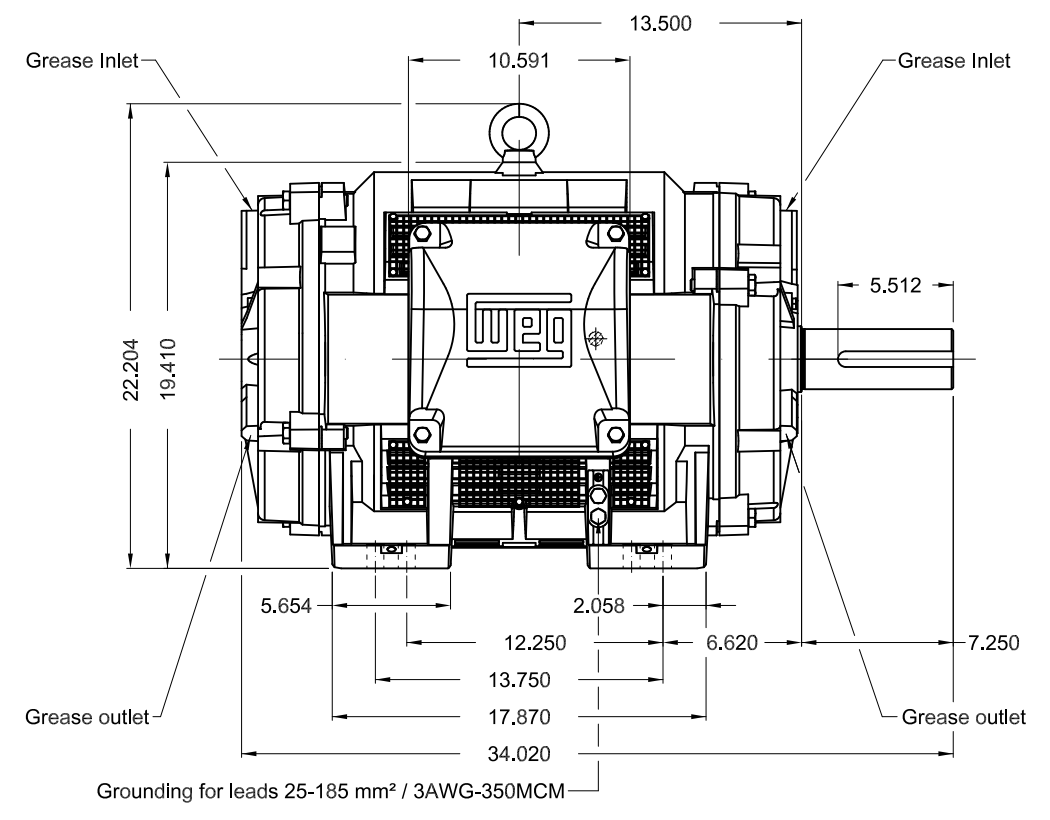
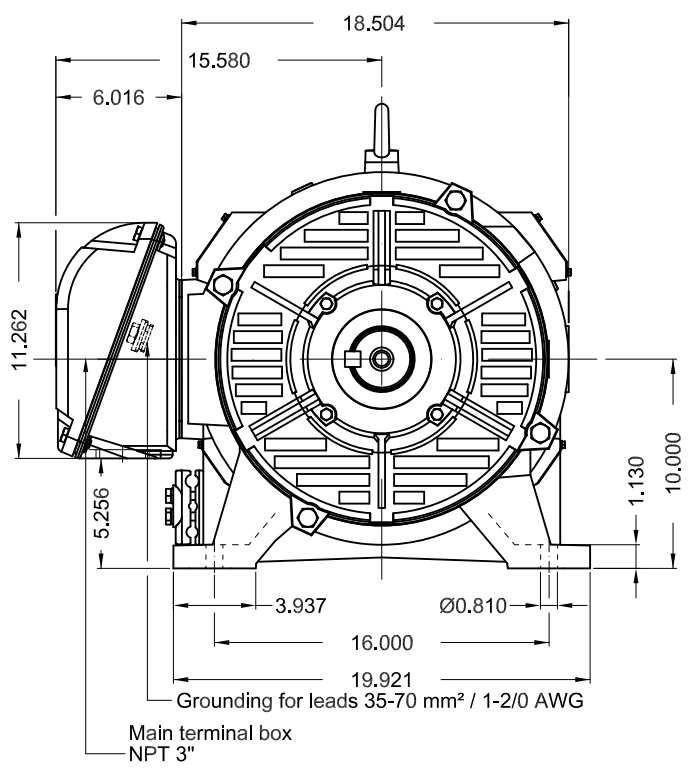
Performance : 460 V 60 Hz 4P

Rated current : 138 A	Moment of inertia (J) : 25.5 sq.ft.lb
LRC : 6.9	Duty cycle : Cont.(S1)
Rated torque : 364 ft.lb	Insulation class : F
Locked rotor torque : 270 %	Service factor : 1.25
Breakdown torque : 260 %	Temperature rise : 80 K
Rated speed : 1780 rpm	Design : B

Rev.	Changes Summary	Performed	Checked	Date
Performed by			Page 2 / 2	Revision
Checked by				
Date	15/04/2019			

Dimensões em polegada  
Dimensions in inches

THIS IS AN UPDATED REVISION, THE  
PREVIOUS ONE MUST BE DISREGARDED.



- Shaft locking device
- C3 NDE bearing
- DE roller bearing
- Color RAL 5009
- Painting plan 203A
- Mounting B3R(D)

					SCALE	1:9		
ECM	LOC	SUMMARY OF MODIFICATIONS		EXECUTED	CHECKED	RELEASED	DATE	VER
EXECUTED	USERADMIN	THREE PHASE W40 MOTOR NEMA PREMIUM EFF						
CHECKED		FRAME 404/5T IP23 ODP						
RELEASED		WEG code: 14272883						
REL DT	15.04.2019	WMO	Jaragua do Sul	Product Engineering	SHEET	1 / 1		

125 HP 04 Poles 60Hz

A

