

# DATA SHEET



## Three Phase Induction Motor - Squirrel Cage

Customer : Dealers Industrial Equipment 800-469-3110  
 Customer reference : 25036OT3H445TS-W40

Product line : W40 NEMA Premium Efficiency Three-Phase      Product code : 14272876  
 Catalog # : 25036OT3H445TS-W40

Frame : 444/5TS	Locked rotor time : 28s (cold) 16s (hot)
Output : 250 HP (185 kW)	Temperature rise : 80 K
Poles : 2	Duty cycle : Cont.(S1)
Frequency : 60 Hz	Ambient temperature : -20°C to +40°C
Rated voltage : 575 V	Altitude : 1000 m.a.s.l.
Rated current : 222 A	Protection degree : IP23
L. R. Amperes : 1490 A	Cooling method : IC01 - ODP
LRC : 6.7x(Code G)	Mounting : F-1
No load current : 57.6 A	Rotation <sup>1</sup> : Both (CW and CCW)
Rated speed : 3570 rpm	Noise level <sup>2</sup> : 85.0 dB(A)
Slip : 0.83 %	Starting method : Direct On Line
Rated torque : 363 ft.lb	Approx. weight <sup>3</sup> : 1378 lb
Locked rotor torque : 150 %	
Breakdown torque : 229 %	
Insulation class : F	
Service factor : 1.15	
Moment of inertia (J) : 26.9 sq.ft.lb	
Design : B	

Output	25%	50%	75%	100%	Foundation loads
Efficiency (%)	93.0	93.6	94.5	95.0	Max. traction : 1565 lb
Power Factor	0.56	0.79	0.85	0.88	Max. compression : 2944 lb

		<u>Drive end</u>	<u>Non drive end</u>
Bearing type :		6314 C3	6212 Z C3
Sealing :		Without Bearing Seal	Without Bearing Seal
Lubrication interval :		14418 h	20000 h
Lubricant amount :		27 g	13 g
Lubricant type :		Mobil Polyrex EM	

Notes  
 downloaded from <http://dealerselectric.com>

This revision replaces and cancel the previous one, which must be eliminated.  
 (1) Looking the motor from the shaft end.  
 (2) Measured at 1m and with tolerance of +3dB(A).  
 (3) Approximate weight subject to changes after manufacturing process.  
 (4) At 100% of full load.

These are average values based on tests with sinusoidal power supply, subject to the tolerances stipulated in NEMA MG-1.

Rev.	Changes Summary	Performed	Checked	Date
Performed by		Page		Revision
Checked by				
Date	16/04/2019			
			1 / 2	

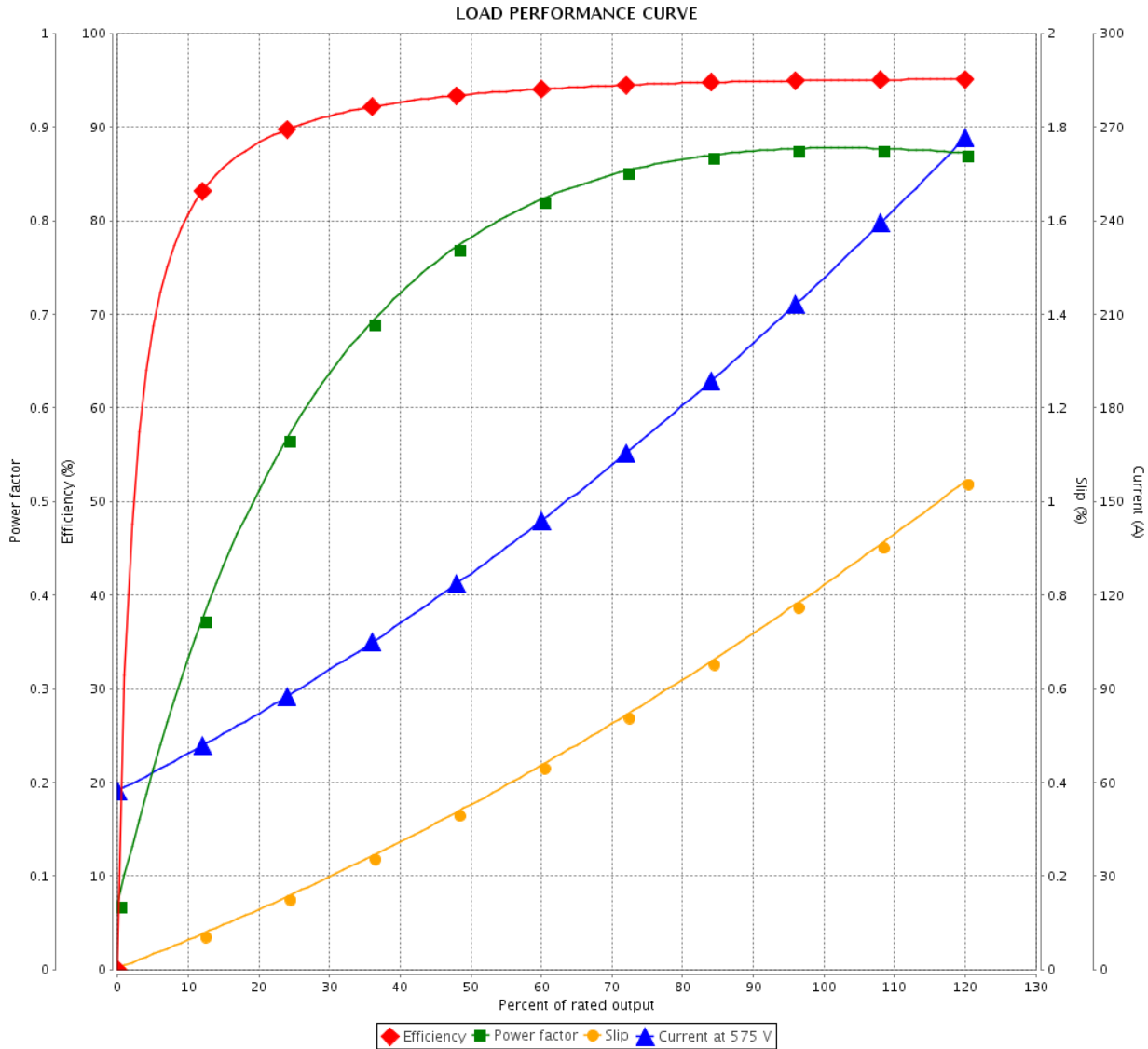
# LOAD PERFORMANCE CURVE



## Three Phase Induction Motor - Squirrel Cage

Customer : Dealers Industrial Equipment 800-469-3110  
 Customer reference : 25036OT3H445TS-W40

Product line : W40 NEMA Premium Efficiency Three-Phase      Product code : 14272876  
 Catalog # : 25036OT3H445TS-W40



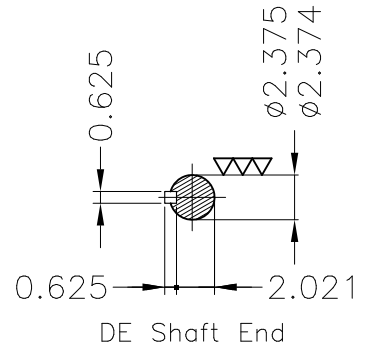
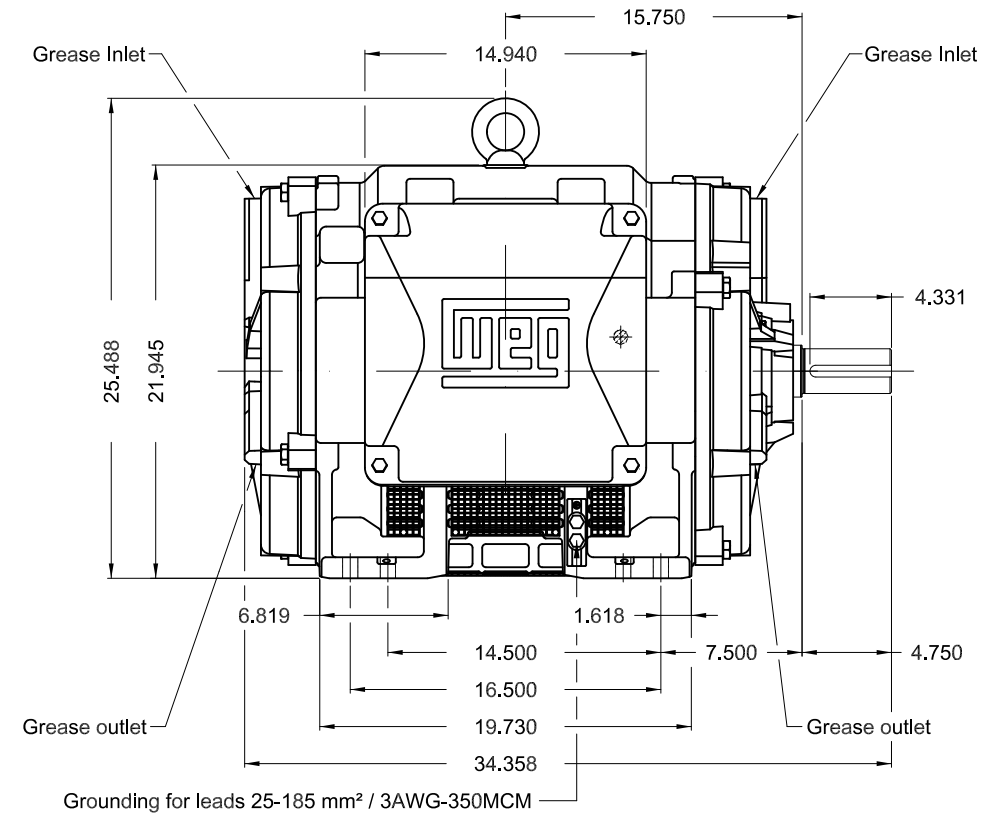
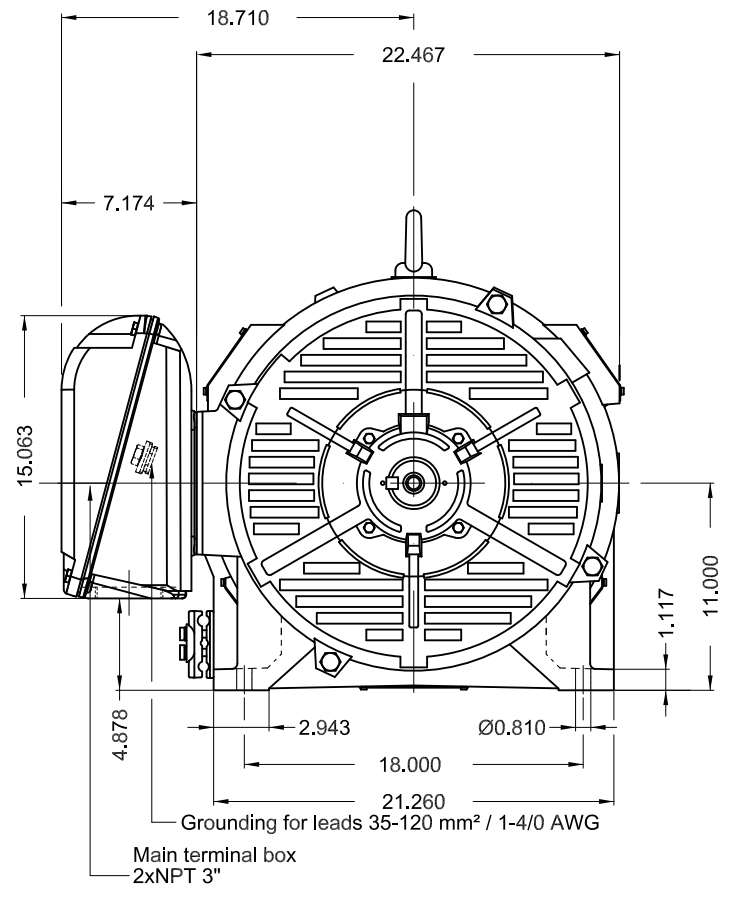
Performance : 575 V 60 Hz 2P

Rated current : 222 A	Moment of inertia (J) : 26.9 sq.ft.lb
LRC : 6.7	Duty cycle : Cont.(S1)
Rated torque : 363 ft.lb	Insulation class : F
Locked rotor torque : 150 %	Service factor : 1.15
Breakdown torque : 229 %	Temperature rise : 80 K
Rated speed : 3570 rpm	Design : B

Rev.	Changes Summary	Performed	Checked	Date
Performed by			Page 2 / 2	Revision
Checked by				
Date	16/04/2019			

Dimensões em polegada  
Dimensions in inches

THIS IS AN UPDATED REVISION, THE  
PREVIOUS ONE MUST BE DISREGARDED.



Color RAL 5009						
Painting plan 203A						
Mounting B3R(D)						
					SCALE	1:10
ECM	LOC	SUMMARY OF MODIFICATIONS			EXECUTED	CHECKED
EXECUTED	USERADMIN	THREE PHASE W40 MOTOR NEMA PREMIUM EFF				
CHECKED		FRAME 444/5TS IP23 ODP				
RELEASED		WEG code: 14272876				
REL DT	16.04.2019	WMO	Jaragua do Sul	Product Engineering	SHEET	1 / 1

250 HP 02 Poles 60Hz

A



MODEL 250360T3H445TS-W40  
MADE IN BRAZIL  
14272876

**WEG** **W40 NEMA**  
**CC029A Premium**  
*Inverter Duty Motor*



For use on PWM, VT 1000:1, CT 2:1, 1.0SF

PH 3	FR 444/5TS	HP(kW) 250.0(185.0)	Hz 60	
V 575	A 222	IP23		
NEMA NOM EFF	95.0 %	RPM 3570		
ENCL ODP	DUTY CONT.	INS. CL. F $\Delta$ T 80 K		
PF 0.88	DES B	CODE G	AMB. 40°C	→ 6314-C3 (27g) MOBIL POLYREX EM → 6212-Z-C3 (13g) 14418 h
SF 1.15	SFA 255	ALT 1000 m.a.s.l.	1378 Lbs	