

DATA SHEET



Three Phase Induction Motor - Squirrel Cage

Customer	: Dealers Industrial Equipment 800-469-3110				
Customer reference	: 25036OT3G445TSC-W40				
Product line	: W40 NEMA Premium Efficiency Three-Phase		Product code :	14272871	
			Catalog # :	25036OT3G445TSC-W40	
Frame	: 444/5TSC		Locked rotor time	: 28s (cold) 16s (hot)	
Output	: 250 HP (185 kW)		Temperature rise	: 80 K	
Poles	: 2		Duty cycle	: Cont.(S1)	
Frequency	: 60 Hz		Ambient temperature	: -20°C to +40°C	
Rated voltage	: 460 V		Altitude	: 1000 m.a.s.l.	
Rated current	: 278 A		Protection degree	: IP23	
L. R. Amperes	: 1863 A		Cooling method	: IC01 - ODP	
LRC	: 6.7x(Code G)		Mounting	: F-1	
No load current	: 72.0 A		Rotation ¹	: Both (CW and CCW)	
Rated speed	: 3570 rpm		Noise level ²	: 85.0 dB(A)	
Slip	: 0.83 %		Starting method	: Direct On Line	
Rated torque	: 363 ft.lb		Approx. weight ³	: 1488 lb	
Locked rotor torque	: 150 %				
Breakdown torque	: 229 %				
Insulation class	: F				
Service factor	: 1.15				
Moment of inertia (J)	: 26.9 sq.ft.lb				
Design	: B				
Output	25%	50%	75%	100%	
Efficiency (%)	93.0	93.6	94.5	95.0	
Power Factor	0.56	0.79	0.85	0.88	
	Foundation loads				
	Max. traction : 1848 lb				
	Max. compression : 3336 lb				
	<u>Drive end</u>		<u>Non drive end</u>		
Bearing type	: 6314 C3		: 6212 Z C3		
Sealing	: Without Bearing Seal		: Without Bearing Seal		
Lubrication interval	: 14418 h		: 20000 h		
Lubricant amount	: 27 g		: 13 g		
Lubricant type	: Mobil Polyrex EM				
Notes downloaded from http://dealerselectric.com					
This revision replaces and cancel the previous one, which must be eliminated. (1) Looking the motor from the shaft end. (2) Measured at 1m and with tolerance of +3dB(A). (3) Approximate weight subject to changes after manufacturing process. (4) At 100% of full load.			These are average values based on tests with sinusoidal power supply, subject to the tolerances stipulated in NEMA MG-1.		
Rev.	Changes Summary		Performed	Checked	Date
Performed by					
Checked by				Page	Revision
Date	16/04/2019			1 / 2	

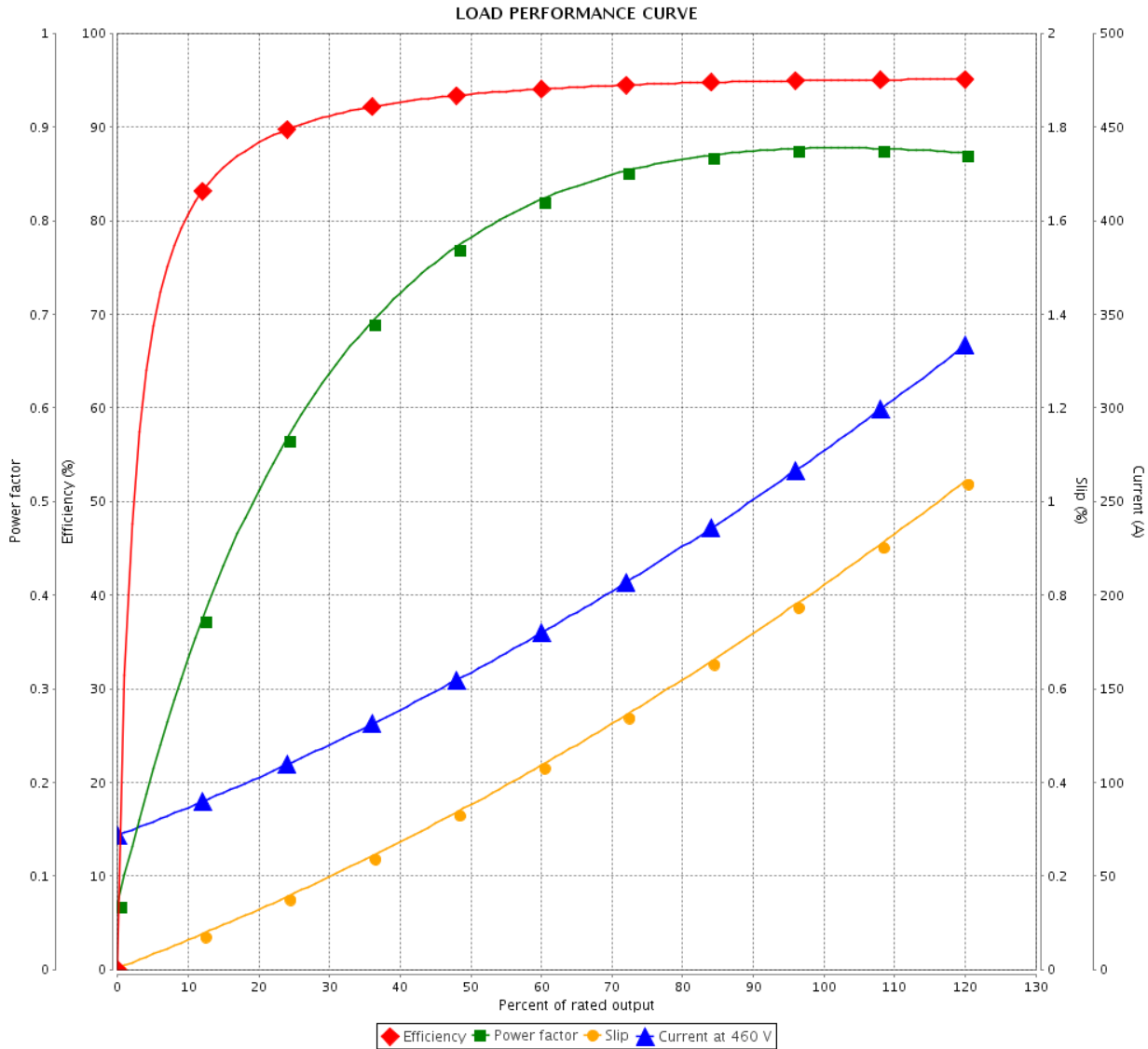
LOAD PERFORMANCE CURVE



Three Phase Induction Motor - Squirrel Cage

Customer : Dealers Industrial Equipment 800-469-3110
 Customer reference : 25036OT3G445TSC-W40

Product line : W40 NEMA Premium Efficiency Three-Phase Product code : 14272871
 Catalog # : 25036OT3G445TSC-W40



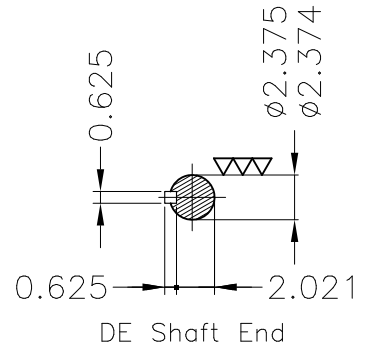
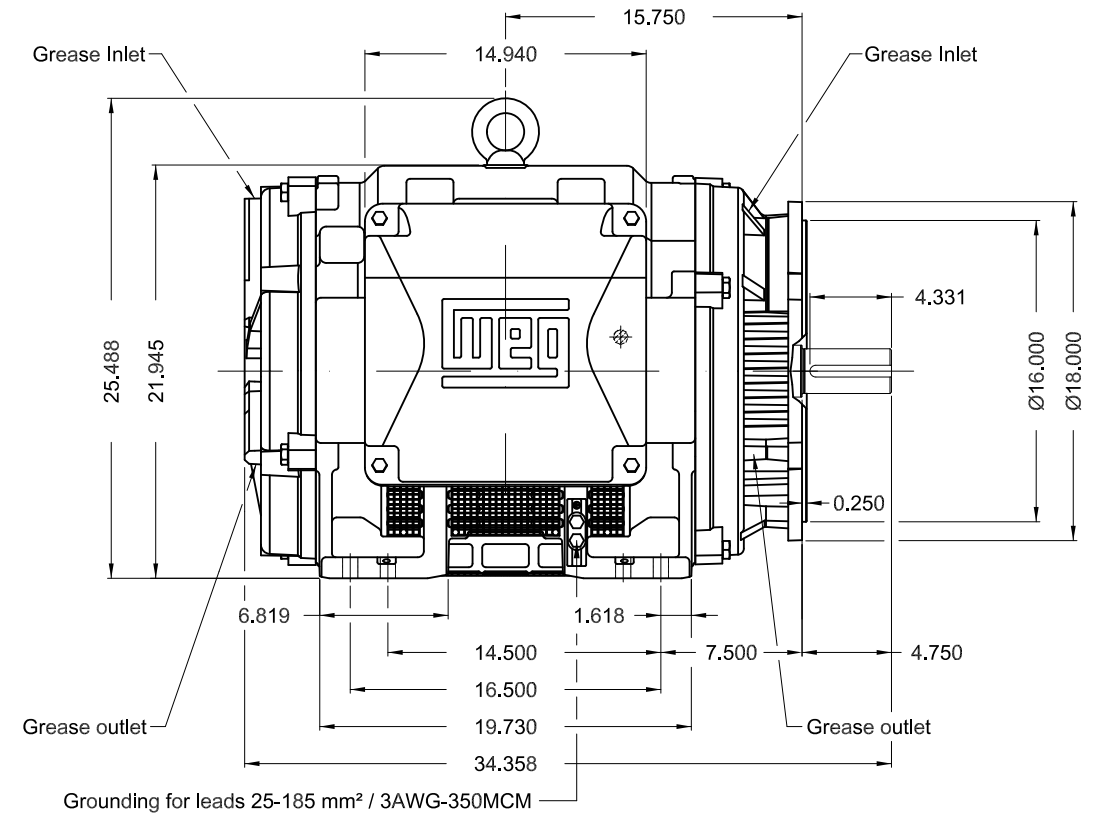
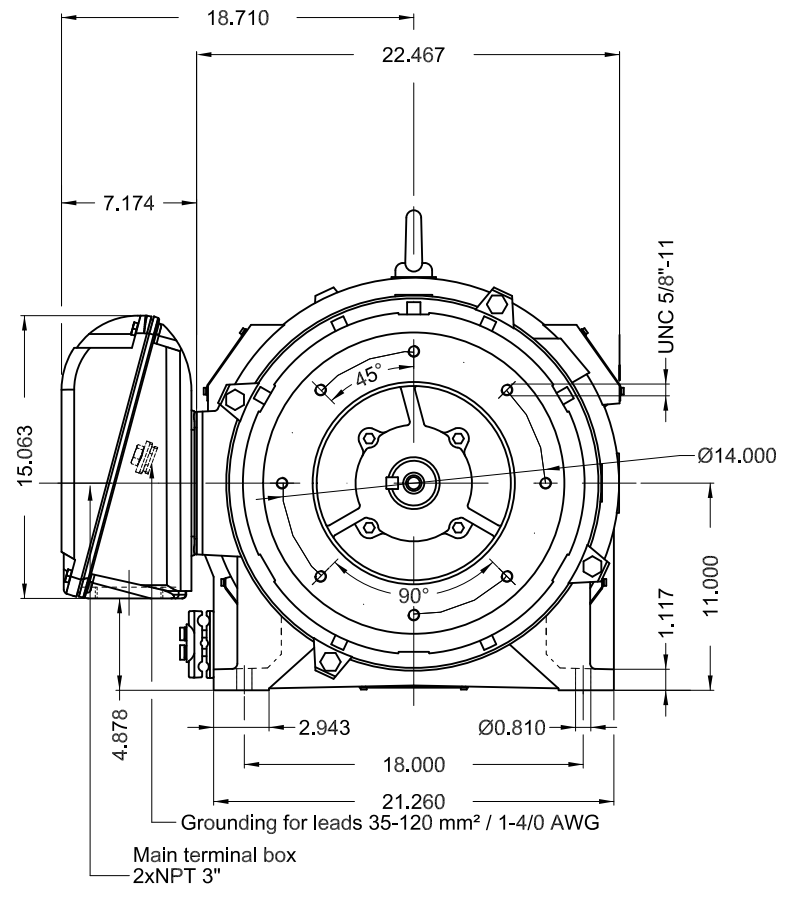
Performance : 460 V 60 Hz 2P

Rated current : 278 A	Moment of inertia (J) : 26.9 sq.ft.lb
LRC : 6.7	Duty cycle : Cont.(S1)
Rated torque : 363 ft.lb	Insulation class : F
Locked rotor torque : 150 %	Service factor : 1.15
Breakdown torque : 229 %	Temperature rise : 80 K
Rated speed : 3570 rpm	Design : B

Rev.	Changes Summary	Performed	Checked	Date
Performed by			Page 2 / 2	Revision
Checked by				
Date	16/04/2019			

Dimensões em polegada
Dimensions in inches

THIS IS AN UPDATED REVISION, THE
PREVIOUS ONE MUST BE DISREGARDED.



Color RAL 5009
Painting plan 203A
Mounting B34R(D)

					SCALE	1:10	
ECM	LOC	SUMMARY OF MODIFICATIONS	EXECUTED	CHECKED	RELEASED	DATE	VER
EXECUTED	USERADMIN	THREE PHASE W40 MOTOR NEMA PREMIUM EFF					
CHECKED		FRAME 444/5TSC IP23 ODP					
RELEASED		WEG code: 14272871					
REL DT	16.04.2019	WMO Jaragua do Sul	Product Engineering	SHEET	1 / 1		

250 HP 02 Poles 60Hz

A

