

# DATA SHEET



## Three Phase Induction Motor - Squirrel Cage

Customer : Dealers Industrial Equipment 800-469-3110		Customer reference : 25018OT3H445T-W40				
Product line : W40 NEMA Premium Efficiency Three-Phase		Product code : 14272869				
		Catalog # : 25018OT3H445T-W40				
Frame : 444/5T Output : 250 HP (185 kW) Poles : 4 Frequency : 60 Hz Rated voltage : 575 V Rated current : 231 A L. R. Amperes : 1480 A LRC : 6.4x(Code G) No load current : 84.8 A Rated speed : 1780 rpm Slip : 1.11 % Rated torque : 728 ft.lb Locked rotor torque : 210 % Breakdown torque : 240 % Insulation class : F Service factor : 1.15 Moment of inertia (J) : 50.9 sq.ft.lb Design : B	Locked rotor time : 16s (cold) 9s (hot) Temperature rise : 80 K Duty cycle : Cont.(S1) Ambient temperature : -20°C to +40°C Altitude : 1000 m.a.s.l. Protection degree : IP23 Cooling method : IC01 - ODP Mounting : F-1 Rotation <sup>1</sup> : Both (CW and CCW) Noise level <sup>2</sup> : 78.0 dB(A) Starting method : Direct On Line Approx. weight <sup>3</sup> : 1530 lb					
Output	25%	50%	75%	100%	Foundation loads	
Efficiency (%)	95.3	95.4	95.8	95.8	Max. traction	: 3954 lb
Power Factor	0.46	0.72	0.80	0.84	Max. compression	: 5484 lb
		<u>Drive end</u>		<u>Non drive end</u>		
Bearing type	:	6319 C3		6314 C3		
Sealing	:	Without Bearing Seal		Without Bearing Seal		
Lubrication interval	:	20000 h		20000 h		
Lubricant amount	:	45 g		27 g		
Lubricant type	:	Mobil Polyrex EM				
Notes downloaded from <a href="http://dealerselectric.com">http://dealerselectric.com</a>						
This revision replaces and cancel the previous one, which must be eliminated. (1) Looking the motor from the shaft end. (2) Measured at 1m and with tolerance of +3dB(A). (3) Approximate weight subject to changes after manufacturing process. (4) At 100% of full load.				These are average values based on tests with sinusoidal power supply, subject to the tolerances stipulated in NEMA MG-1.		
Rev.	Changes Summary			Performed	Checked	Date
Performed by						
Checked by					Page	Revision
Date	16/04/2019				1 / 2	

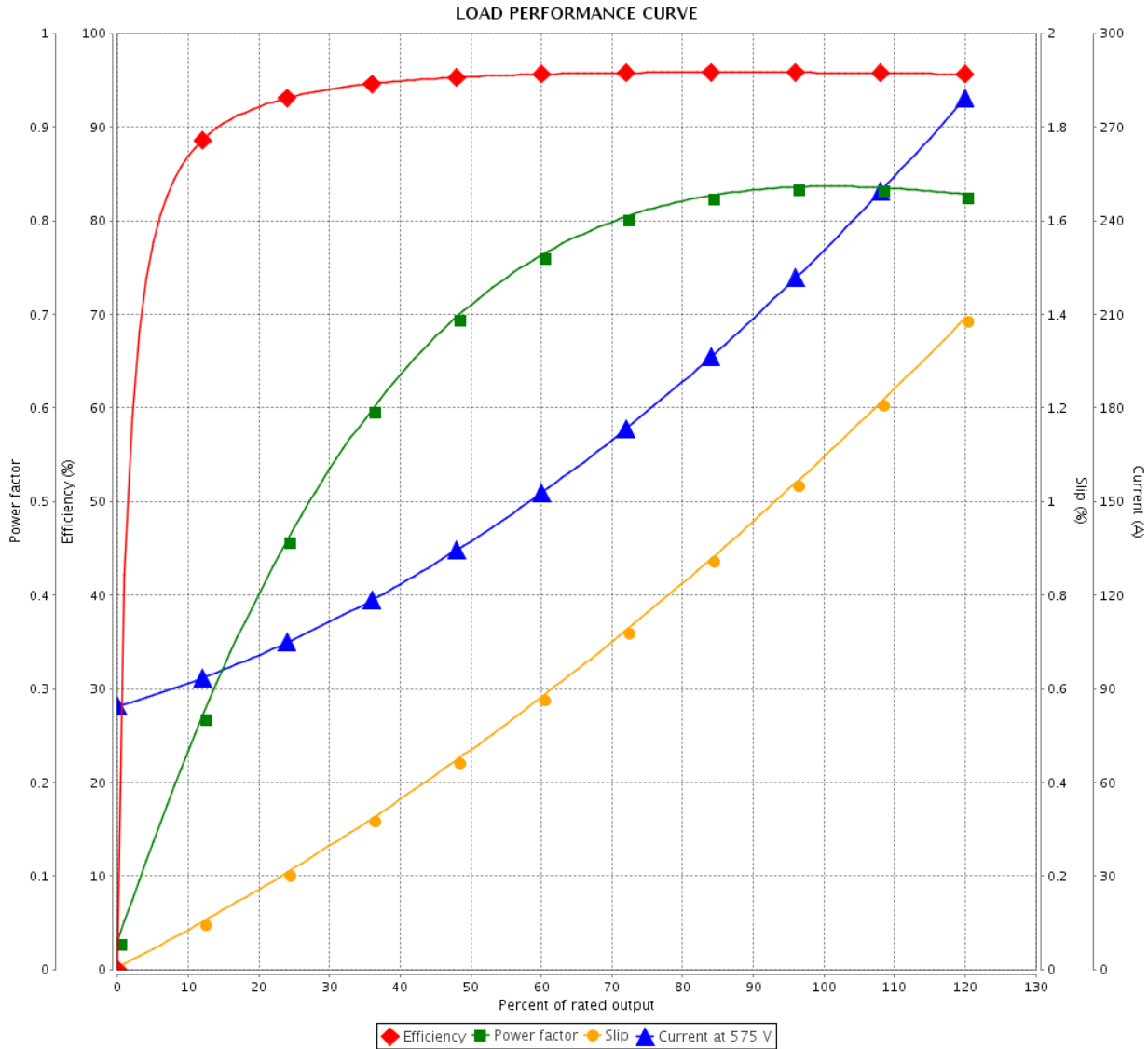
# LOAD PERFORMANCE CURVE



## Three Phase Induction Motor - Squirrel Cage

Customer : Dealers Industrial Equipment 800-469-3110  
 Customer reference : 25018OT3H445T-W40

Product line : W40 NEMA Premium Efficiency Three-Phase      Product code : 14272869  
 Catalog # : 25018OT3H445T-W40



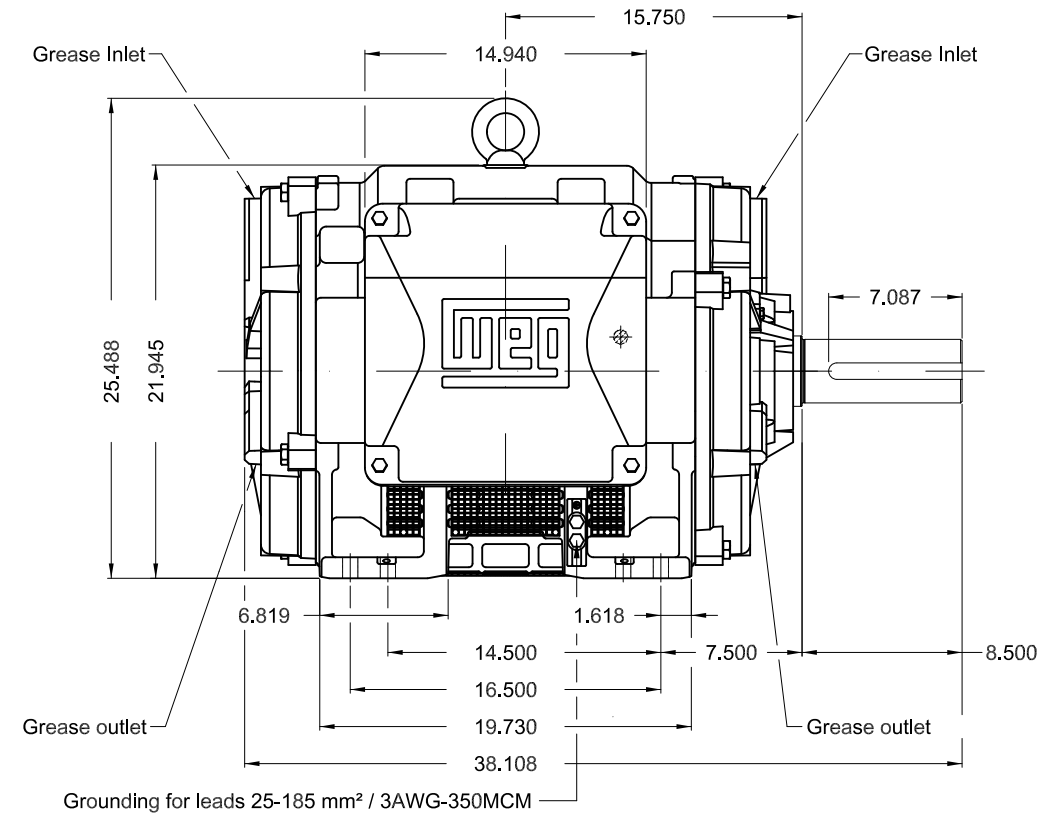
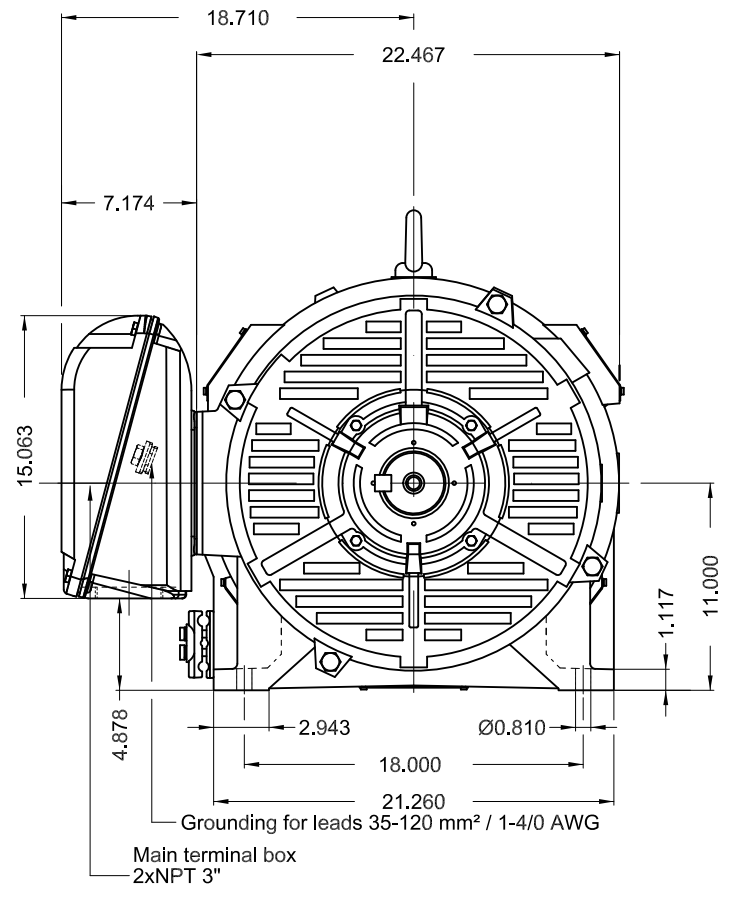
Performance : 575 V 60 Hz 4P

Rated current : 231 A	Moment of inertia (J) : 50.9 sq.ft.lb
LRC : 6.4	Duty cycle : Cont.(S1)
Rated torque : 728 ft.lb	Insulation class : F
Locked rotor torque : 210 %	Service factor : 1.15
Breakdown torque : 240 %	Temperature rise : 80 K
Rated speed : 1780 rpm	Design : B

Rev.	Changes Summary	Performed	Checked	Date
Performed by			Page 2 / 2	Revision
Checked by				
Date	16/04/2019			

Dimensões em polegada  
Dimensions in inches

THIS IS AN UPDATED REVISION, THE  
PREVIOUS ONE MUST BE DISREGARDED.



C3 NDE bearing						SCALE		1:10		
Color RAL 5009										
Painting plan 203A										
Mounting B3R(D)										
ECM		LOC		SUMMARY OF MODIFICATIONS		EXECUTED	CHECKED	RELEASED	DATE	VER
EXECUTED		USERADMIN		THREE PHASE W40 MOTOR NEMA PREMIUM EFF						
CHECKED				FRAME 444/5T IP23 ODP						
RELEASED				WEG code: 14272869						
REL DT		16.04.2019		WMO Jaragua do Sul		Product Engineering	SHEET	1 / 1		

250 HP 04 Poles 60Hz

A

